

## D03/HP03 EXPLOSION PROOF VALVES

### OIL & GAS APPLICATIONS

*Ideal for environments including gas and dust atmospheres present in petroleum exploration and production, chemical processing, and refineries.*

- **Flows to:**  
15 gpm (57 L/min) stand alone  
165 gpm (625 L/min) as pilot for larger 2-stage valves
- **Pressure:**  
D03 – 5000 psi (350 bar)  
HP03 – 10 000 psi (700 bar)
- **AC and DC options (120 VAC, 24 VDC)**
- **Global certifications — NEC 500, NEC 505, CEC/CSA, ATEX, IECEx**
- **Water and dust ingress rating IP66, NEMA 4X**
- **T4 temperature classification**
- **Zinc-nickel electroplating corrosion protection exceeds AMS 2417**
- **RoHS compliant**



# EXPLOSION PROOF SOLENOID RATINGS

Location	Governing Standard	Gas Ratings	Dust Ratings <sup>①</sup>
USA	NEC 500	Class I (Division 1) Group A, B, C, D, T4	Class II & III (Division 1) Group E, F, G, T4
<p><i>Safety ratings in the US are governed under the National Electrical Code (NEC). There are two separate classification systems (NEC 500 and NEC 505). To ensure universal acceptance, MSA HAZ-LOC coils have been approved under both systems.</i></p>			
USA	NEC 505	Class I (Zone 1) AEx d IIC T4 Gb	Class II (Zone 21) AEx tb IIIC T4 Db
<p><i>Mandatory for Gulf of Mexico Class and Zone Rating. Most International markets require recognition under the International Electrotechnical Committee (IEC) Ex scheme.</i></p>			
Canada	CEC/CSA	Ex d IIC T4 Gb (Zone 1)	Ex tb IIIC T4 Db (Zone 21)
<p><i>Canadian safety ratings are regulated by the Canadian Electrical Code (CEC), closely following the US-NEC Standards. Similar to NEC 500, NEC 505 and ATEX Gas and Dust ratings.</i></p>			
Europe	ATEX	Ex II 2 G   EX d IIC T4 Gb (Zone 1)	Ex II 2 D   EX tb IIIC T4 Db (Zone 21)
<p><i>Similar to NEC 505 Gas and Dust ratings.</i></p>			
International	IECEX	Ex d IIC T4 Gb (Zone 1)	Ex tb IIIC T4 Db (Zone 21)
<p><i>Similar to ATEX Gas and Dust ratings.</i></p>			

① Consult Dynex Sales for Dust Rated solenoid availability.

RECOGNIZED COMPONENT

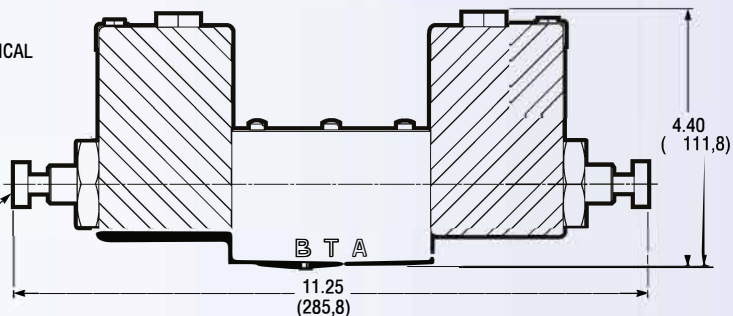
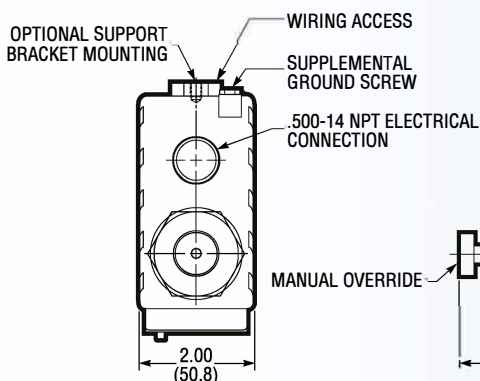
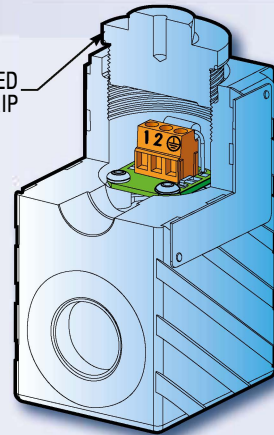


**Intertek**  
**5010058**

"EP" solenoids with special enclosures are approved by UL and CSA for use in hazardous locations.

Conforms to ANSI/ISA STD 60079-31, UL STDS 1203, 50, 50E, 60079-0 & 60079-1. Certified to CAN/CSA STD C22.2 Nos. 30, 25, 0.4, 0.5, 60079-0, 60079-1 & 60079-31.

LARGE, ENVIRONMENTALLY SEALED ACCESS TO TERMINAL STRIP



**HANSATMP S.r.l.**

Via M. L. King, 6 – 41122 Modena (ITALY)

Tel.: +39 059 415 711

Fax: +39 059 415 730

E-mail: [hansatmp@hansatmp.it](mailto:hansatmp@hansatmp.it)

Website: [www.hansatmp.it](http://www.hansatmp.it)

Certified Company

ISO 9001:2015 – ISO 14001:2015



Share Capital: € 300.000,00

VAT Number: IT01167360369

REA Number: MO-225785