

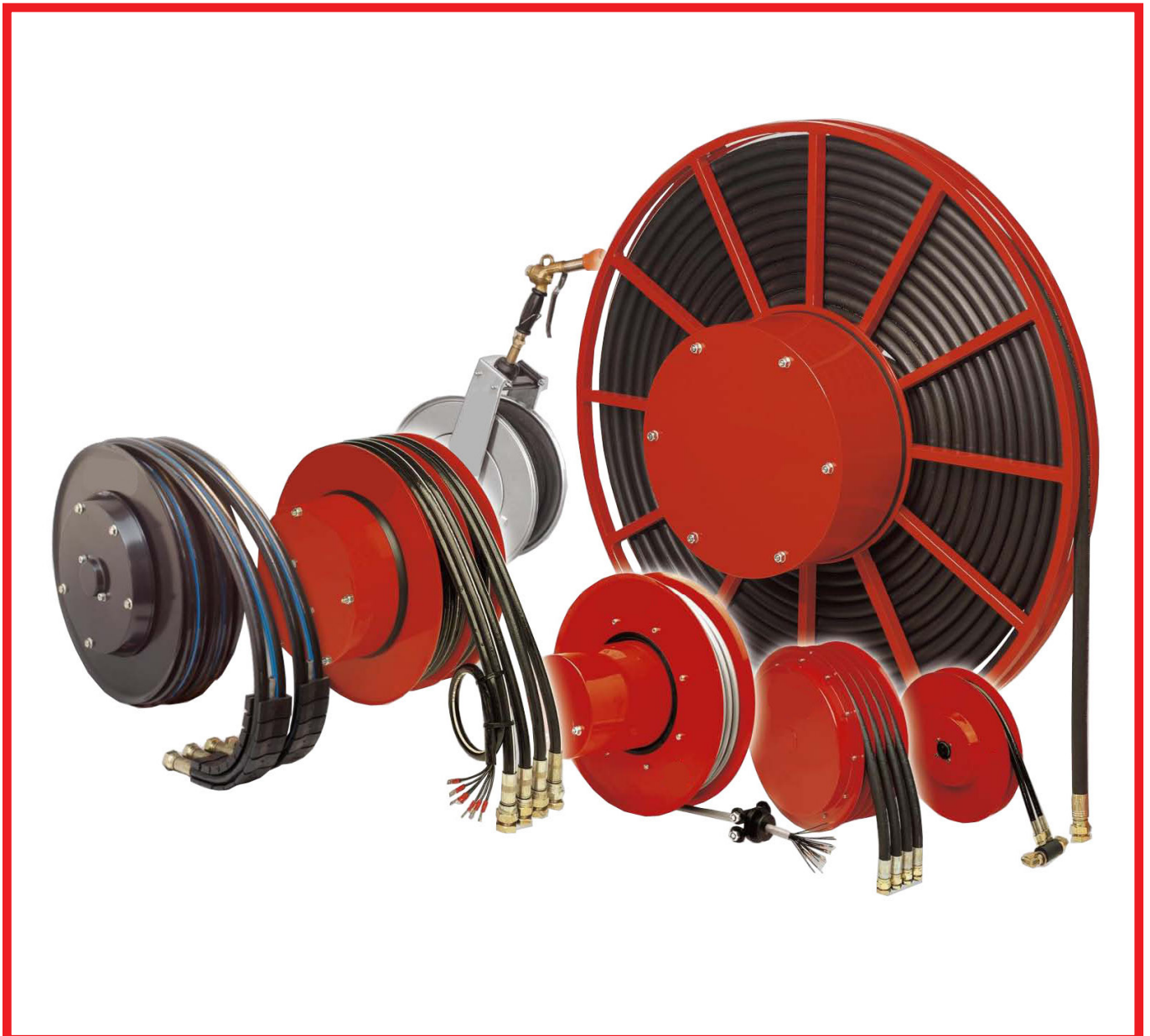


# HANSA-TMP

MANUFACTURING YOUR SUCCESS

HT 44 / A / 306 / 0621 / IE












## Avvolgitubo oleodinamici Hydraulic Hose and Cable Reels





<b>INDICE INDEX</b>						
<b>AVVOLGITUBO OLEODINAMICI / HYDRAULIC HOSE REELS</b>						
HOSE		REF.	l/min max.	Pag.		
	2 HOSES	TWIN	AG	COMPACT	30	6
			AG	STANDARD	40	7 - 8
			AG/F	FLANGE SUPPORT	40	11 - 12
			AG.19	BIG FLOW	80	15
			AG.25	LARGE FLOW	135	16
			LS	LOCK SYSTEM	40	40
	2 - SINGLE	A2	STANDARD	40	9 - 10	
		A2/F	FLANGE SUPPORT	40	13 - 14	
		A2.19	BIG FLOW	80	17	
		A2.25	LARGE FLOW	135	18	
	4 HOSES	2 - TWIN	A4	COMPACT	25	19
			A4	STANDARD	40	20 - 21
			A4.12	MID FLOW	40	24
			M4	DOUBLE SPRING	40	25
			RT2 D	MANUAL	30	45
	4 - SINGLE	S4	STANDARD	40	22 - 23	
A4.19		BIG FLOW	80	26		
3 HOSES	3 - SINGLE	TRIPLE	A3	STANDARD	40	27 - 28
			S3	STANDARD	40	29 - 30
			A3.19	BIG FLOW	80	31
			A3.25	LARGE FLOW	135	32
1 HOSE	1 - SINGLE	SINGLE	S1	SINGLE SPIRAL	135	33 - 34
			M1	MULTI SPIRAL	135	35
			A1.25	SINGLE SPIRAL	135	36
			RT1 S	MANUAL	40	45
	COMBINED	HOSE + CABLE	AG/E	2 HOSES + CABLE	40	41 - 42
			A3/E	3 HOSES + CABLE	40	43
			A4/E	4 HOSES + CABLE	40	44
	5 - 6 HOSES	MULTI HOSE	A5	5 HOSES	40	37 - 38
			A6	6 HOSES	30	39

## INDICE INDEX

AVVOLGICAVO CABLE REELS		Ref.	Pag.	AVVOLGITUBO PER USI VARI GENERIC PURPOSE HOSE REELS		Ref.	Pag.
	50V - 1 A AUTOMATIC	CR 025	50				
	50V - 4A AUTOMATIC	CR 10	51-52		PER VEICOLI DI PRONTO INTERVENTO RESCUE TOOLS	RT1 RT2	45
	50V - 6A AUTOMATIC	CR 15	53-54		ARIA, ACQUA, OLIO, GRASSO AIR, WATER, OIL, GREASE	9000	46
	50V - 12A AUTOMATIC	CR 25	55				
	230V - 400V AUTOMATIC	6000	56-57		ARIA, ACQUA, OLIO, GASOLIO AIR, WATER, OIL, DIESEL	9100	47
	AVVOLGICAVO SERIE "LR" "LR" SERIES CABLE-REEL	LR	58-59		ARIA AIR	800	48
	AVVOLGICAVO SERIE "500" "500" SERIES CABLE REEL	500	60		GAS DI SALDATURA WELDING GAS	GAS	49
	12 - 380V AUTOMATICO CON BLOCCO 12 - 380V AUTOMATIC WITH LOCK SYSTEM	700	61				



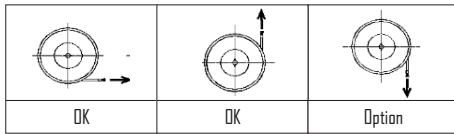
INDICE INDEX					
TUBI E CAVI HOSES AND CABLES	Ref.	Pag.	ACCESSORI ACCESSORIES	Ref.	Pag.
 TUBI SINGOLI SINGLE HOSES	TU 1	62	 GIUNTI GIREVOLI SWIVEL BLOCKS	GR2 GR4	67 69
 TUBI GEMELLATI TWIN HOSES	TU 2	63	 GIUNTI GIREVOLI SWIVEL BLOCKS	9900	68
 TUBI A 3 E 4 VIE 3 AND 4 WAYS HOSES	TU 3 TU 4	64	 GIUNTI SNODATI CROCODILE	CDL	70
 TUBI A 2 VIE + CAVO 2 WAYS HOSES + CABLE	TU3/E	65	 FERMA TUBO HOSE STOPPER	STP	71
 TUBI BINATI + CAVO TWIN HOSES + CABLE	TU2+E	65	 GUIDATUBO HOSE GUIDES	GU	72
 TUBI 4 VIE + CAVO 4 WAYS HOSES + CABLE	TU4+E	65	 PULEGGE PULLEYS	PLL	73
 CAVI ELETTRICI ELECTRICAL CABLES	CABLE	66	 ACCESSORI PER SERIE 9000 e 9100 ACCESSORIES FOR SERIES 9000 and 9100	ACC	74
			 CALZE METALLICHE TIRACAVI STEEL WIRE CABLE GRIP	CLZ	74

## AVVOLGITUBO GEMELLATO A 2 VIE IDRAULICHE

## TWIN HOSE REEL

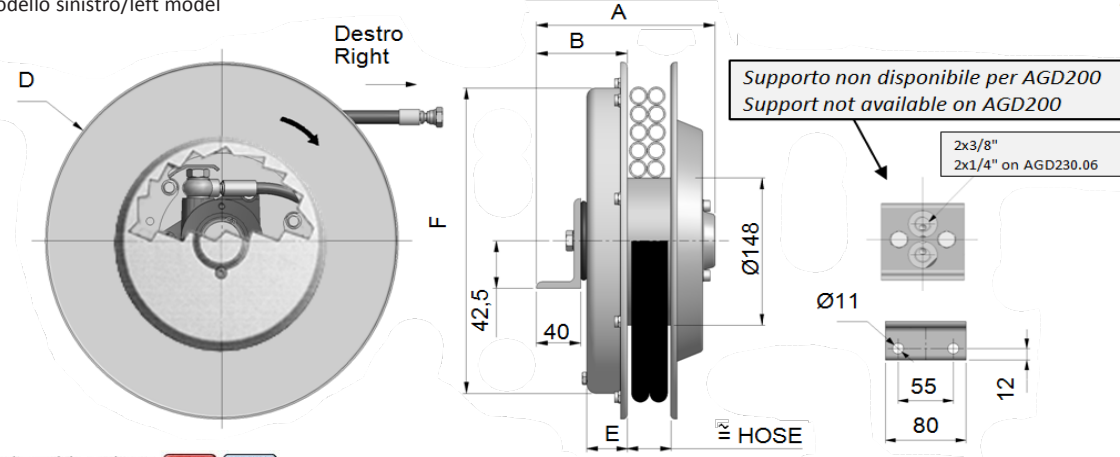
## AG Compact

Max flow rate: 30 l/min  
 Working pressure: standard 300 bar  
 optional 400 bar  
 Max hose speed: 30 m/min  
 Temperature range: -20/+80°C  
 Optional temperature range: -40/+80°C



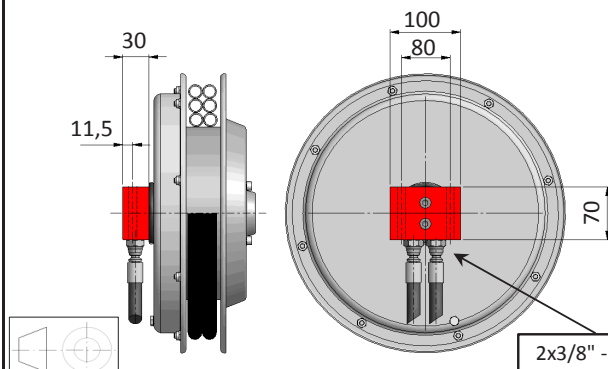
**Corsa verticale verso il basso opzionale**  
**Vertical downwards is optional**

AGD340=modello destro/right model  
 AGS340=modello sinistro/left model



Disegno tecnico disponibile a richiesta   
 Technical drawing available on request

Modello destro Right model	A	B	D	E	F	Senza tubo Without hose	Con tubo / With hose R7-R8-B1					Con tubo / With hose B2			
							Ø	Lungh. totale Total length	Lungh. utile Usable length	R7 XX=R7	R8 XX=R8	B1 XX=B1	Lungh. totale Total length	Lungh. utile Usable length	B2 XX=B2
	mm					kg	m	m				m	m		
AGD200.05.XX	133	65	200	30	195	10	3/16"	2.5	2.3				-	-	
AGD200.06.XX							1/4"	1.5	1.3				-	-	
AGD230.05.XX	141	75	235	30	228	11	3/16"	3.0	2.7				-	-	
AGD230.06.XX							1/4"	2.2	1.9				-	-	
AGD230.08.XX							5/16"	2.0	1.7				-	-	
AGD230.10.XX							3/8"	2.0	1.7				-	-	
AGD230.10.12	-	-	-	-	-	-	1/2"	1.2	0.9				-	-	
AGD270.05.XX	154	75	275	30	272	12	3/16"	4.5	4.2				-	-	
AGD270.06.XX							1/4"	4.0	3.7				-	-	
AGD270.08.XX							5/16"	3.2	2.9				2.6	2.3	
AGD270.10.XX							3/8"	2.8	2.5				2.5	2.2	
AGD295.06.XX	160	75	295	35	272	13	1/4"	4.7	4.4				-	-	
AGD295.08.XX							5/16"	4.2	3.9				3.5	3.2	
AGD295.10.XX							3/8"	3.6	3.3				3.0	2.7	
AGD320.06.XX	160	82	325	37	272	14	1/4"	5.5	5.2				-	-	
AGD320.08.XX							5/16"	5.0	4.7				4.0	3.7	
AGD320.10.XX							3/8"	4.5	4.2				4.0	3.7	
AGD340.06.XX	160	82	340	37	272	14	1/4"	6.0	5.7				-	-	
AGD340.08.XX							5/16"	5.3	5				4.5	4.2	
AGD340.10.XX							3/8"	4.6	4.3				4.3	4.0	



**Supporto per AGD200 (e a richiesta su altri modelli)**  
**Support for AGD200 (& optional upon request on other models)**

Aggiungere **"/B"** al codice dell'articolo  
 Add **"/B"** to the article code

Ref. **/B** Ex.: AGD 295.10.R7 **/B**

2x3/8" - (2x1/4" on AGD200)

0

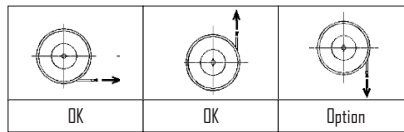
## AVVOLGITUBO GEMELLATO A 2 VIE IDRAULICHE

## TWIN HOSE REEL

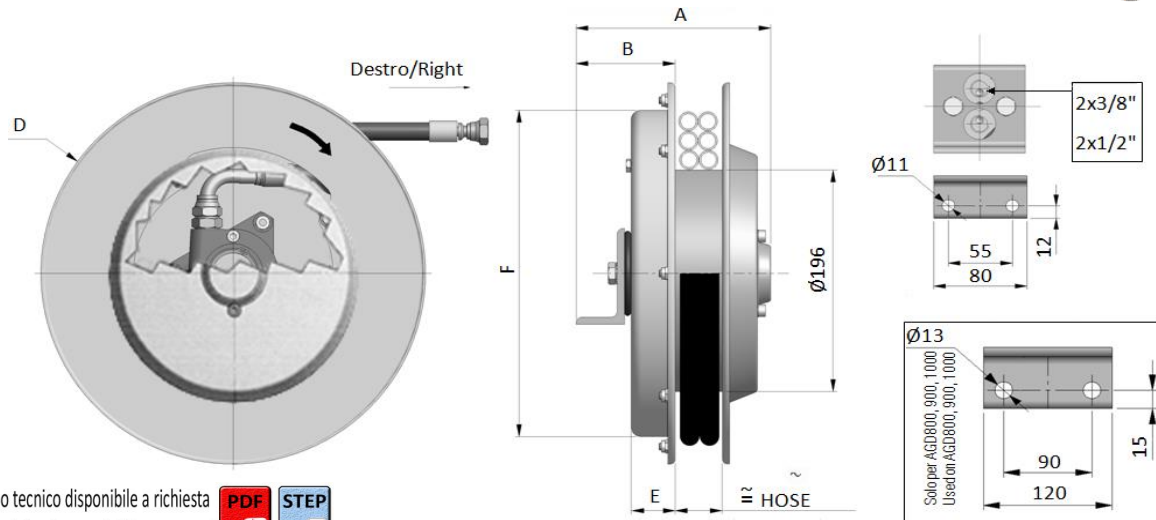
## AG - Standard

Max flow rate: 40 l/min  
 Working pressure: standard 300 bar  
 optional 400 bar  
 Max hose speed: 30 m/min  
 Temperature range: -20/+80°C  
 Optional temperature range: -40/+80°C

AGD400=modello destro/right model  
 AGS400=modello sinistro/left model



Corsa verticale verso il basso opzionale  
 Vertical downwards is optional



Disegno tecnico disponibile a richiesta  
 Technical drawing available on request



Modello destro Right model	A	B	D	E	F	Senza tubo Without hose	Tubo/Hose		Con tubo - with hose							
							Ø	Lungh. totale	Lungh. utile	R7	R8	B1	B2	T2		
								Total length	Usable length	XX=R7	XX=R8	XX=B1	XX=B2	XX=T2		
AGD296.06.XX							1/4"	3.0	2.7							
AGD296.08.XX							5/16"	2.3	2.0							
AGD296.10.XX	161	75	295	35	291	13	3/8"	2.3	2.0							
AGD296.12.XX							1/2"	1.5	1.2							
AGD321.06.XX							1/4"	4.0	3.7							
AGD321.08.XX							5/16"	3.2	2.9							
AGD321.10.XX	161	82	325	37	272	14	3/8"	3.3	3.0							
AGD321.12.XX							1/2"	2.5	2.2							
AGD341.06.XX							1/4"	5.0	4.7							
AGD341.08.XX							5/16"	4.2	3.9							
AGD341.10.XX	161	82	340	37	272	14	3/8"	4.0	3.7							
AGD341.12.XX							1/2"	2.5	2.2							
AGD370.06.XX							1/4"	6.0	5.7							
AGD370.08.XX							5/16"	5.3	5.0							
AGD370.10.XX	161	82	370	37	272	14,5	3/8"	4.5	4.2							
AGD370.12.XX							1/2"	3.5	3.2							
AGD400.06.XX							1/4"	7.3	7.0							
AGD400.08.XX							5/16"	6.5	6.2							
AGD400.10.XX	161	82	400	47	322	15	3/8"	5.6	5.3							
AGD400.12.XX							1/2"	4.5	4.2							
AGD420.06.XX							1/4"	8.6	8.1							
AGD420.08.XX							5/16"	8.0	7.5							
AGD420.10.XX	161	82	420	47	322	19	3/8"	6.7	6.2							
AGD420.12.XX							1/2"	4.7	4.2							
AGD470.06.XX							1/4"	11.5	11.0							
AGD470.08.XX							5/16"	10.0	9.5							
AGD470.10.XX	161	82	478	47	322	21	3/8"	9.5	9.0							
AGD470.12.XX							1/2"	7.5	7.0							

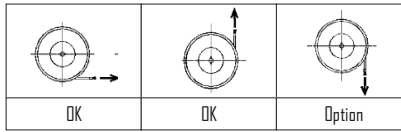
## AVVOLGITUBO GEMELLATO A 2 VIE IDRAULICHE

## TWIN HOSE REEL

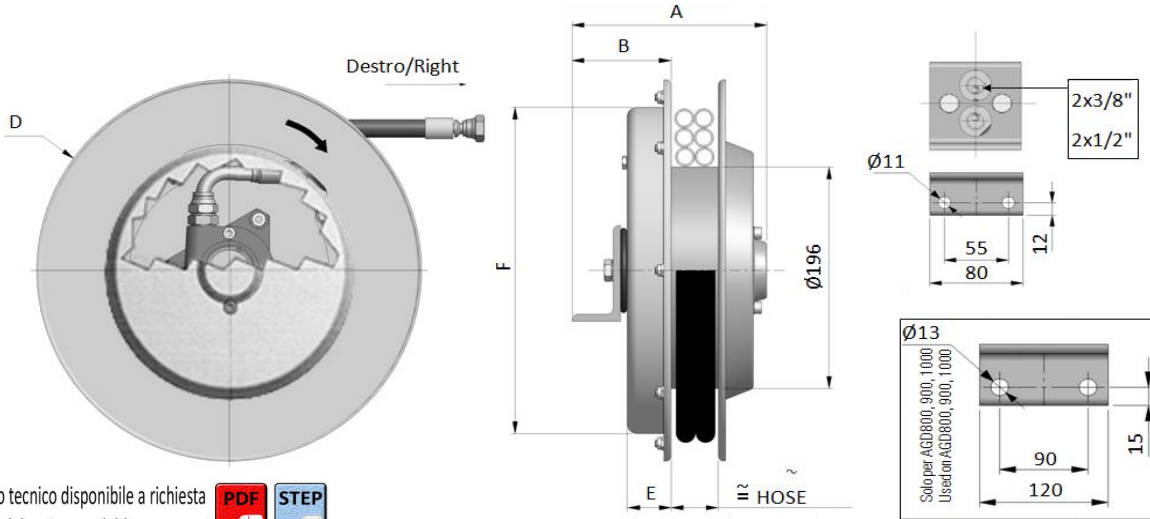
## AG - Standard

Max flow rate: 40 l/min  
 Working pressure: standard 300 bar  
 optional 400 bar  
 Max hose speed: 30 m/min  
 Temperature range: -20/+80°C  
 Optional temperature range: -40/+80°C

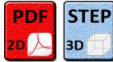
AGD400=modello destro/right model  
 AGS400=modello sinistro/left model



**Corsa verticale verso il basso opzionale  
 Vertical downwards is optional**



Disegno tecnico disponibile a richiesta  
 Technical drawing available on request



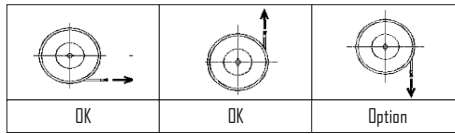
Modello destro Right model	A	B	D	E	F	Senza tubo Without hose	Tubo/Hose		Con tubo - with hose					
							Ø	Lungh.totale	Lungh.utile	R7	R8	B1	B2	T2
								Total length	Usable length	XX=R7	XX=R8	XX=B1	XX=B2	XX=T2
AGD520.06.XX	171	92	520	47	422	23	1/4"	14.5	14.0					
AGD520.08.XX							5/16"	12.5	12.0					
AGD520.10.XX							3/8"	11.2	10.7					
AGD520.12.XX							1/2"	9.0	8.5					
AGD570.06.XX	171	92	570	47	422	28	1/4"	17.5	17.0					
AGD570.08.XX							5/16"	15.5	15.0					
AGD570.10.XX							3/8"	13.5	13.0					
AGD570.12.XX							1/2"	10.7	10.2					
AGD600.06.XX	171	92	620	47	422	34	1/4"	21.0	20.5					
AGD600.08.XX							5/16"	17.0	16.5					
AGD600.10.XX							3/8"	16.0	15.5					
AGD600.12.XX							1/2"	12.5	12.0					
AGD650.06.XX	181	102	650	57	422	37	1/4"	22.5	22.0					
AGD650.08.XX							5/16"	19.5	19.0					
AGD650.10.XX							3/8"	17.5	17.0					
AGD650.12.XX							1/2"	14.5	14.0					
AGD700.06.XX	181	102	720	57	532	40	1/4"	27.0	26.5					
AGD700.08.XX							5/16"	22.0	21.5					
AGD700.10.XX							3/8"	20.0	19.5					
AGD700.12.XX							1/2"	16.0	15.5					
AGD800.08.XX	226	122	820	67	532	47	5/16"	30.0	29.0					
AGD800.10.XX							3/8"	26.0	25.0					
AGD800.12.XX							1/2"	21.0	20.0					
AGD900.08.XX	226	122	920	67	532	60	5/16"	38.0	37.0					
AGD900.10.XX							3/8"	34.0	33.0					
AGD900.12.XX							1/2"	28.0	27.0					
AGD1000.10.XX	232	126	1030	67	687	75	3/8"	36.0	35.0					
AGD1000.12.XX							1/2"	35.0	34.0					

## AVVOLGITUBO A 2 VIE IDRAULICHE

## 2 PORT HOSE REEL

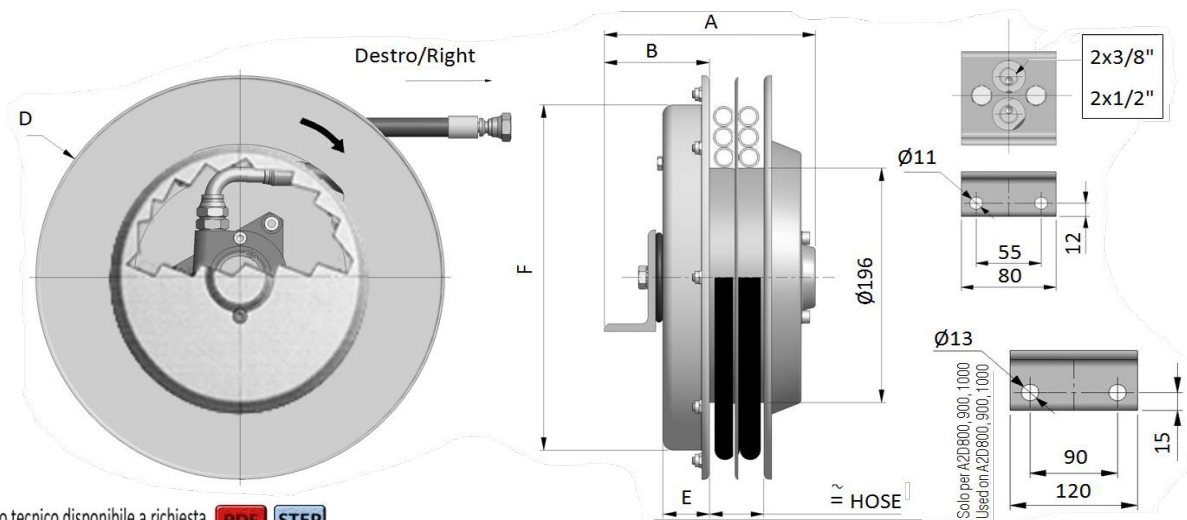
# A2

Max flow rate: 40 l/min  
 Working pressure: standard 300 bar  
 optional 400 bar  
 Max hose speed: 30 m/min  
 Temperature range: -20/+80°C  
 Optional temperature range: -40/+80°C



A2D400=modello destro/right model  
 A2S400=modello sinistro/left model

**Corsa verticale verso il basso opzionale**  
**Vertical downwards is optional**



Disegno tecnico disponibile a richiesta   
 Technical drawing available on request

Modello destro Right model	A	B	D	E	F	Senza tubo Without hose	Ø	Con tubo - with 1SN / 2SC hose				Con tubo - with 4SP hose			
								Lungh.totale Total length	Lungh. Utile Usable length	1SN	2SC	Lungh.totale Total length	Lungh.utile Usable length	4SP	
										XX=1SN	XX=2SC				XX=4SP
							m		m		m		m		
A2D296.06.XX							1/4"	2.3	2.0			-	-		
A2D296.08.XX	161	75	295	35	291	13	5/16"	1.4	1.1			-	-		
A2D296.10.XX							3/8"	1.5	1.2			-	-		
A2D296.12.XX							1/2"	1.5	1.2			-	-		
A2D321.06.XX	161	82	325	37	272	14	1/4"	3.3	3.0			-	-		
A2D321.08.XX							5/16"	2.3	2.0			-	-		
A2D321.10.XX							3/8"	2.4	2.1			-	-		
A2D321.12.XX							1/2"	1.5	1.2			-	-		
A2D341.06.XX	161	82	340	37	272	14	1/4"	3.3	3.0			-	-		
A2D341.08.XX							5/16"	3.3	3.0			-	-		
A2D341.10.XX							3/8"	2.4	2.1			-	-		
A2D341.12.XX							1/2"	2.5	2.2			-	-		
A2D370.06.XX	161	82	370	37	272	15	1/4"	4.3	4.0			-	-		
A2D370.08.XX							5/16"	4.4	4.1			-	-		
A2D370.10.XX							3/8"	3.5	3.2			-	-		
A2D370.12.XX							1/2"	3.6	3.3			-	-		
A2D400.06.XX	161	82	400	47	322	15	1/4"	5.5	5.2			-	-		
A2D400.08.XX							5/16"	5.7	5.4			-	-		
A2D400.10.XX							3/8"	4.6	4.3			-	-		
A2D400.12.XX							1/2"	3.6	3.3			-	-		
A2D420.06.XX	161	82	420	47	322	19	1/4"	6.7	6.2			-	-		
A2D420.08.XX							5/16"	5.7	5.2			-	-		
A2D420.10.XX							3/8"	4.6	4.3			-	-		
A2D420.12.XX							1/2"	3.6	3.1			-	-		
A2D470.06.XX	161	82	478	47	322	21	1/4"	9.5	9.0			-	-		
A2D470.08.XX							5/16"	8.4	7.9			-	-		
A2D470.10.XX							3/8"	7.3	6.8			-	-		
A2D470.12.XX							1/2"	6.3	5.8			-	-	3.6	3.3

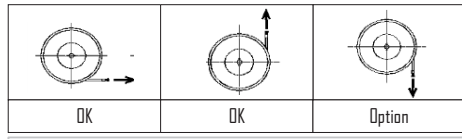


## AVVOLGITUBO A 2 VIE IDRAULICHE

## 2 PORT HOSE REEL

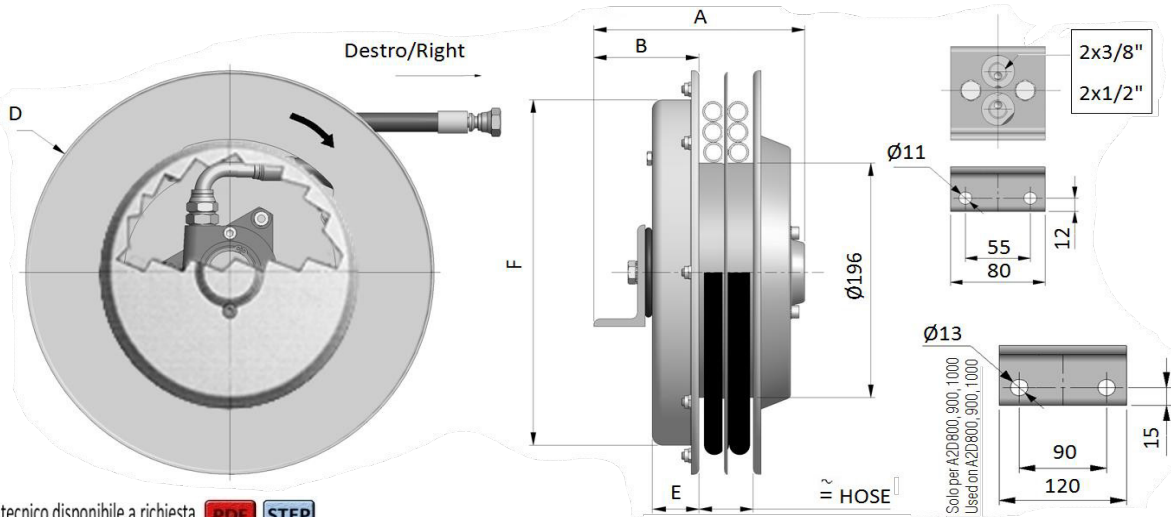
# A2

Max flow rate: 40 l/min  
 Working pressure: standard 300 bar  
 optional 400 bar  
 Max hose speed: 30 m/min  
 Temperature range: -20/+80°C  
 Optional temperature range: -40/+80°C



A2D400=modello destro/right model  
 A2S400=modello sinistro/left model

**Corsa verticale verso il basso opzionale**  
**Vertical downwards is optional**



Disegno tecnico disponibile a richiesta  
 Technical drawing available on request



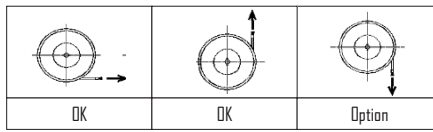
Modello destro Right model	A	B	D	E	F	Senza tubo Without hose		Ø	Con tubo - with 1SN / 2SC hose				Con tubo - with 4SP hose							
						kg	Lungh.totale Total length		Lungh. Utile Usable length	1SN	2SC	Lungh.totale Total length	Lungh.utile Usable length	4SP						
										XX=1SN	XX=2SC				XX=4SP					
mm							m	m			m	m								
A2D520.06.XX	171	92	520	47	322	23		1/4"	11.1	10.6			-	-						
A2D520.08.XX											5/16"	9.9	9.4			-	-			
A2D520.10.XX										422		3/8"	8.9	8.4			-	-		
A2D520.12.XX												1/2"	7.9	7.4			5.0	4.7		
A2D570.06.XX	171	92	570	47	422	28		1/4"	14.5	14.0			-	-						
A2D570.08.XX												5/16"	11.6	11.1			-	-		
A2D570.10.XX													3/8"	10.6	10.1			-	-	
A2D570.12.XX													1/2"	9.7	9.2			6.7	6.2	
A2D600.06.XX	171	92	620	47	422	34		1/4"	16.3	15.8			-	-						
A2D600.08.XX												5/16"	15.2	14.7			-	-		
A2D600.10.XX													3/8"	12.3	11.8			-	-	
A2D600.12.XX													1/2"	11.4	10.9			8.5	8.0	
A2D650.06.XX	181	102	650	57	422	37		1/4"	18.3	17.8			-	-						
A2D650.08.XX												5/16"	17.2	16.7			-	-		
A2D650.10.XX													3/8"	14.3	13.8			-	-	
A2D650.12.XX													1/2"	11.8	11.3			10.5	10.0	
A2D700.06.XX	181	102	720	57	532	40		1/4"	22.5	22.0			-	-						
A2D700.08.XX												5/16"	19.3	18.8			-	-		
A2D700.10.XX													3/8"	18.5	18.0			-	-	
A2D700.12.XX													1/2"	15.0	14.5			12.6	12.1	

## AVVOLGITUBO GEMELLATO A 2 VIE IDRAULICHE "FLANGIA"

## TWIN HOSE REEL "FLANGE"

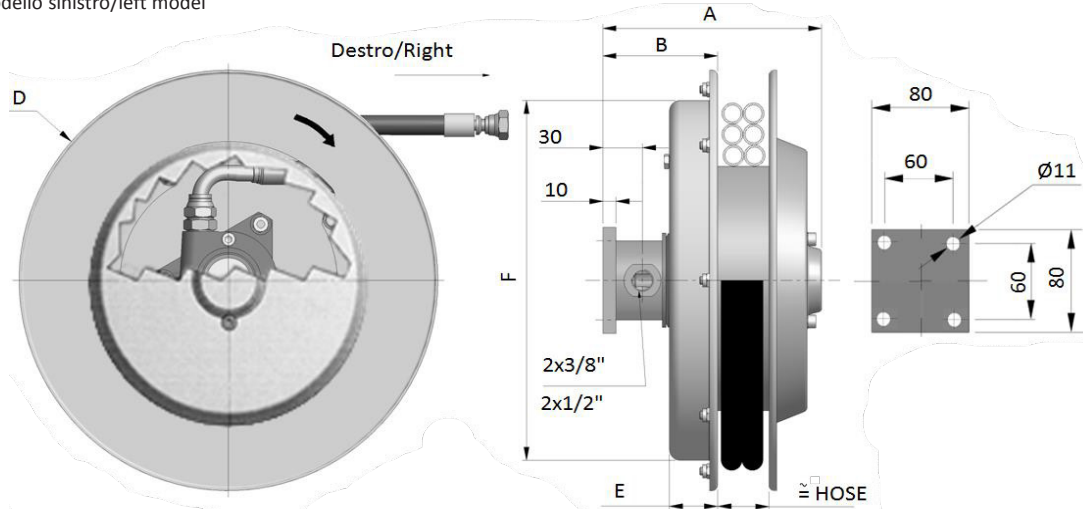
# AG/F

Max flow rate: 40 l/min  
 Working pressure: standard 300 bar  
 optional 400 bar  
 Max hose speed: 30 m/min  
 Temperature range: -20/+80°C  
 Optional temperature range: -40/+80°C



**Corsa verticale verso il basso opzionale**  
**Vertical downwards is optional**

AGD400=modello destro/right model  
 AGS400=modello sinistro/left model



Disegno tecnico disponibile a richiesta  
 Technical drawing available on request



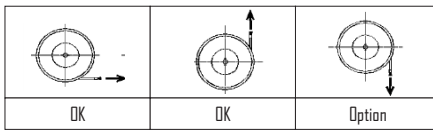
Modello destro Right model	A	B	D	E	F	Senza tubo Without hose	Con tubo/With hose									
							Ø	Lungh. totale	Lungh. Utile	R7	R8	B1	B2	T2		
								Total length	Usable length	XX=R7	XX=R8	XX=B1	XX=B2	XX=T2		
AGD270.06.XX/F							1/4"	4.0	3.7							
AGD270.08.XX/F	166	87	275	30	270	10	5/16"	3.2	2.9							
AGD270.10.XX/F							3/8"	2.8	2.5							
AGD296.06.XX/F							1/4"	3.0	2.7							
AGD296.08.XX/F	166	87	295	35	291	13	5/16"	2.3	2.0							
AGD296.10.XX/F							3/8"	2.3	2.0							
AGD296.12.XX/F	212						1/2"	1.5	1.2							
AGD321.06.XX/F							1/4"	4.0	3.7							
AGD321.08.XX/F	166	87	325	37	272	14	5/16"	3.2	2.9							
AGD321.10.XX/F							3/8"	3.3	3.0							
AGD321.12.XX/F	212						1/2"	2.5	2.2							
AGD341.06.XX/F							1/4"	5.0	4.7							
AGD341.08.XX/F	166	87	340	37	272	14	5/16"	4.2	3.9							
AGD341.10.XX/F							3/8"	4.0	3.7							
AGD341.12.XX/F	212						1/2"	2.5	2.2							
AGD370.06.XX/F							1/4"	6.0	5.7							
AGD370.08.XX/F	166	87	370	37	272	14,5	5/16"	5.3	5.0							
AGD370.10.XX/F							3/8"	4.5	4.2							
AGD370.12.XX/F	212						1/2"	3.5	3.2							
AGD400.06.XX/F							1/4"	7.3	7.0							
AGD400.08.XX/F	166	87	400	37	322	15	5/16"	6.5	6.2							
AGD400.10.XX/F							3/8"	5.6	5.3							
AGD400.12.XX/F	212						1/2"	4.5	4.2							
AGD420.06.XX/F							1/4"	8.6	8.1							
AGD420.08.XX/F	176	97	420	47	322	19	5/16"	8.0	7.5							
AGD420.10.XX/F							3/8"	6.7	6.2							
AGD420.12.XX/F	212						1/2"	4.7	4.2							

## AVVOLGITUBO GEMELLATO A 2 VIE IDRAULICHE "FLANGIA"

## TWIN HOSE REEL "FLANGE"

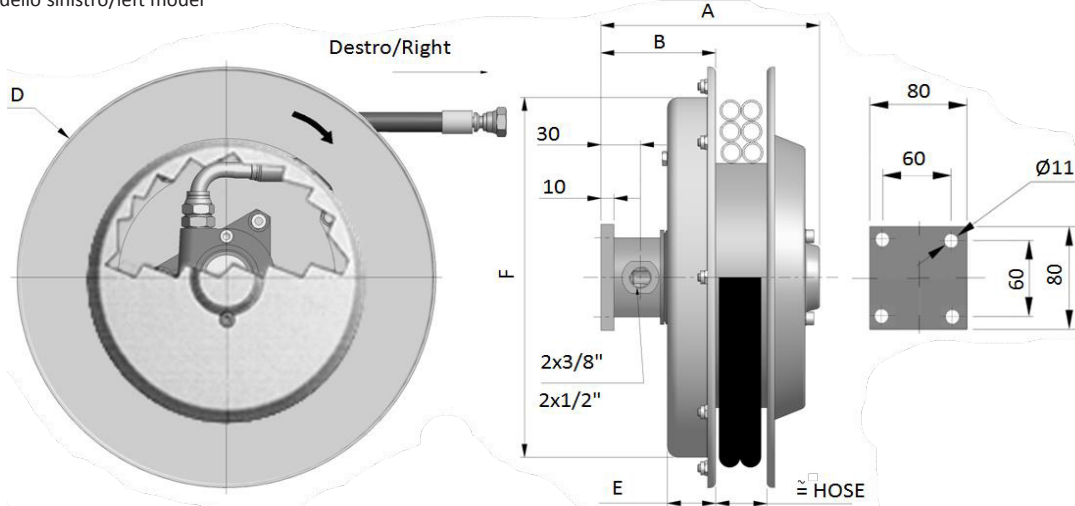
# AG/F

Max flow rate: 40 l/min  
 Working pressure: standard 300 bar  
 optional 400 bar  
 Max hose speed: 30 m/min  
 Temperature range: -20/+80°C  
 Optional temperature range: -40/+80°C



AGD400=modello destro/right model  
 AGS400=modello sinistro/left model

**Corsa verticale verso il basso opzionale**  
**Vertical downwards is optional**



Disegno tecnico disponibile a richiesta  
 Technical drawing available on request

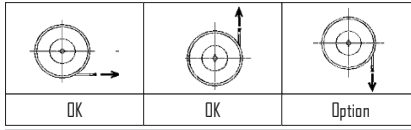
Modello destro Right model	A	B	D	E	F	Senza tubo Without hose	Con tubo/With hose									
							Ø	Lungh. totale Total length	Lungh. Utile Usable length	R7	R8	B1	B2	T2		
								m	m	XX=R7	XX=R8	XX=B1	XX=B2	XX=T2		
AGD470.06.XX/F	176	97	478	47	322	21	1/4"	11.5	11.0							
AGD470.08.XX/F							5/16"	10.0	9.5							
AGD470.10.XX/F							3/8"	9.5	9.0							
AGD470.12.XX/F	212						1/2"	7.5	7.0							
AGD520.06.XX/F	176	97	520	47	322	23	1/4"	14.5	14.0							
AGD520.08.XX/F							5/16"	12.5	12.0							
AGD520.10.XX/F							3/8"	11.2	10.7							
AGD520.12.XX/F	212						1/2"	9.0	8.5							
AGD570.06.XX/F	176	97	570	47	422	28	1/4"	17.5	17.0							
AGD570.08.XX/F							5/16"	15.5	15.0							
AGD570.10.XX/F							3/8"	13.5	13.0							
AGD570.12.XX/F							212						1/2"	10.7	10.2	
AGD600.06.XX/F	176	107	620	47	422	34	1/4"	21.0	20.5							
AGD600.08.XX/F							5/16"	17.0	16.5							
AGD600.10.XX/F							3/8"	16.0	15.5							
AGD600.12.XX/F							212						1/2"	12.5	12.0	
AGD650.06.XX/F	176	107	650	47	422	37	1/4"	22.5	22.0							
AGD650.08.XX/F							5/16"	19.5	19.0							
AGD650.10.XX/F							3/8"	17.5	17.0							
AGD650.12.XX/F							212						1/2"	14.5	14.0	
AGD700.06.XX/F	206	127	720	57	532	40	1/4"	27.0	26.5							
AGD700.08.XX/F	176	107		47			532	40	5/16"	22.0	21.5					
AGD700.10.XX/F									3/8"	20.0	19.5					
AGD700.12.XX/F									212						1/2"	16.0
AGD800.08.XX/F	186	107	820	57	532	47	5/16"	30.0	29.0							
AGD800.10.XX/F							3/8"	26.0	25.0							
AGD800.12.XX/F							227						1/2"	21.0	20.0	

## AVVOLGITUBO A 2 VIE IDRAULICHE

## 2 PORT HOSE REEL

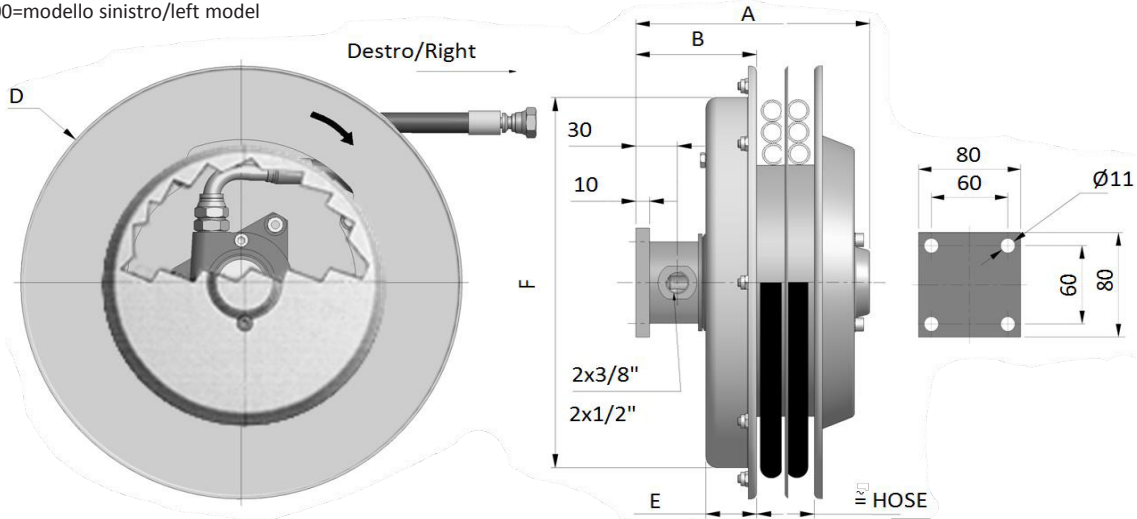
## A2/F

Max flow rate: 40 l/min  
 Working pressure: standard 300 bar  
 optional 400 bar  
 Max hose speed: 30 m/min  
 Temperature range: -20/+80°C  
 Optional temperature range: -40/+80°C



A2D400=modello destro/right model  
 A2S400=modello sinistro/left model

Corsa verticale verso il basso opzionale  
 Vertical downwards is optional



Disegno tecnico disponibile a richiesta   
 Technical drawing available on request

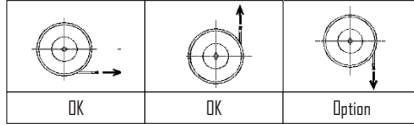
Modello destro Right model	A	B	D	E	F	Senza tubo Without hose kg	Ø	Con tubo - with 1SN / 2SC hose				Con tubo - with 4SP hose		
								Lungh. totale Total length	Lungh. Utile Usable length	1SN XX=1SN	2SC XX=2SC	Lungh. totale Total length	Lungh. utile Usable length	4SP XX=4SP
								m	m			m	m	
A2D296.06.XX/F	161	75	295	35	291	13	1/4"	2.3	2.0			-	-	
A2D296.08.XX/F							5/16"	1.4	1.1			-	-	
A2D296.10.XX/F							3/8"	1.5	1.2			-	-	
A2D296.12.XX/F							1/2"	1.5	1.2			-	-	
A2D321.06.XX/F	161	82	325	37	272	14	1/4"	3.3	3.0			-	-	
A2D321.08.XX/F							5/16"	2.3	2.0			-	-	
A2D321.10.XX/F							3/8"	2.4	2.1			-	-	
A2D321.12.XX/F							1/2"	1.5	1.2			-	-	
A2D341.06.XX/F	161	82	340	37	272	14	1/4"	3.3	3.0			-	-	
A2D341.08.XX/F							5/16"	3.3	3.0			-	-	
A2D341.10.XX/F							3/8"	2.4	2.1			-	-	
A2D341.12.XX/F							1/2"	2.5	2.2			-	-	
A2D370.06.XX/F	161	82	370	37	272	15	1/4"	4.3	4.0			-	-	
A2D370.08.XX/F							5/16"	4.4	4.1			-	-	
A2D370.10.XX/F							3/8"	3.5	3.2			-	-	
A2D370.12.XX/F							1/2"	3.6	3.3			-	-	
A2D400.06.XX/F	161	82	400	47	322	15	1/4"	5.5	5.2			-	-	
A2D400.08.XX/F							5/16"	5.7	5.4			-	-	
A2D400.10.XX/F							3/8"	4.6	4.3			-	-	
A2D400.12.XX/F							1/2"	3.6	3.3			-	-	
A2D420.06.XX/F	161	82	420	47	322	19	1/4"	6.7	6.2			-	-	
A2D420.08.XX/F							5/16"	5.7	5.2			-	-	
A2D420.10.XX/F							3/8"	4.6	4.3			-	-	
A2D420.12.XX/F							1/2"	3.6	3.1			-	-	
A2D470.06.XX/F	161	82	478	47	322	21	1/4"	9.5	9.0			-	-	
A2D470.08.XX/F							5/16"	8.4	7.9			-	-	
A2D470.10.XX/F							3/8"	7.3	6.8			-	-	
A2D470.12.XX/F							1/2"	6.3	5.8			3.6	3.3	

## AVVOLGITUBO A 2 VIE IDRAULICHE

## 2 PORT HOSE REEL

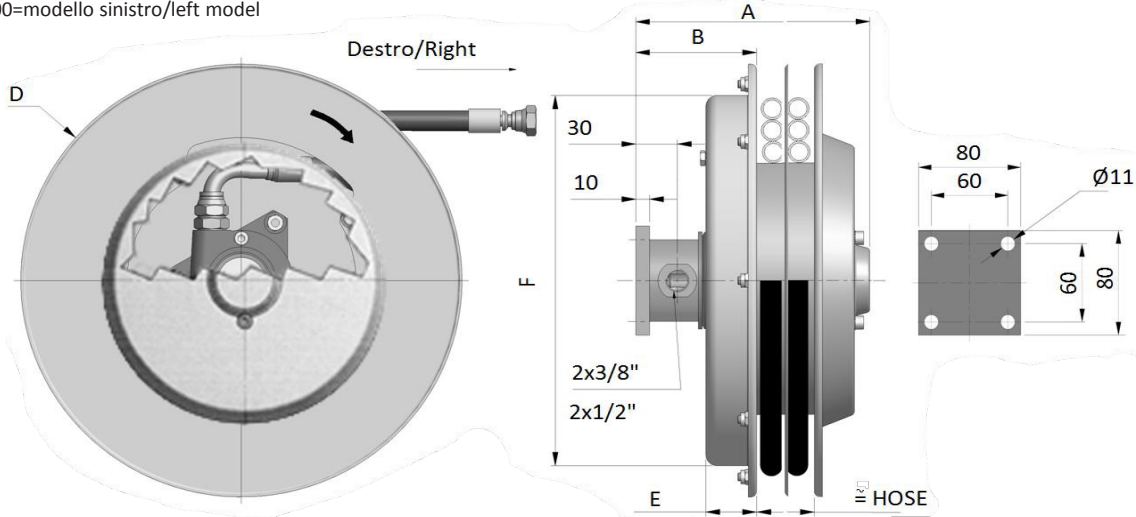
## A2/F

Max flow rate: 40 l/min  
 Working pressure: standard 300 bar  
 optional 400 bar  
 Max hose speed: 30 m/min  
 Temperature range: -20/+80°C  
 Optional temperature range: -40/+80°C



Corsa verticale verso il basso opzionale  
 Vertical downwards is optional

A2D400=modello destro/right model  
 A2S400=modello sinistro/left model



Disegno tecnico disponibile a richiesta  
 Technical drawing available on request

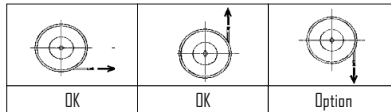
Modello destro Right model	A	B	D	E	F	Senza tubo Without hose	Ø	Con tubo - with 1SN / 2SC hose				Con tubo - with 4SP hose		
								Lungh.totale Total length	Lungh. Utile Usable length	1SN XX=1SN	2SC XX=2SC	Lungh.totale Total length	Lungh.utile Usable length	4SP XX=4SP
								m	m			m	m	
A2D520.06.XX/F	171	92	520	47	322	23	1/4"	11.1	10.6			-	-	
A2D520.08.XX/F					5/16"		9.9	9.4			-	-		
A2D520.10.XX/F					3/8"		8.9	8.4			-	-		
A2D520.12.XX/F					1/2"		7.9	7.4	422		5.0	4.7		
A2D570.06.XX/F	171	92	570	47	422	28	1/4"	14.5	14.0			-	-	
A2D570.08.XX/F							5/16"	11.6	11.1			-	-	
A2D570.10.XX/F							3/8"	10.6	10.1			-	-	
A2D570.12.XX/F							1/2"	9.7	9.2			6.7	6.2	
A2D600.06.XX/F	171	92	620	47	422	34	1/4"	16.3	15.8			-	-	
A2D600.08.XX/F							5/16"	15.2	14.7			-	-	
A2D600.10.XX/F							3/8"	12.3	11.8			-	-	
A2D600.12.XX/F							1/2"	11.4	10.9			8.5	8.0	
A2D650.06.XX/F	181	102	650	57	422	37	1/4"	18.3	17.8			-	-	
A2D650.08.XX/F							5/16"	17.2	16.7			-	-	
A2D650.10.XX/F							3/8"	14.3	13.8			-	-	
A2D650.12.XX/F							1/2"	11.8	11.3			10.5	10.0	
A2D700.06.XX/F	181	102	720	57	532	40	1/4"	22.5	22.0			-	-	
A2D700.08.XX/F							5/16"	19.3	18.8			-	-	
A2D700.10.XX/F							3/8"	18.5	18.0			-	-	
A2D700.12.XX/F							1/2"	15.0	14.5			12.6	12.1	



## AVVOLGITUBO GEMELLATO A 2 VIE IDRAULICHE "SERIE 19" "SERIES 19" TWIN HOSE REEL

# AG.19

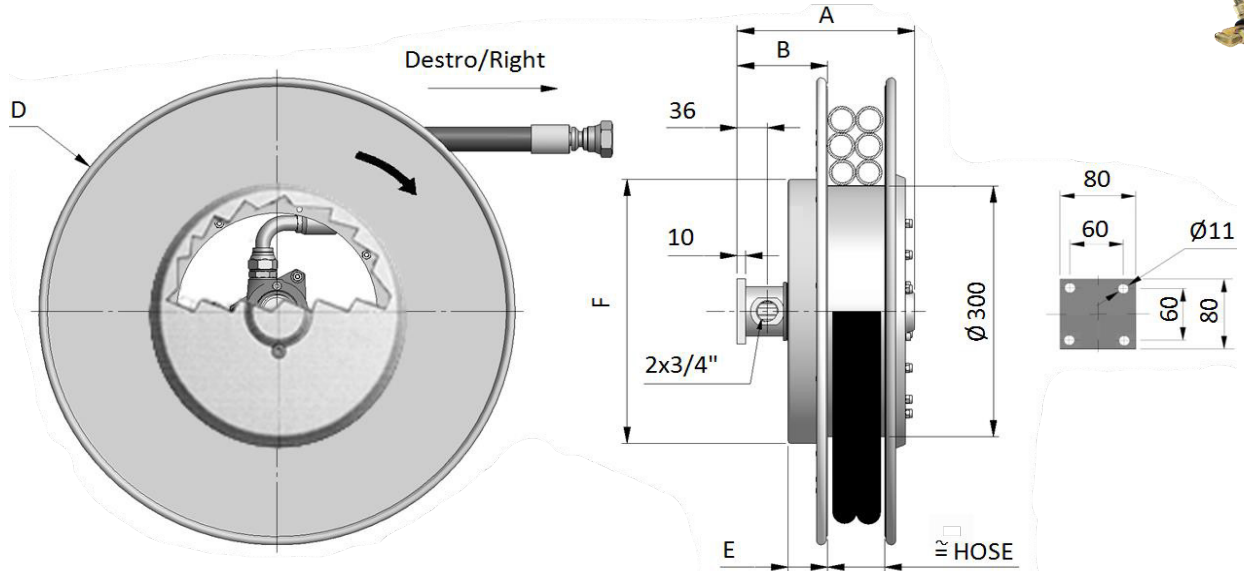
Max flow rate: 80 l/min  
 Working pressure: standard 300 bar  
 optional 400 bar  
 Max hose speed: 30 m/min  
 Temperature range: -20/+80°C  
 Optional temperature range: -40/+80°C



**Corsa verticale verso il basso opzionale**  
**Vertical downwards is optional**



AGD400=modello destro/right model  
 AGS400=modello sinistro/left model



Disegno tecnico disponibile a richiesta  
 Technical drawing available on request



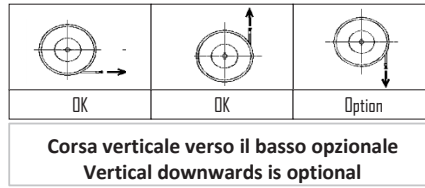
Modello destro Right model	A	B	D	E	F	Senza tubo Without hose	kg	Ø	Con tubo - with B1 hose			Con tubo - with B2-B3 hose			
									Lungh.totale Total length	Lungh.utile Usable length	B1 XX=B1	Lungh.totale Total length	Lungh.utile Usable length	B2 XX=B2	B3 XX=B3
									m	m		m	m		
AGD420.19.12.XX								1/2"	3.5	3.0		3.5	3.0		
AGD420.19.16.XX	212	108	420	47	322	21		5/8"	-	-		2.6	2.1		
AGD420.19.19.XX								3/4"	-	-		2.6	2.1		
AGD470.19.12.XX								1/2"	5.0	4.5		5.0	4.5		
AGD470.19.16.XX	212	108	478	47	322	24		5/8"	-	-		4.0	3.5		
AGD470.19.19.XX								3/4"	-	-		4.0	3.5		
AGD520.19.12.XX								1/2"	8.0	7.5		6.8	6.3		
AGD520.19.16.XX	212	108	520	47	422	27		5/8"	-	-		5.4	4.9		
AGD520.19.19.XX								3/4"	-	-		5.4	4.9		
AGD570.19.12.XX								1/2"	10.0	9.5		8.5	8.0		
AGD570.19.16.XX	212	108	570	47	422	32		5/8"	-	-		7.0	6.5		
AGD570.19.19.XX								3/4"	-	-		7.0	6.5		
AGD600.19.12.XX								1/2"	12.0	11.5		9.8	9.3		
AGD600.19.16.XX	222	128	620	57	422	36		5/8"	-	-		8.8	8.3		
AGD600.19.19.XX								3/4"	-	-		7.5	7.0		
AGD650.19.12.XX								1/2"	13.0	12.5		11.7	11.2		
AGD650.19.16.XX	232	138	650	67	422	41		5/8"	-	-		10.0	9.5		
AGD650.19.19.XX								3/4"	-	-		9.0	8.5		
AGD700.19.12.XX								1/2"	18.0	17.5		16.4	15.9		
AGD700.19.16.XX	232	138	720	67	532	47		5/8"	-	-		13.0	12.5		
AGD700.19.19.XX								3/4"	-	-		11.5	11.0		
AGD800.19.12.XX								1/2"	25.0	24.0		21.0	20.0		
AGD800.19.16.XX	232	138	820	67	532	60		5/8"	-	-		17.5	16.5		
AGD800.19.19.XX								3/4"	-	-		16.0	15.0		
AGD900.19.12.XX								1/2"	30.0	29.0		29.0	28.0		
AGD900.19.16.XX	232	138	920	67	532	70		5/8"	-	-		23.0	22.0		
AGD900.19.19.XX								3/4"	-	-		21.0	20.0		

## AVVOLGITUBO GEMELLATO A 2 VIE IDRAULICHE "SERIE 25"

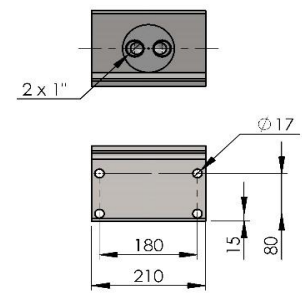
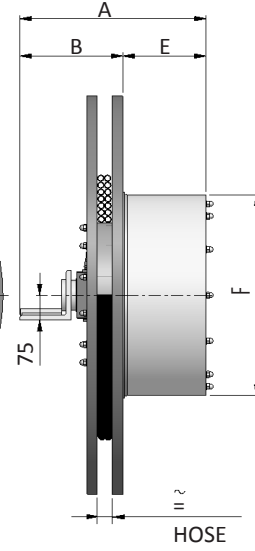
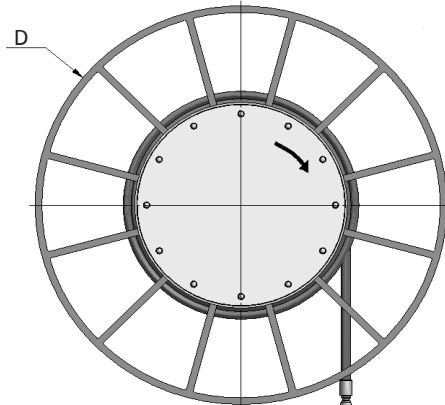
## "SERIES 25" TWIN HOSE REEL

# AG.25

Max flow rate: 135 l/min  
 Working pressure: standard 300 bar  
 optional 400 bar  
 Max hose speed: 30 m/min  
 Temperature range: -20/+80°C  
 Optional temperature range: -40/+80°C



AGD800=modello destro/right model  
 AGS800=modello sinistro/left model



Disegno tecnico disponibile a richiesta  
 Technical drawing available on request



Modello destro Right model	A	B	D	E	F	Senza tubo Without hose	Ø	Tubo/Hose		Con tubo - with hose		
								Lungh.totale Total length	Lungh utile Usable length	B1 XX=B1	B2 XX=B2	B3 XX=B3
								m	m			
AGD800.25.10.XX	440	180	810	155	605		3/8"	20.0	19.0			
AGD800.25.12.XX							1/2"	18.0	17.0			
AGD800.25.16.XX							5/8"	16.0	15.0			
AGD800.25.19.XX							3/4"	15.0	14.0			
AGD900.25.10.XX	440	180	910	190	605		3/8"	26.0	25.0			
AGD900.25.12.XX							1/2"	24.0	23.0			
AGD900.25.16.XX							5/8"	22.0	21.0			
AGD900.25.19.XX							3/4"	20.0	19.0			
AGD1000.25.10.XX	490	180	1000	240	605		3/8"	30.0	29.0			
AGD1000.25.12.XX							1/2"	28.0	27.0			
AGD1000.25.16.XX							5/8"	24.0	23.0			
AGD1000.25.19.XX							3/4"	20.0	19.0			
AGD1100.25.10.XX	490	180	1100	240	605		3/8"	35.0	33.0			
AGD1100.25.12.XX							1/2"	35.0	33.0			
AGD1100.25.16.XX							5/8"	30.0	28.0			
AGD1100.25.19.XX							3/4"	25.0	23.0			
AGD1200.25.10.XX	544	300	1200	244	605	270	3/8"	48.0	38.0			
AGD1200.25.12.XX							1/2"	44.0	40.0			
AGD1200.25.16.XX							5/8"	37.0	35.0			
AGD1200.25.19.XX							3/4"	30.0	28.0			
AGD1300.25.10.XX	544	300	1300	244	605		3/8"	55.0	50.0			
AGD1300.25.12.XX							1/2"	52.0	50.0			
AGD1300.25.16.XX							5/8"	45.0	43.0			
AGD1300.25.19.XX							3/4"	35.0	33.0			
AGD1400.25.16.XX	544	300	1400	304	650		5/8"	50.0	48.0			
AGD1400.25.19.XX							3/4"	40.0	38.0			
AGD1500.25.12.XX												
AGD1500.25.16.XX												
AGD1500.25.19.XX												
AGD1550.25.12.XX												
AGD1600.25.19.XX/O												

SCONSIGLIATO - NOT RECOMMENDED

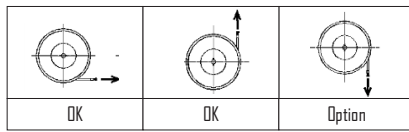
Solo su richiesta / Only on request

## AVVOLGITUBO A 2 VIE IDRAULICHE "SERIE 19"

## "SERIES 19" 2 PORT HOSE REEL

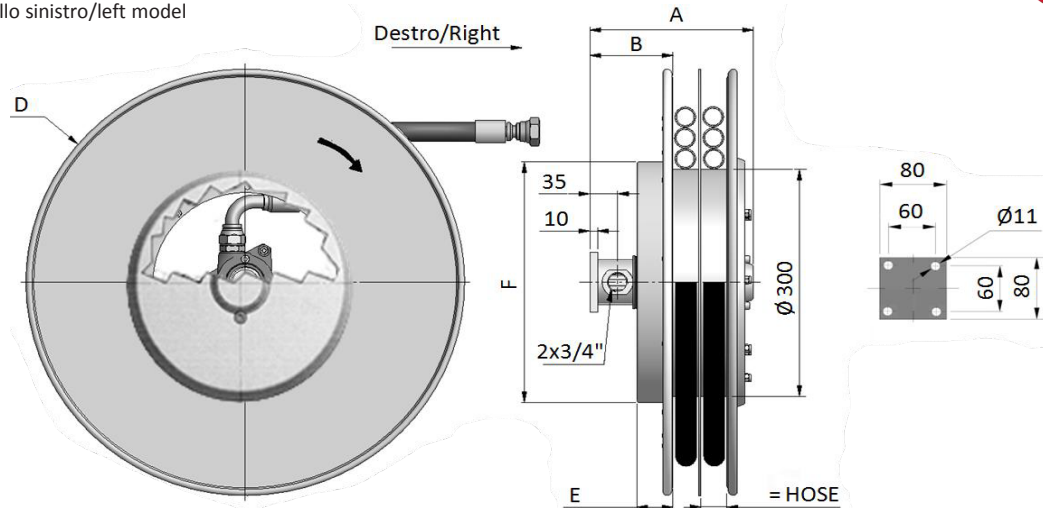
# A2.19

Max flow rate: 80 l/min  
 Working pressure: standard 300 bar  
 optional 400 bar  
 Max hose speed: 30 m/min  
 Temperature range: -20/+80°C  
 Optional temperature range: -40/+80°C



A2D400=modello destro/right model  
 A2S400=modello sinistro/left model

Corsa verticale verso il basso opzionale  
 Vertical downwards is optional



Disegno tecnico disponibile a richiesta   
 Technical drawing available on request

Modello destro Right model	A	B	D	E	F	Senza tubo Without hose	Ø	Con tubo - with 1SN / 2SC hose				Con tubo - with 4SP hose			
								Lungh. totale	Lungh. Utile	1SN	2SC	Lungh. totale	Lungh. utile	4SP	
								Total length	Usable length	XX=1SN	XX=2SC	Total length	Usable length	XX=4SP	
	mm					kg		m	m			m	m		
A2D420.19.16.XX	212	108	420	47	322	22	5/8"	2.6	2.1			2.6	2.1		
3/4"							2.6	2.1		1.8	1.3				
A2D470.19.16.XX	212	108	478	47	322	25	5/8"	4.0	3.5			4.0	3.5		
3/4"							2.7	2.2		3.0	2.5				
A2D520.19.16.XX	212	108	520	57	422	28	5/8"	5.5	5.0			4.5	4.0		
3/4"							4.2	3.7		4.2	3.7				
A2D570.19.16.XX	212	108	570	57	422	34	5/8"	7.2	6.7			6.0	5.5		
3/4"							5.9	5.4		5.9	5.4				
A2D600.19.16.XX	223	119	620	57	422	38	5/8"	7.5	7.0			7.5	7.0		
3/4"							7.0	6.5		7.3	6.8				
A2D650.19.16.XX	223	119	650	67	532	43	5/8"	9.5	9.0			9.0	8.5		
3/4"							7.6	7.1		7.3	6.8				
A2D700.19.16.XX	237	133	720	67	532	50	5/8"	13.0	12.5			11.5	11.0		
3/4"							10.0	9.5		10.0	9.5				
A2D800.19.16.XX	237	133	820	67	532	60	5/8"	16.0	15.0			16.0	15.0		
3/4"							14.5	13.5		14.0	13.0				

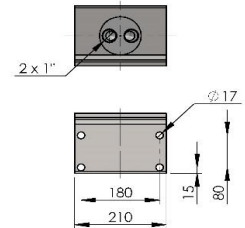
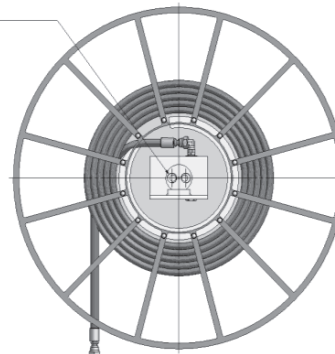
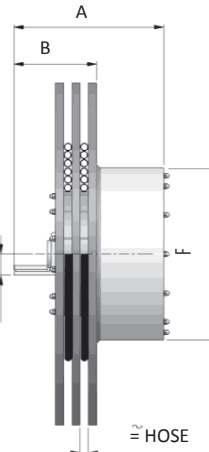
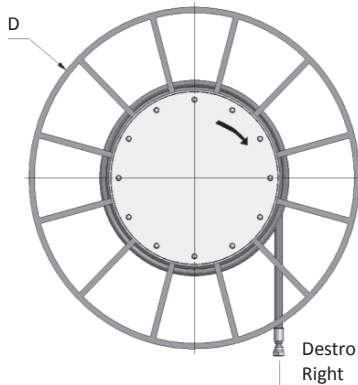
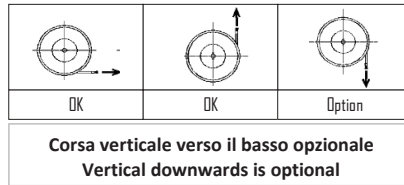
## AVVOLGITUBO A 2 VIE IDRAULICHE "SERIE 25"

## "SERIES 25" 2 PORT HOSE REEL

## A2.25

Max flow rate: 135 l/min  
 Working pressure: standard 300 bar  
 optional 400 bar  
 Max hose speed: 30 m/min  
 Temperature range: -20/+80°C  
 Optional temperature range: -40/+80°C

A2D800=modello destro/right model  
 A2S800=modello sinistro/left model



Disegno tecnico disponibile a richiesta  
 Technical drawing available on request



Modello destro Right model	A	B	D	F	Senza tubo Without hose	CON TUBO / WITH HOSE										
						Ø	Lungh.totale Total length		Lungh. Utile Usable length		2SC XXX=2SC		4SP XXX=4SP		4SH XXX=4SH	
							m	m	m	m	m	m	m	m		
A2D600.25.19.XX	545	305	620	605		3/4"	4.0	3.0		4.0	3.0	-	-			
A2D600.25.25.XX						1"	4.0	3.0	-	-	4.0	3.0				
A2D700.25.16.XX	545	305	720	605		5/8"	9.5	8.5		9.5	8.5	-	-			
A2D700.25.19.XX						3/4"	8.0	7.0		8.0	7.0	-	-			
A2D700.25.25.XX						1"	6.4	5.4		-	-	6.4	5.4			
A2D800.25.12.XX	545	305	810	605		1/2"	16.0	15.0		16.0	15.0	-	-			
A2D800.25.16.XX						5/8"	14.0	13.0		14.0	13.0	-	-			
A2D800.25.19.XX						3/4"	12.0	11.0		10.0	9.0	-	-			
A2D800.25.25.XX						1"	10.0	9.0		-	-	8.6	7.6			
A2D900.25.12.XX	545	305	910	605		1/2"	21.0	20.0		21.0	20.0	-	-			
A2D900.25.16.XX						5/8"	19.0	18.0		17.0	16.0	-	-			
A2D900.25.19.XX						3/4"	15.0	14.0		15.0	14.0	-	-			
A2D900.25.25.XX						1"	13.5	12.5		-	-	11.2	10.2			
A2D1000.25.12.XX	545	305	1000	605		1/2"	25.0	24.0		25.0	24.0	-	-			
A2D1000.25.16.XX						5/8"	23.0	22.0		23.0	22.0	-	-			
A2D1000.25.19.XX						3/4"	20.0	19.0		19.0	18.0	-	-			
A2D1000.25.25.XX						1"	15.0	14.0		-	-	15.0	14.0			
A2D1200.25.12.XX	545	305	1200	605		1/2"	38.0	37.0		38.0	37.0	-	-			
A2D1200.25.16.XX						5/8"	30.0	29.0		30.0	29.0	-	-			
A2D1200.25.19.XX						3/4"	30.0	29.0		26.0	25.0	-	-			
A2D1200.25.25.XX						1"	22.0	21.0		-	-	22.0	21.0			
A2D1300.25.19.XX																
A2D1400.25.12.XX																
A2D1400.25.16.XX																
A2D1400.25.19.XX																
A2D1400.25.25.XX																
A2D1600.25.12.XX																
A2D1600.25.16.XX																
A2D1600.25.19.XX																
A2D1600.25.25.XX																

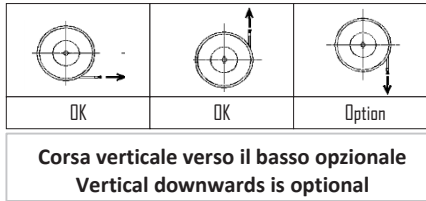
Solo su richiesta / Only on request

## AVVOLGITUBO GEMELLATO A 2 VIE IDRAULICHE

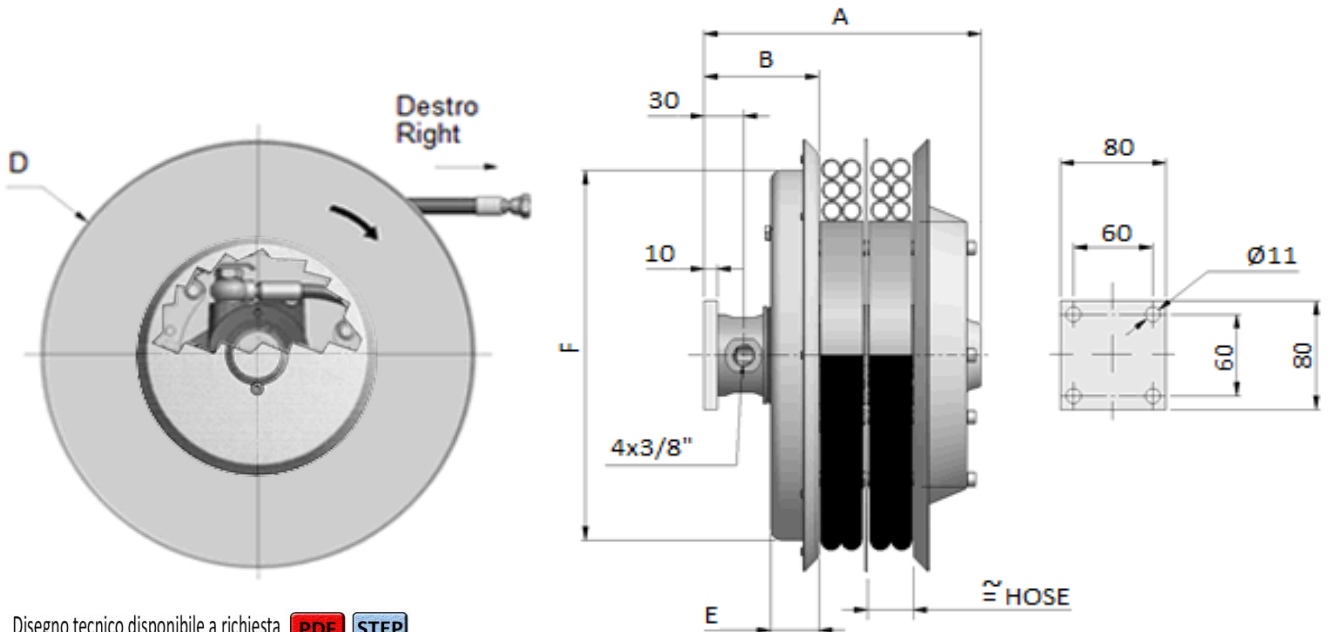
## TWIN HOSE REEL

# A4 Compact

Max flow rate: 25 l/min  
 Working pressure: standard 300 bar  
 optional 400 bar  
 Max hose speed: 30 m/min  
 Temperature range: -20/+80°C  
 Optional temperature range: -40/+80°C



A4D295=modello destro/right model  
 A4S295=modello sinistro/left model



Disegno tecnico disponibile a richiesta   
 Technical drawing available on request

Modello destro Right model	A	B	D	E	F	Senza tubo Without hose		Con tubo / With hose R7-R8-B1				
						kg	Ø	Lungh. totale Total length m	Lungh. utile Usable length m	R7 XX=R7	R8 XX=R8	B1 XX=B1
A4D230.06.XX	210	90	230	30	226	11	1/4"	2.2	1.9			
A4D270.06.XX	210	90	270	30	272	14		4.0	3.7			
A4D295.06.XX	210	90	295	37	291	17		4.7	4.4			
A4D320.06.XX	210	90	325	37	272	17		5.5	5.2			
A4D340.06.XX	210	90	340	37	272	18		6.0	5.7			

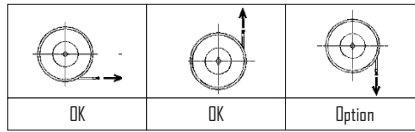


## AVVOLGITUBO GEMELLATO A 4 VIE IDRAULICHE

## 4 PORT HOSE REEL

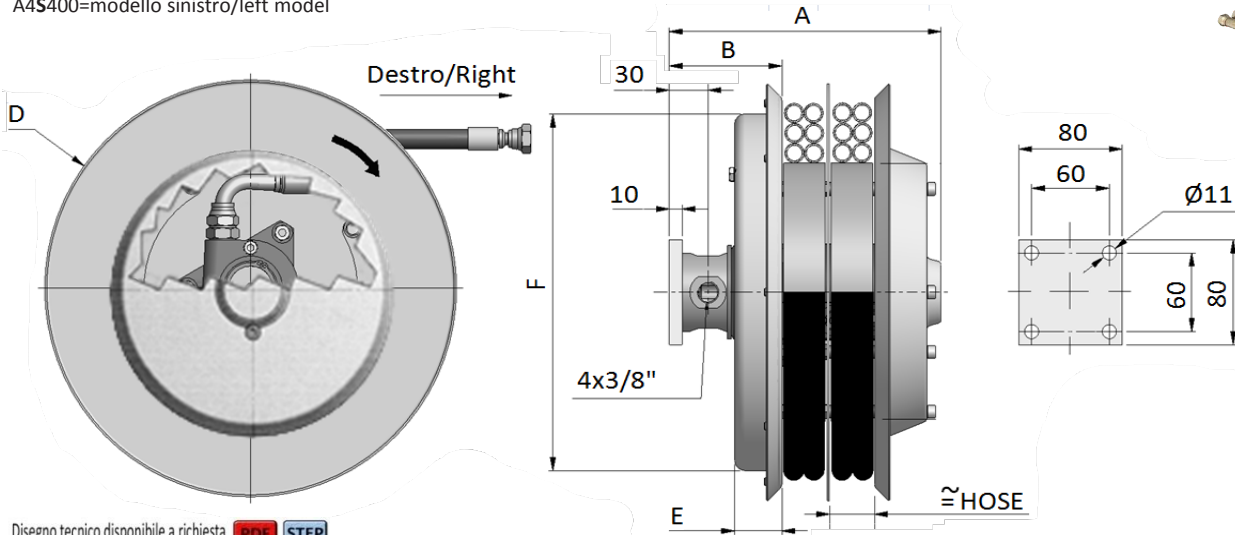
# A4

Max flow rate: 30 l/min  
 Working pressure: standard 300 bar  
 optional 400 bar  
 Max hose speed: 30 m/min  
 Temperature range: -20/+80°C  
 Optional temperature: -40/+80°C



A4D400=modello destro/right model  
 A4S400=modello sinistro/left model

Corsa verticale verso il basso opzionale  
 Vertical downwards is optional



Disegno tecnico disponibile a richiesta  
 Technical drawing available on request

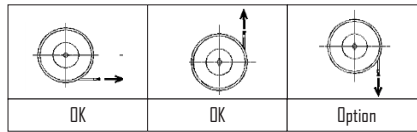
Modello destro Right model	A	B	D	E	F	Senza tubo Without hose	kg	Ø	Con tubo - with hose						
									Lungh. totale Total length	Lungh. utile Usable length	R7 XX=R7	R8 XX=R8	B1 XX=B1	B2 XX=B2	T2 XX=T2
									m	m					
A4D296.06.XX								1/4"	3.0	2.7					
A4D296.08.XX	210	87	295	37	291	16		5/16"	2.3	2.0					
A4D296.10.XX								3/8"	2.3	2.0					
A4D321.06.XX								1/4"	4.0	3.7					
A4D321.08.XX	210	87	325	37	272	17		5/16"	3.2	2.9					
A4D321.10.XX								3/8"	3.3	3.0					
A4D341.06.XX								1/4"	5.0	4.7					
A4D341.08.XX	210	87	340	37	272	18		5/16"	4.2	3.9					
A4D341.10.XX								3/8"	4.0	3.7					
A4D370.06.XX								1/4"	6.0	5.7					
A4D370.08.XX	210	87	370	37	272	18		5/16"	5.3	5.0					
A4D370.10.XX								3/8"	4.5	4.2					
A4D400.06.XX								1/4"	7.3	7.0					
A4D400.08.XX	210	87	400	47	272	19		5/16"	6.5	6.2					
A4D400.10.XX								3/8"	5.6	5.3					
A4D420.06.XX								1/4"	8.6	8.1					
A4D420.08.XX	210	97	420	47	322	22		5/16"	8.0	7.5					
A4D420.10.XX								3/8"	6.7	6.2					
A4D470.06.XX								1/4"	11.5	11.0					
A4D470.08.XX	220	97	478	47	322	24		5/16"	10.0	9.5					
A4D470.10.XX								3/8"	9.5	9.0					
A4D520.06.XX								1/4"	14.5	14.0					
A4D520.08.XX	220	97	520	47	422	28		5/16"	12.5	12.0					
A4D520.10.XX								3/8"	11.2	10.7					

## AVVOLGITUBO GEMELLATO A 4 VIE IDRAULICHE

## 4 PORT HOSE REEL

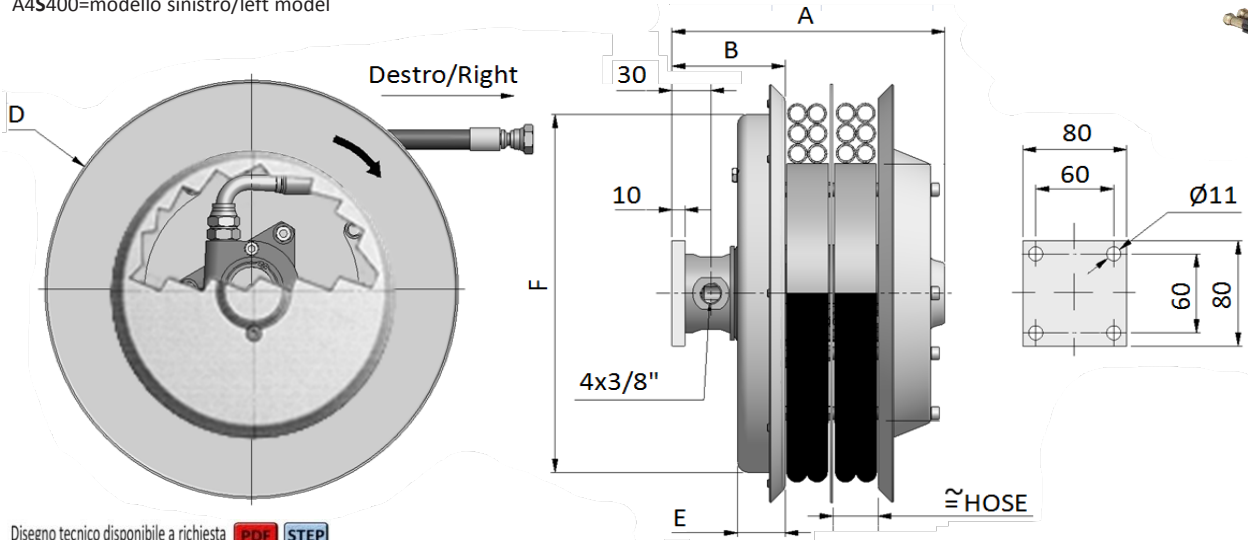
# A4

Max flow rate: 30 l/min  
 Working pressure: standard 300 bar  
 optional 400 bar  
 Max hose speed: 30 m/min  
 Temperature range: -20/+80°C  
 Optional temperature: -40/+80°C



A4D400=modello destro/right model  
 A4S400=modello sinistro/left model

Corsa verticale verso il basso opzionale  
 Vertical downwards is optional



Disegno tecnico disponibile a richiesta PDF STEP  
 Technical drawing available on request

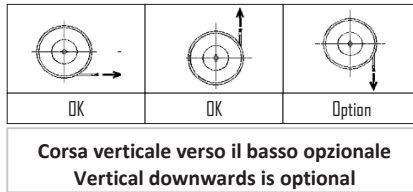
Modello destro Right model	A	B	D	E	F	Senza tubo Without hose	Ø	Con tubo - with hose						
								Lungh.totale Total length	Lungh.utile Usable length	R7 XX=R7	R8 XX=R8	B1 XX=B1	B2 XX=B2	T2 XX=T2
						kg	m	m						
A4D570.06.XX	220	97	570	47	422	32	1/4"	17.5	17.0					
A4D570.08.XX							5/16"	15.5	15.0					
A4D570.10.XX							3/8"	13.5	13.0					
A4D600.06.XX	220	97	620	47	422	38	1/4"	21.0	20.5					
A4D600.08.XX							5/16"	17.0	16.5					
A4D600.10.XX							3/8"	16.0	15.5					
A4D650.06.XX	220	97	650	47	422	44	1/4"	22.5	22.0					
A4D650.08.XX							5/16"	19.5	19.0					
A4D650.10.XX							3/8"	17.5	17.0					
A4D700.06.XX	220	97	720	47	532	50	1/4"	27.0	26.5					
A4D700.08.XX							5/16"	22.0	21.5					
A4D700.10.XX							3/8"	20.0	19.5					
A4D800.08.XX	250	127	820	67	532	-	5/16"	30.0	29.0					
A4D800.10.XX							3/8"	26.0	25.0					

## AVVOLGITUBO A 4 VIE IDRAULICHE

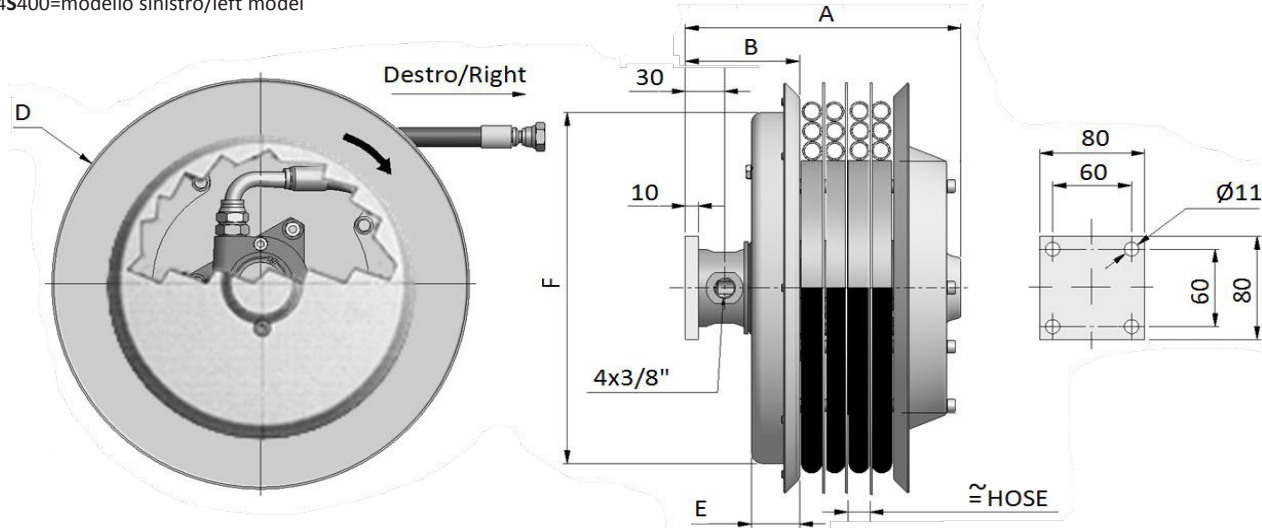
## 4 PORT HOSE REEL

# S4

Max flow rate: 40 l/min  
 Working pressure: standard 300 bar  
 optional 400 bar  
 Max hose speed: 30 m/min  
 Temperature range: -20/+80°C  
 Optional temperature range: -40/+80°C



S4D400=modello destro/right model  
 S4S400=modello sinistro/left model



Disegno tecnico disponibile a richiesta   
 Technical drawing available on request

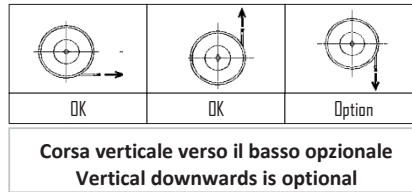
Modello destro Right model	A	B	D	E	F	Senza tubo Without hose	Ø	Con tubo - with 1SN / 2SC hose				Con tubo - with 4SP hose			
								Lungh.totale Total length	Lungh. Utile Usable length	1SN	2SC	Lungh.totale Total length	Lungh.utile Usable length	4SP	
										XX=1SN	XX=2SC				XX=4SP
							m		m		m		m		
S4D296.06.XX							1/4"	2.3	2.0			-	-		
S4D296.08.XX	161	75	295	35	291	17	5/16"	1.4	1.1			-	-		
S4D296.10.XX							3/8"	1.5	1.2			-	-		
S4D296.12.XX							1/2"	1.5	1.2			-	-		
S4D321.06.XX	161	82	325	37	272	18	1/4"	3.3	3.0			-	-		
S4D321.08.XX							5/16"	2.3	2.0			-	-		
S4D321.10.XX							3/8"	2.4	2.1			-	-		
S4D321.12.XX							1/2"	1.5	1.2			-	-		
S4D341.06.XX	161	82	340	37	272	19	1/4"	3.3	3.0			-	-		
S4D341.08.XX							5/16"	3.3	3.0			-	-		
S4D341.10.XX							3/8"	2.4	2.1			-	-		
S4D341.12.XX							1/2"	2.5	2.2			-	-		
S4D370.06.XX	161	82	370	37	272	19	1/4"	4.3	4.0			-	-		
S4D370.08.XX							5/16"	4.4	4.1			-	-		
S4D370.10.XX							3/8"	3.5	3.2			-	-		
S4D370.12.XX							1/2"	3.6	3.3			-	-		
S4D400.06.XX	161	82	400	47	322	20	1/4"	5.5	5.2			-	-		
S4D400.08.XX							5/16"	5.7	5.4			-	-		
S4D400.10.XX							3/8"	4.6	4.3			-	-		
S4D400.12.XX							1/2"	3.6	3.3			-	-		
S4D420.06.XX	161	82	420	47	322	23	1/4"	6.7	6.2			-	-		
S4D420.08.XX							5/16"	5.7	5.2			-	-		
S4D420.10.XX							3/8"	4.6	4.3			-	-		
S4D420.12.XX							1/2"	3.6	3.1			-	-		
S4D470.06.XX	161	82	478	47	322	25	1/4"	9.5	9.0			-	-		
S4D470.08.XX							5/16"	8.4	7.9			-	-		
S4D470.10.XX							3/8"	7.3	6.8			-	-		
S4D470.12.XX							1/2"	6.3	5.8			3.6	3.3		

## AVVOLGITUBO A 4 VIE IDRAULICHE

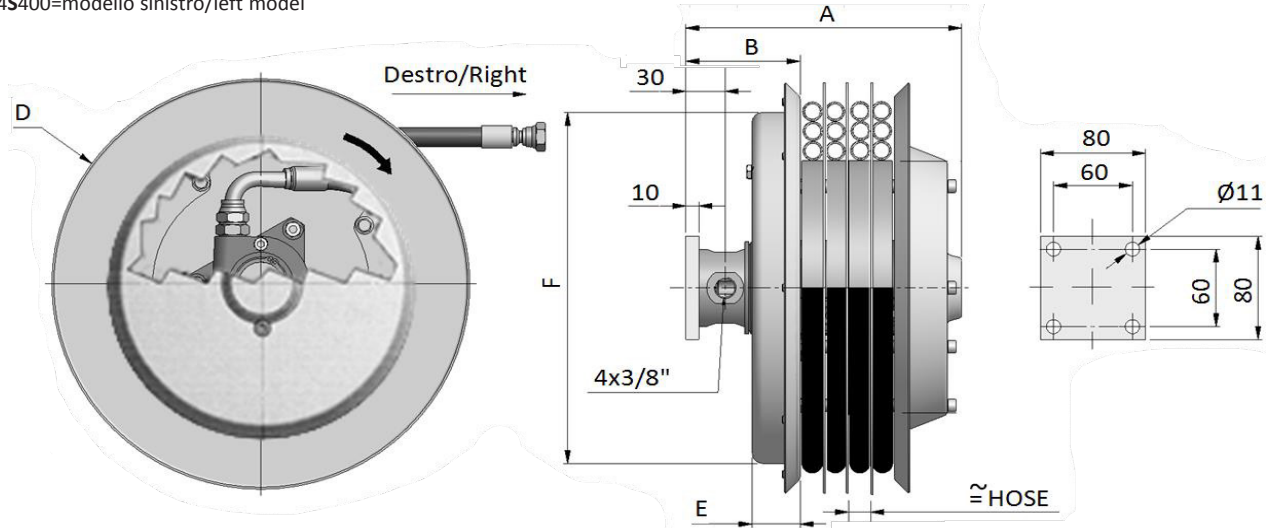
## 4 PORT HOSE REEL

# S4

Max flow rate: 40 l/min  
 Working pressure: standard 300 bar  
 optional 400 bar  
 Max hose speed: 30 m/min  
 Temperature range: -20/+80°C  
 Optional temperature range: -40/+80°C



S4D400=modello destro/right model  
 S4S400=modello sinistro/left model



Disegno tecnico disponibile a richiesta   
 Technical drawing available on request

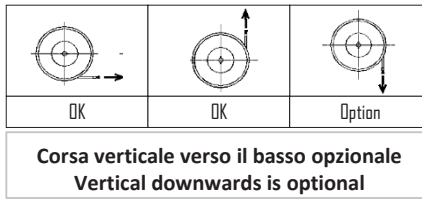
Modello destro Right model	A	B	D	E	F	Senza tubo Without hose	Ø	Con tubo - with 1SN / 2SC hose		Con tubo - with 4SP hose				
								Lungh.totale Total length	Lungh. Utile Usable length	1SN	2SC	Lungh.totale Total length	Lungh.utile Usable length	4SP
										XX=1SN	XX=2SC			
							m		m					
S4D520.06.XX	171	92	520	47	422	29	1/4"	11.1	10.6			-	-	
S4D520.08.XX							5/16"	9.9	9.4			-	-	
S4D520.10.XX							3/8"	8.9	8.4			-	-	
S4D520.12.XX							1/2"	7.9	7.4			5.0	4.7	
S4D570.06.XX	171	92	570	47	422	33	1/4"	14.5	14.0			-	-	
S4D570.08.XX							5/16"	11.6	11.1			-	-	
S4D570.10.XX							3/8"	10.6	10.1			-	-	
S4D570.12.XX							1/2"	9.7	9.2			6.7	6.2	
S4D600.06.XX	171	92	620	47	422	39	1/4"	16.3	15.8			-	-	
S4D600.08.XX							5/16"	15.2	14.7			-	-	
S4D600.10.XX							3/8"	12.3	11.8			-	-	
S4D600.12.XX							1/2"	11.4	10.9			8.5	8.0	
S4D650.06.XX	181	102	650	57	422	46	1/4"	18.3	17.8			-	-	
S4D650.08.XX							5/16"	17.2	16.7			-	-	
S4D650.10.XX							3/8"	14.3	13.8			-	-	
S4D650.12.XX							1/2"	11.8	11.3			10.5	10.0	
S4D700.06.XX	181	102	720	57	532	53	1/4"	22.5	22.0			-	-	
S4D700.08.XX							5/16"	19.3	18.8			-	-	
S4D700.10.XX							3/8"	18.5	18.0			-	-	
S4D700.12.XX							1/2"	15.0	14.5			12.6	12.1	

## AVVOLGITUBO GEMELLATO A 4 VIE IDRAULICHE

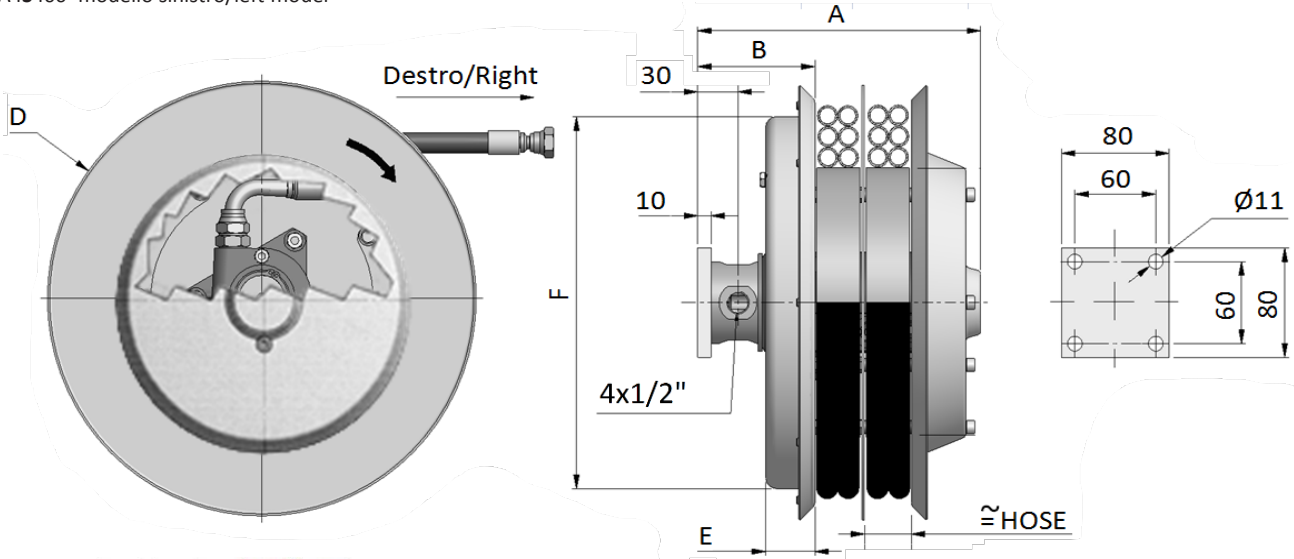
## 4 PORT HOSE REEL

# A4.12

Max flow rate: 40 l/min  
 Working pressure: standard 300 bar  
 optional 400 bar  
 Max hose speed: 30 m/min  
 Temperature range: -20/+80°C  
 Optional temperature range: -40/+80°C



A4D400=modello destro/right model  
 A4S400=modello sinistro/left model



Disegno tecnico disponibile a richiesta   
 Technical drawing available on request

Modello destro Right model	A	B	D	E	F	Senza tubo Without hose					Con tubo - with hose				
						kg		Ø	Lungh. totale	Lungh. utile	R8	B1	B2		
									Total length	Usable length	XX=R8	XX=B1	XX=B2		
mm								m	m						
A4D296.12.XX	240	127	295	37	291	21		1/2"	1.5	1.2					
A4D321.12.XX	240	127	325	37	272	23		1/2"	2.5	2.2					
A4D341.12.XX	240	127	340	37	272	25		1/2"	2.5	2.2					
A4D370.12.XX	240	127	370	37	272	30		1/2"	3.5	3.2					
A4D400.12.XX	240	127	400	47	272	33		1/2"	4.5	4.2					
A4D420.12.XX	240	127	420	47	322	35		1/2"	4.7	4.2					
A4D470.12.XX	250	127	478	47	322	38		1/2"	7.5	7.0					
A4D520.12.XX	250	127	520	47	422	45		1/2"	9.0	8.5					
A4D570.12.XX	250	127	570	47	422	50		1/2"	10.7	10.2					
A4D600.12.XX	250	127	620	47	422	63		1/2"	12.5	12.0					
A4D650.12.XX	250	127	650	47	422	75		1/2"	14.5	14.0					
A4D700.12.XX	250	127	720	47	532	-		1/2"	16.0	15.5					
A4D800.12.XX	250	127	820	57	532	87		1/2"	21.0	20.0					

SCONSIGLIATO  
 (variazioni di lunghezza in pressione)  
 NOT RECOMMENDED  
 (length differences under pressure)

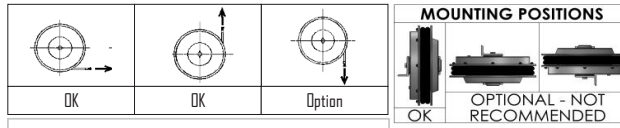


"M4" AVVOLGITUBO A 4 VIE CON DOPPIA MOLLA ESTERNA

M4 4 PORT HOSE-REEL WITH 2 INDEPENDENT OUTER SPRINGS

**M4**

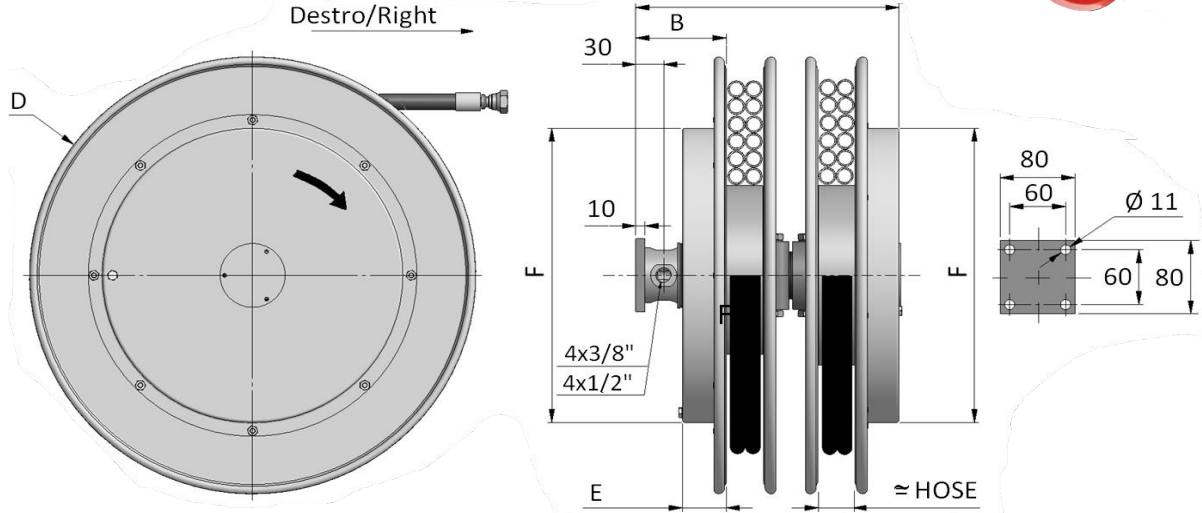
Max flow rate: 40 l/min  
Working pressure: standard 300 bar  
optional 400 bar  
Max hose speed: 30 m/min  
Temperature range: -20/+80°C  
Optional temperature range: -40/+80°C



Corsa verticale verso il basso opzionale  
Vertical downwards is optional



M4D400=modello destro/right model  
M4S400=modello sinistro/left model



Disegno tecnico disponibile a richiesta PDF STEP  
Technical drawing available on request

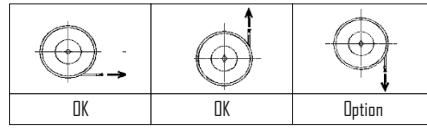
Modello destro Right model	A	B	D	E	F	Senza tubo Without hose	Con tubo - with hose							
							Ø	Lungh.totale Total length	Lungh. Utile Usable length	R7 XX=R7	R8 XX=R8	B1 XX=B1	B2 XX=B2	T2 XX=T2
						kg	m	m						
M4D370.06.XX							1/4"	6.0	5.7					
M4D370.08.XX	282	97	370	47	272	30	5/16"	5.3	5.0					
M4D370.10.XX							3/8"	4.5	4.2					
M4D370.12.XX	292	107					1/2"	3.5	3.2					
M4D400.06.XX							1/4"	7.3	7.0					
M4D400.08.XX	282	97	400	47	272	31	5/16"	6.5	6.2					
M4D400.10.XX							3/8"	5.6	5.3					
M4D400.12.XX	292	107					1/2"	4.5	4.2					
M4D420.06.XX							1/4"	8.6	8.1					
M4D420.08.XX	282	97	420	47	322	42	5/16"	8.0	7.5					
M4D420.10.XX							3/8"	6.7	6.2					
M4D420.12.XX	292	107					1/2"	4.7	4.2					
M4D470.06.XX							1/4"	11.5	11.0					
M4D470.08.XX	282	97	478	47	322	44	5/16"	10.0	9.5					
M4D470.10.XX							3/8"	9.5	9.0					
M4D470.12.XX	292	107					1/2"	7.5	7.0					
M4D520.06.XX							1/4"	14.5	14.0					
M4D520.08.XX	282	97	520	47	422	53	5/16"	12.5	12.0					
M4D520.10.XX							3/8"	11.2	10.7					
M4D520.12.XX	292	107					1/2"	9.0	8.5					
M4D570.06.XX							1/4"	17.5	17.0					
M4D570.08.XX	282	97	570	47	422	75	5/16"	15.5	15.0					
M4D570.10.XX							3/8"	13.5	13.0					
M4D570.12.XX	292	107					1/2"	10.7	10.2					
M4D600.06.XX							1/4"	21.0	20.5					
M4D600.08.XX	282	97	620	47	422	77	5/16"	17.0	16.5					
M4D600.10.XX							3/8"	16.0	15.5					
M4D600.12.XX	292	107					1/2"	12.5	12.0					
M4D650.06.XX							1/4"	22.5	22.0					
M4D650.08.XX	282	97	650	47	422	79	5/16"	19.5	19.0					
M4D650.10.XX							3/8"	17.5	17.0					
M4D650.12.XX	292	107					1/2"	14.5	14.0					
M4D700.06.XX							1/4"	27.0	26.5					
M4D700.08.XX	282	97	720	47	532	81	5/16"	22.0	21.5					
M4D700.10.XX							3/8"	20.0	19.5					
M4D700.12.XX	292	107					1/2"	16.0	15.5					
M4D800.10.XX	282	97	820				3/8"	26.0	25.0					
M4D800.12.XX	292	107					1/2"	21.0	20.0					

## AVVOLGITUBO A 4 VIE IDRAULICHE "SERIE 19"

## "SERIES 19" 4 PORT HOSE REEL

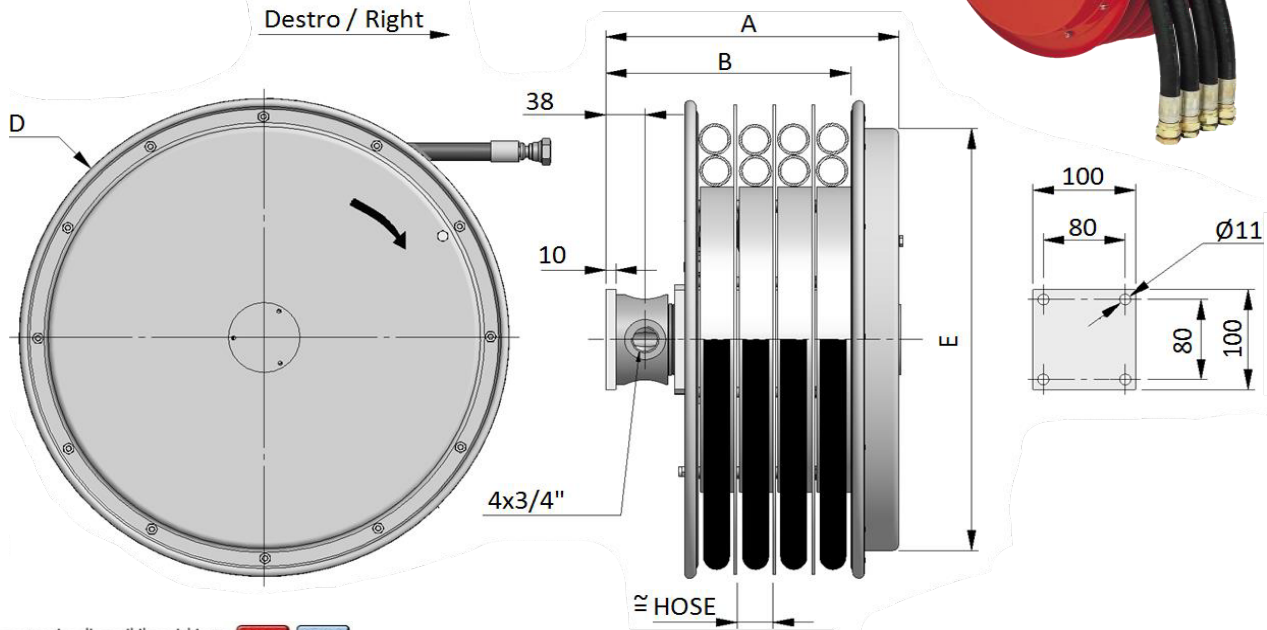
# A4.19

Max flow rate: 80 l/min  
 Working pressure: standard 300 bar  
 optional 400 bar  
 Max hose speed: 30 m/min  
 Temperature range: -20/+80°C  
 Optional temperature range: -40/+80°C



Corsa verticale verso il basso opzionale  
 Vertical downwards is optional

A4D400=modello destro/right model  
 A4S400=modello sinistro/left model



Disegno tecnico disponibile a richiesta   
 Technical drawing available on request

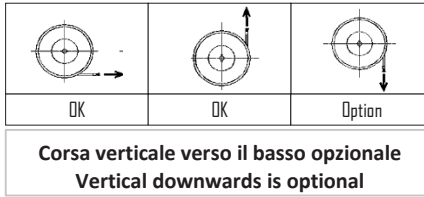
Modello destro Right model	A	B	D	E	Senza tubo Without hose	Ø	Con tubo - with 1SN / 2SC hose				Con tubo - with 4SP hose							
							Lungh.totale Total length		Lungh.utile Usable length		1SN XX=1SN		2SC XX=2SC		Lungh.totale Total length		Lungh.utile Usable length	4SP XX=4SP
							m		m						m		m	
A4D420.19.16.XX	296	247	420	322	44	5/8"	2.6	2.1			2.6	2.1						
A4D420.19.19.XX						3/4"	2.6	2.1			1.8	1.3						
A4D470.19.16.XX	296	247	478	322	46	5/8"	4.0	3.5			4.0	3.5						
A4D470.19.19.XX						3/4"	4.0	3.5			3.0	2.5						
A4D520.19.16.XX	296	247	520	422	53	5/8"	5.5	5.0			4.5	4.0						
A4D520.19.19.XX						3/4"	4.2	3.7			4.2	3.7						
A4D570.19.16.XX	296	247	570	422	56	5/8"	7.2	6.7			6.0	5.5						
A4D570.19.19.XX						3/4"	5.9	5.4			5.9	5.4						
A4D600.19.16.XX	306	247	620	422	70	5/8"	9.5	8.7			7.5	7.0						
A4D600.19.19.XX						3/4"	7.6	7.1			7.3	6.8						
A4D700.19.16.XX	450	247	720	422	71	5/8"	13.0	12.5			11.5	11.0						
A4D700.19.19.XX						3/4"	10.0	9.5			10.0	9.5						
A4D800.19.16.XX	450	247	820	532	-	5/8"	16.0	15.0			16.0	15.0						
A4D800.19.19.XX						3/4"	14.5	13.5			14.0	13.0						

**AVVOLGITUBO TRIPLEX A 3 VIE IDRAULICHE**

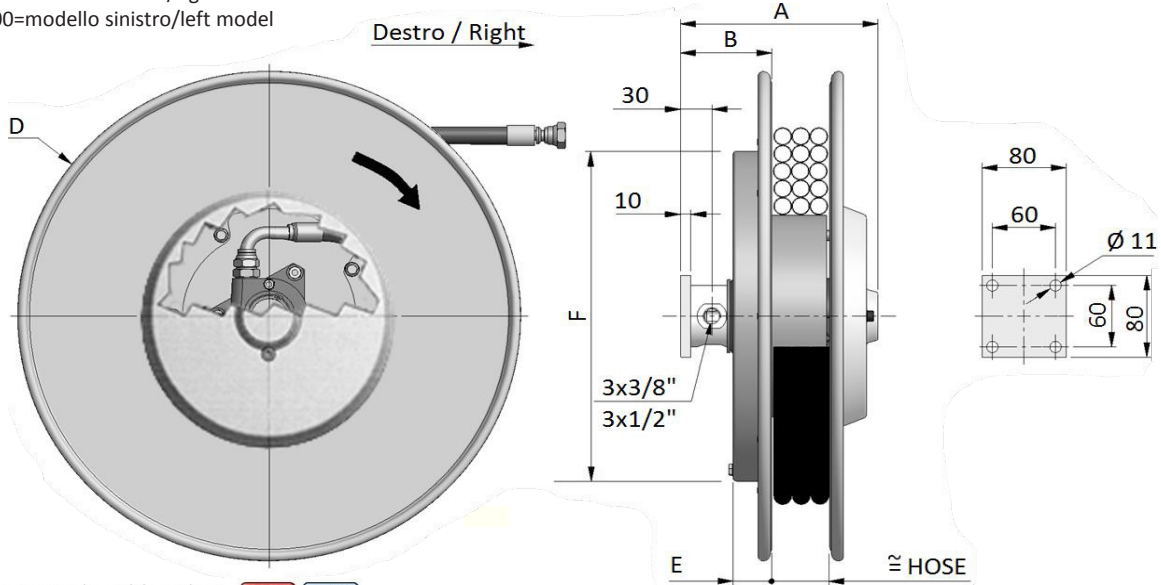
**3 PORT HOSE REEL**

**A3**

Max flow rate: 40 l/min  
 Working pressure: standard 300 bar  
 optional 400 bar  
 Max hose speed: 30 m/min  
 Temperature range: -20/+80°C  
 Optional temperature range: -40/+80°C



A3D400=modello destro/right model  
 A3S400=modello sinistro/left model



Disegno tecnico disponibile a richiesta   
 Technical drawing available on request

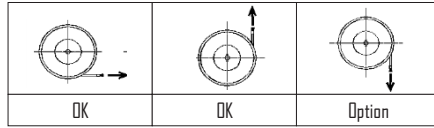
Modello destro Right model	A	B	D	E	F	Senza tubo Without hose		Ø	Con tubo - with hose					
						kg	m		Lungh. totale	Lungh. Utile	R7	B1	B3	
									Total length	Usable length	XX=R7	XX=B1	XX=B3	
								m						
A3D296.06.XX	185	87	295	37	272	16			1/4"	3.0	2.7			
A3D296.08.XX									5/16"	2.3	2.0			
A3D296.10.XX									3/8"	2.3	2.0			
A3D296.12.XX	250	127							1/2"	1.5	1.2			
A3D321.06.XX	185	87	325	37	272	17			1/4"	4.0	3.7			
A3D321.08.XX									5/16"	3.2	2.9			
A3D321.10.XX									3/8"	3.3	3.0			
A3D321.12.XX	250	127							1/2"	2.5	2.2			
A3D341.06.XX	185	87	340	37	272	18			1/4"	5.0	4.7			
A3D341.08.XX									5/16"	4.2	3.9			
A3D341.10.XX									3/8"	4.0	3.7			
A3D341.12.XX	250	127							1/2"	2.5	2.2			
A3D370.06.XX	185	87	370	37	272	18			1/4"	6.0	5.7			
A3D370.08.XX									5/16"	5.3	5.0			
A3D370.10.XX									3/8"	4.5	4.2			
A3D370.12.XX	250	127							1/2"	3.5	3.2			
A3D400.06.XX	185	87	400	47	272	19			1/4"	7.3	7.0			
A3D400.08.XX									5/16"	6.5	6.2			
A3D400.10.XX									3/8"	5.6	5.3			
A3D400.12.XX	250	127							1/2"	4.5	4.2			
A3D420.06.XX	185	87	420	47	322	22			1/4"	8.6	8.1			
A3D420.08.XX									5/16"	8.0	7.5			
A3D420.10.XX									3/8"	6.7	6.2			
A3D420.12.XX	250	127							1/2"	4.7	4.2			
A3D470.06.XX	198	97	478	47	322	24			1/4"	11.5	11.0			
A3D470.08.XX									5/16"	10.0	9.5			
A3D470.10.XX									3/8"	9.5	9.0			
A3D 470.12.XX	250	127							1/2"	7.5	7.0			

## AVVOLGITUBO TRIPLEX A 3 VIE IDRAULICHE

## 3 PORT HOSE REEL

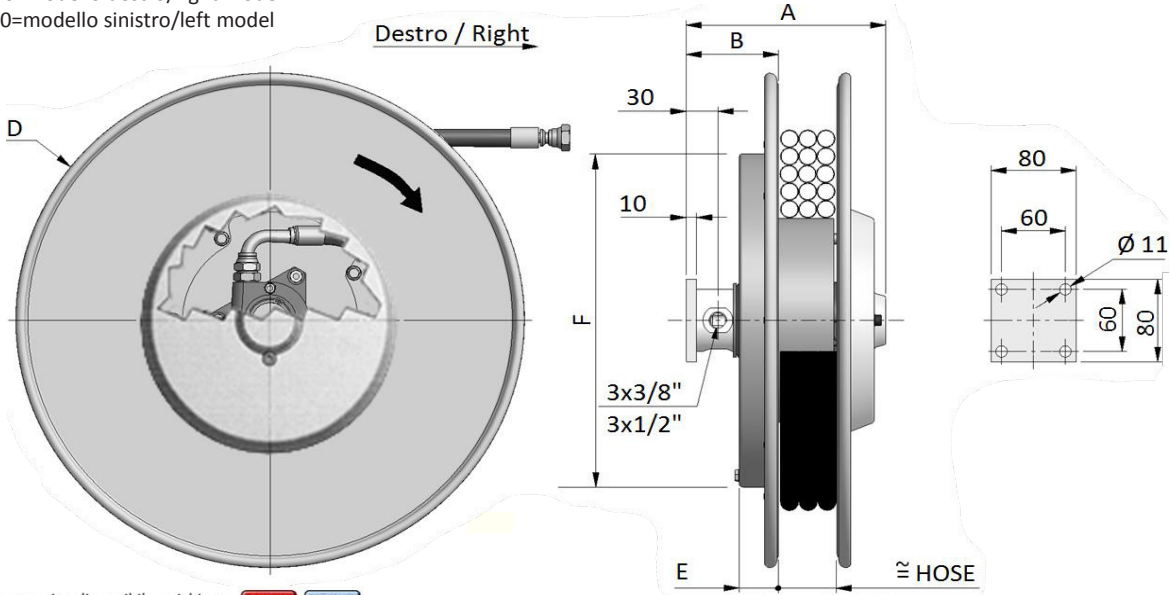
# A3

Max flow rate: 40 l/min  
 Working pressure: standard 300 bar  
 optional 400 bar  
 Max hose speed: 30 m/min  
 Temperature range: -20/+80°C  
 Optional temperature range: -40/+80°C

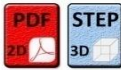


**Corsa verticale verso il basso opzionale**  
**Vertical downwards is optional**

A3D400=modello destro/right model  
 A3S400=modello sinistro/left model



Disegno tecnico disponibile a richiesta  
 Technical drawing available on request



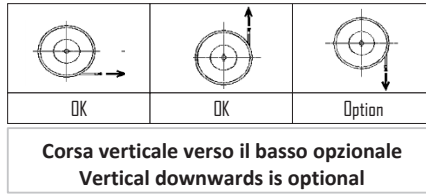
Modello destro Right model	A	B	D	E	F	Senza tubo Without hose		Con tubo - with hose					
						kg	Ø	Lungh. totale Total length	Lungh. Utile Usable length	R7 XX=R7	B1 XX=B1	B3 XX=B3	
mm						kg	Ø	m	m				
A3D520.06.XX	198	97	520	47	322	28		1/4"	14.5	14.0			
A3D520.08.XX								5/16"	12.5	12.0			
A3D520.10.XX								3/8"	11.2	10.7			
A3D520.12.XX	250	127						1/2"	9.0	8.5			
A3D570.06.XX	198	97	570	47	422	32		1/4"	17.5	17.0			
A3D570.08.XX								5/16"	15.5	15.0			
A3D570.10.XX								3/8"	13.5	13.0			
A3D570.12.XX	250	127						1/2"	10.7	10.2			
A3D600.06.XX	198	97	620	47	422	38		1/4"	21.0	20.5			
A3D600.08.XX								5/16"	17.0	16.5			
A3D600.10.XX								3/8"	16.0	15.5			
A3D600.12.XX	250	127						1/2"	12.5	12.0			
A3D650.06.XX	198	97	650	47	422	44		1/4"	22.5	22.0			
A3D650.08.XX								5/16"	19.5	19.0			
A3D650.10.XX								3/8"	17.5	17.0			
A3D650.12.XX	250	127						1/2"	14.5	14.0			
A3D700.06.XX	198	97	720	57	422	50		1/4"	27.0	26.5			
A3D700.08.XX								5/16"	22.0	21.5			
A3D700.10.XX								3/8"	20.0	19.5			
A3D700.12.XX	250	127						1/2"	16.0	15.5			
A3D800.08.XX	198	97	820	57	532	-		5/16"	30.0	29.0			
A3D800.10.XX								3/8"	26.0	25.0			
A3D800.12.XX								1/2"	21.0	20.0			
A3D900.08.XX	198	97	920	57	532	-		5/16"	38.0	37.0			
A3D900.10.XX								3/8"	34.0	33.0			
A3D900.12.XX								1/2"	28.0	27.0			

## AVVOLGITUBO A 3 VIE IDRAULICHE

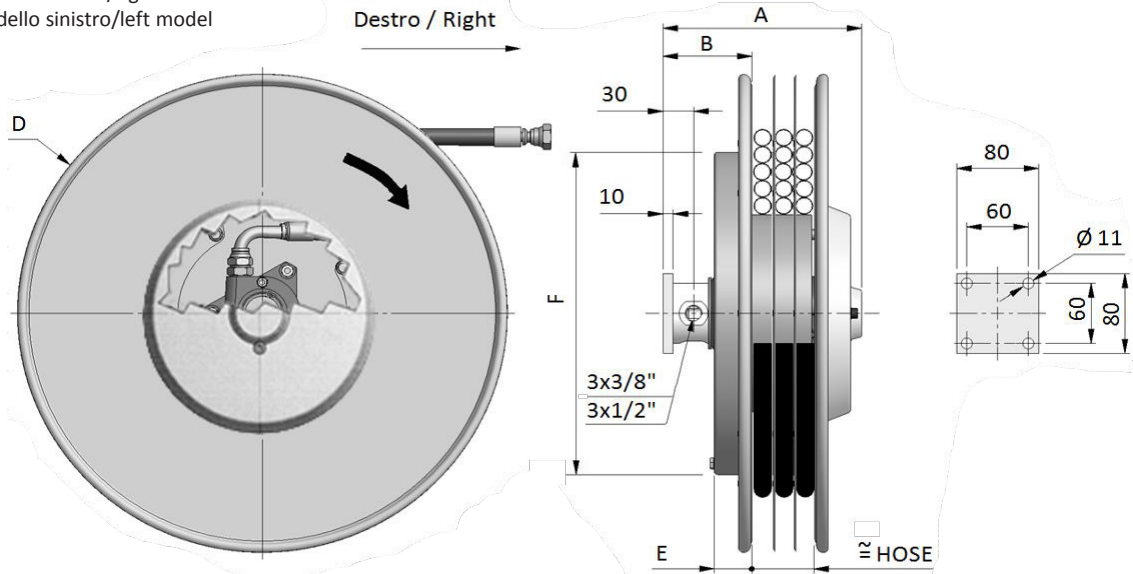
## 3 PORT HOSE REEL

# S3

Max flow rate: 40 l/min  
 Working pressure: standard 300 bar  
 optional 400 bar  
 Max hose speed: 30 m/min  
 Temperature range: -20/+80°C  
 Optional temperature range: -40/+80°C



S3D400=modello destro/right model  
 S3S400=modello sinistro/left model



Disegno tecnico disponibile a richiesta   
 Technical drawing available on request

Modello destro Right model	A	B	D	E	F	Senza tubo Without hose	Ø	Con tubo - with 1SN / 2SC hose				Con tubo - with 4SP hose			
								Lungh.totale	Lungh. Utile	1SN	2SC	Lungh.totale	Lungh.utile	4SP	
								Total length	Usable length	XX=1SN	XX=2SC	Total length	Usable length	XX=4SP	
								m	m			m	m		
S3D296.06.XX	161	75	295	35	291	17	1/4"	2.3	2.0			-	-		
S3D296.08.XX							5/16"	1.4	1.1			-	-		
S3D296.10.XX							3/8"	1.5	1.2			-	-		
S3D296.12.XX							1/2"	1.5	1.2			-	-		
S3D321.06.XX	161	82	325	37	272	18	1/4"	3.3	3.0			-	-		
S3D321.08.XX							5/16"	2.3	2.0			-	-		
S3D321.10.XX							3/8"	2.4	2.1			-	-		
S3D321.12.XX							1/2"	1.5	1.2			-	-		
S3D341.06.XX	161	82	340	37	272	19	1/4"	3.3	3.0			-	-		
S3D341.08.XX							5/16"	3.3	3.0			-	-		
S3D341.10.XX							3/8"	2.4	2.1			-	-		
S3D341.12.XX							1/2"	2.5	2.2			-	-		
S3D370.06.XX	161	82	370	37	272	20	1/4"	4.3	4.0			-	-		
S3D370.08.XX							5/16"	4.4	4.1			-	-		
S3D370.10.XX							3/8"	3.5	3.2			-	-		
S3D370.12.XX							1/2"	3.6	3.3			-	-		
S3D400.06.XX	161	82	400	47	322	21	1/4"	5.5	5.2			-	-		
S3D400.08.XX							5/16"	5.7	5.4			-	-		
S3D400.10.XX							3/8"	4.6	4.3			-	-		
S3D400.12.XX							1/2"	3.6	3.3			-	-		
S3D420.06.XX	161	82	420	47	322	24	1/4"	6.7	6.2			-	-		
S3D420.08.XX							5/16"	5.7	5.2			-	-		
S3D420.10.XX							3/8"	4.6	4.3			-	-		
S3D420.12.XX							1/2"	3.6	3.1			-	-		



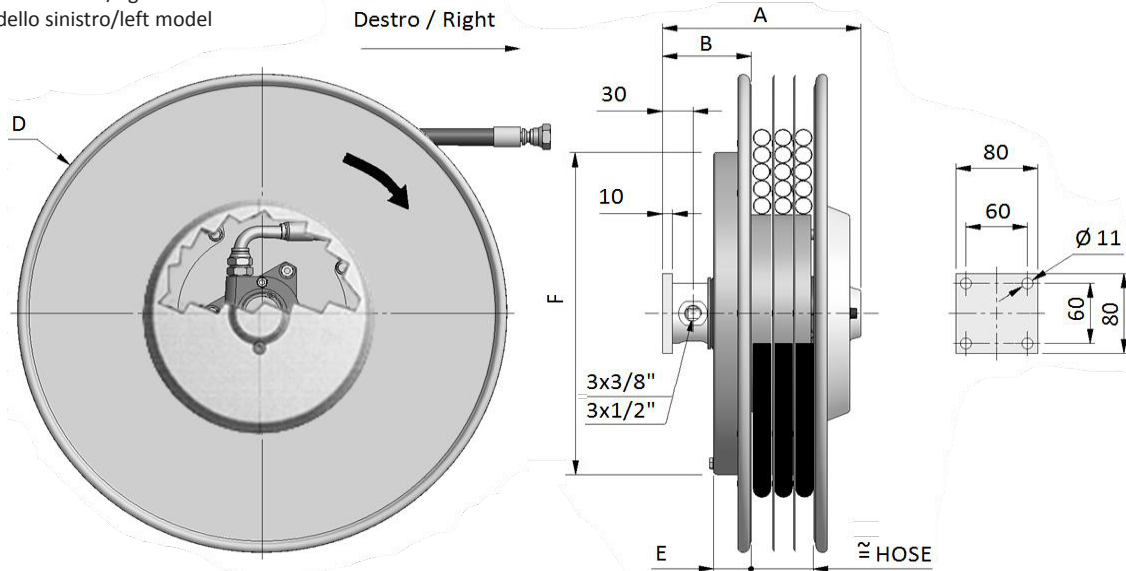
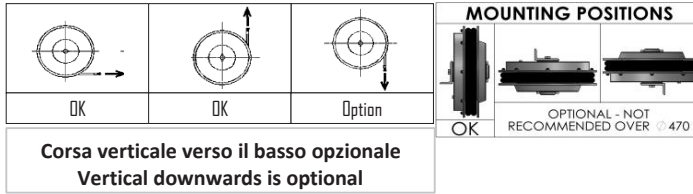
## AVVOLGITUBO A 3 VIE IDRAULICHE

## 3 PORT HOSE REEL

# S3

Max flow rate: 40 l/min  
 Working pressure: standard 300 bar  
 optional 400 bar  
 Max hose speed: 30 m/min  
 Temperature range: -20/+80°C  
 Optional temperature range: -40/+80°C

S3D400=modello destro/right model  
 S3S400=modello sinistro/left model



Disegno tecnico disponibile a richiesta   
 Technical drawing available on request

Modello destro Right model	A	B	D	E	F	Senza tubo Without hose	kg	Ø	Con tubo - with 1SN / 2SC hose				Con tubo - with 4SP hose		
									Lungh. totale Total length	Lungh. Utile Usable length	1SN	2SC	Lungh. totale Total length	Lungh. utile Usable length	4SP
											XX=1SN	XX=2SC			
									m	m		m	m		
S3D470.06.XX								1/4"	9.5	9.0			-	-	
S3D470.08.XX								5/16"	8.4	7.9			-	-	
S3D470.10.XX	161	82	478	47	322	26		3/8"	7.3	6.8			-	-	
S3D470.12.XX								1/2"	6.3	5.8			3.6	3.3	
S3D520.06.XX								1/4"	11.1	10.6			-	-	
S3D520.08.XX								5/16"	9.9	9.4			-	-	
S3D520.10.XX	171	92	520	47	422	31		3/8"	8.9	8.4			-	-	
S3D520.12.XX								1/2"	7.9	7.4			5.0	4.7	
S3D570.06.XX								1/4"	14.5	14.0			-	-	
S3D570.08.XX								5/16"	11.6	11.1			-	-	
S3D570.10.XX	171	92	570	47	422	35		3/8"	10.6	10.1			-	-	
S3D570.12.XX								1/2"	9.7	9.2			6.7	6.2	
S3D600.06.XX								1/4"	16.3	15.8			-	-	
S3D600.08.XX								5/16"	15.2	14.7			-	-	
S3D600.10.XX	171	92	620	47	422	42		3/8"	12.3	11.8			-	-	
S3D600.12.XX								1/2"	11.4	10.9			8.5	8.0	
S3D650.06.XX								1/4"	18.3	17.8			-	-	
S3D650.08.XX								5/16"	17.2	16.7			-	-	
S3D650.10.XX	181	102	650	57	422	48		3/8"	14.3	13.8			-	-	
S3D650.12.XX								1/2"	11.8	11.3			10.5	10.0	
S3D700.06.XX								1/4"	22.5	22.0			-	-	
S3D700.08.XX								5/16"	19.3	18.8			-	-	
S3D700.10.XX	181	102	720	57	532	55		3/8"	18.5	18.0			-	-	
S3D700.12.XX								1/2"	15.0	14.5			12.6	12.1	

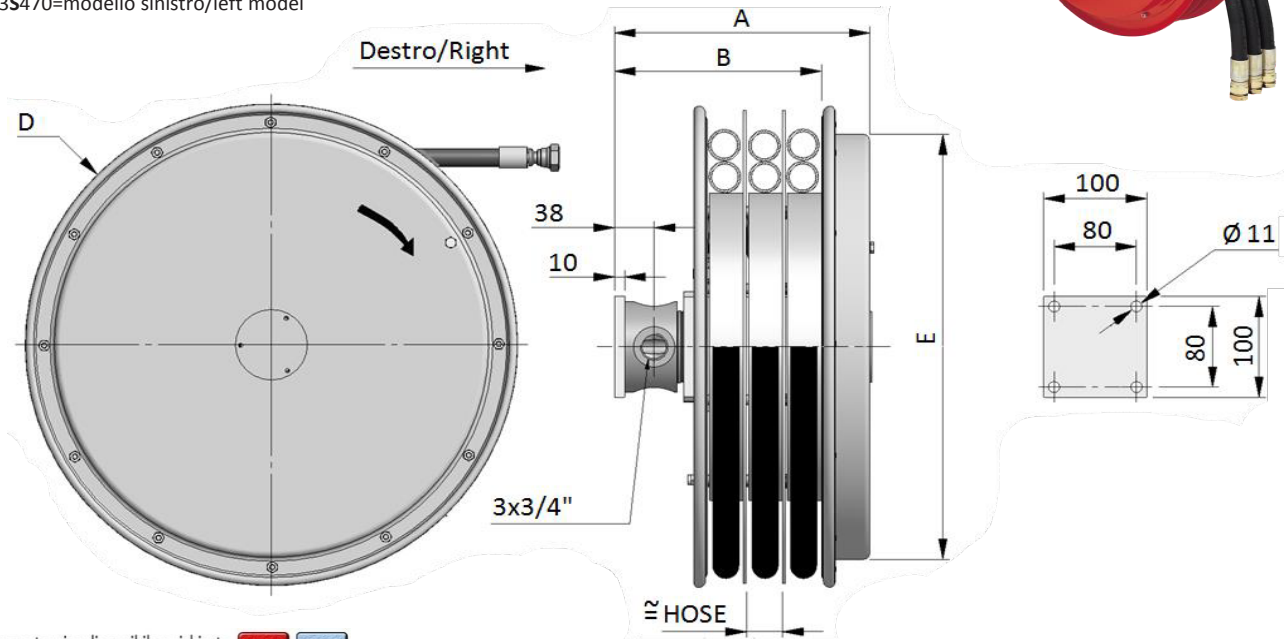
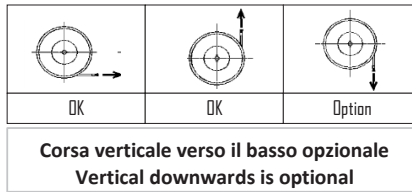
## AVVOLGITUBO A 3 VIE IDRAULICHE "SERIE 19"

## "SERIES 19" 3 PORT HOSE REEL

# A3.19

Max flow rate: 80 l/min  
 Working pressure: standard 300 bar  
 optional 400 bar  
 Max hose speed: 30 m/min  
 Temperature range: -20/+80°C  
 Optional temperature range: -40/+80°C

A3D470=modello destro/right model  
 A3S470=modello sinistro/left model



Disegno tecnico disponibile a richiesta   
 Technical drawing available on request

Modello destro Right model	A	B	D	E	Senza tubo Without hose		Con tubo - with 1SN / 2SC hose				Con tubo - with 4SP hose			
					kg	Ø	Lungh. totale	Lungh. utile	1SN	2SC	Lungh. totale	Lungh. utile	4SP	
							Total length	Usable length	XX=1SN	XX=2SC	Total length	Usable length	XX=4SP	
							m	m			m	m		
A3D420.19.16.XX	246	209	420	322	43		5/8"	2.6	2.1			2.6	2.1	
A3D420.19.19.XX							3/4"	2.6	2.1			1.8	1.3	
A3D470.19.16.XX	246	189	478	422	45		5/8"	4.0	3.5			4.0	3.5	
A3D470.19.19.XX							3/4"	4.0	3.5			3.0	2.5	
A3D520.19.16.XX	246	189	520	422	52		5/8"	5.5	5.0			4.5	4.0	
A3D520.19.19.XX							3/4"	4.2	3.7			4.2	3.7	
A3D570.19.16.XX	256	189	570	422	55		5/8"	7.2	6.7			6.0	5.5	
A3D570.19.19.XX							3/4"	5.9	5.4			5.9	5.4	
A3D600.19.16.XX	256	189	620	422	68		5/8"	9.5	8.7			7.5	7.0	
A3D600.19.19.XX							3/4"	7.6	7.1			7.3	6.8	
A3D700.19.16.XX	266	199	720	422	70		5/8"	13.0	12.5			11.5	11.0	
A3D700.19.19.XX							3/4"	10.0	9.5			10.0	9.5	
A3D800.19.16.XX	266	199	820	532	-		5/8"	16.0	15.0			16.0	15.0	
A3D800.19.19.XX							3/4"	14.5	13.5			14.0	13.0	

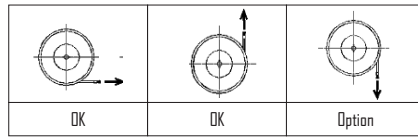
## AVVOLGITUBO A 3 VIE IDRAULICHE "SERIE 25"

## "SERIES 25" 3 PORT HOSE REEL

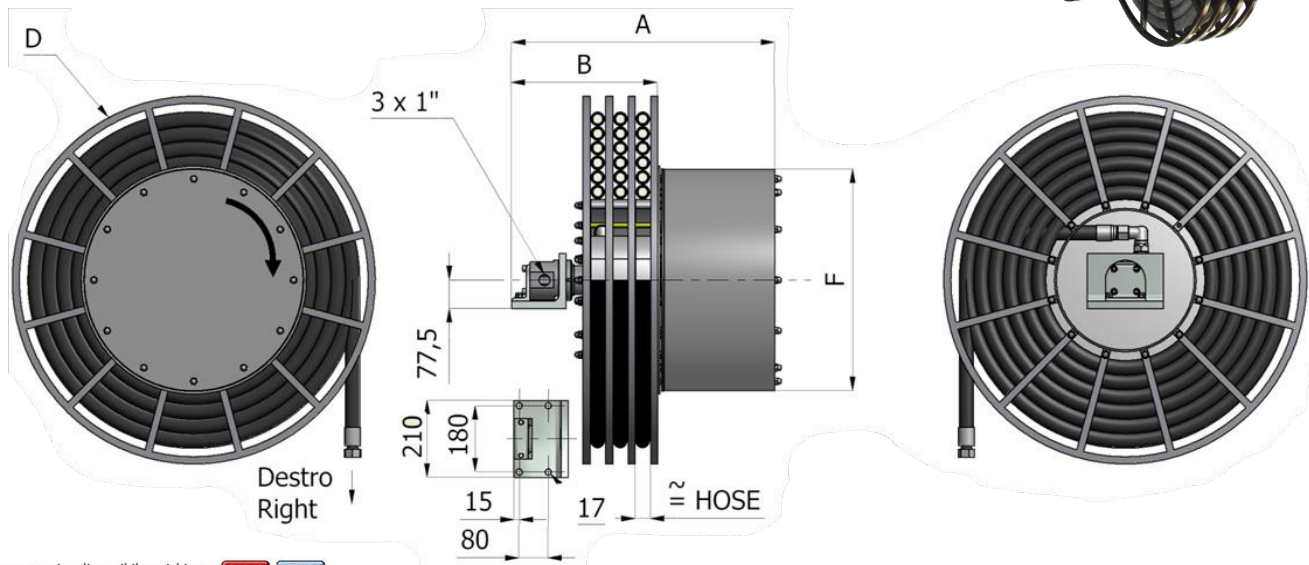
## A3.25

Max flow rate: 135 l/min  
 Working pressure: standard 300 bar  
 optional 400 bar  
 Max hose speed: 30 m/min  
 Temperature range: -20/+80 °C  
 Optional temperature range: -40/+80 °C

A3D700=modello destro/right model  
 A3S700=modello sinistro/left model



Corsa verticale verso il basso opzionale  
 Vertical downwards is optional



Disegno tecnico disponibile a richiesta  
 Technical drawing available on request



Modello destro Right model	A	B	D	F	Senza tubo Without hose	CON TUBO / WITH HOSE									
						Ø	Lungh. totale	Lungh. Utile	2SC	Lungh. totale	Lungh. utile	4SP	Lungh. totale	Lungh. utile	4SH
							Total length	Usable length	XX=2SC	Total length	Usable length	XX=4SP	Total length	Usable length	XX=4SH
A3D700.25.25.XX	405	263	720	605		1"	6.4	5.4		-	-		6.4	5.4	
A3D800.25.19.XX	405	263	810	605		3/4"	12.0	11.0		10.0	9.0		-	-	
A3D800.25.25.XX	405	263	810	605		1"	10.0	9.0		-	-		8.6	7.6	
A3D900.25.12.XX	542	300	910	605		1/2"	21.0	20.0		21.0	20.0		-	-	
A3D900.25.16.XX	542	300	910	605		5/8"	19.0	18.0		17.0	16.0		-	-	
A3D900.25.19.XX	542	300	910	605		3/4"	15.0	14.0		15.0	14.0		-	-	
A3D900.25.25.XX	542	300	910	605		1"	13.5	12.5		-	-		11.2	10.2	
A3D1000.25.12.XX	542	300	1000	605		1/2"	25.0	24.0		25.0	24.0		-	-	
A3D1000.25.16.XX	542	300	1000	605		5/8"	23.0	22.0		23.0	22.0		-	-	
A3D1000.25.19.XX	542	300	1000	605		3/4"	20.0	19.0		19.0	18.0		-	-	
A3D1000.25.25.XX	542	300	1000	605		1"	15.0	14.0		-	-		15.0	14.0	
A3D1200.25.12.XX											Solo a richiesta				
A3D1200.25.16.XX											Only on request				
A3D1200.25.19.XX											Only on request				
A3D1200.25.25.XX											Only on request				

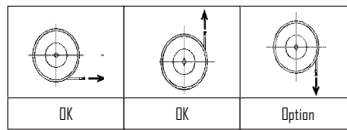
## AVVOLGITUBO A 1 VIA IDRAULICA

## 1 PORT HOSE REEL

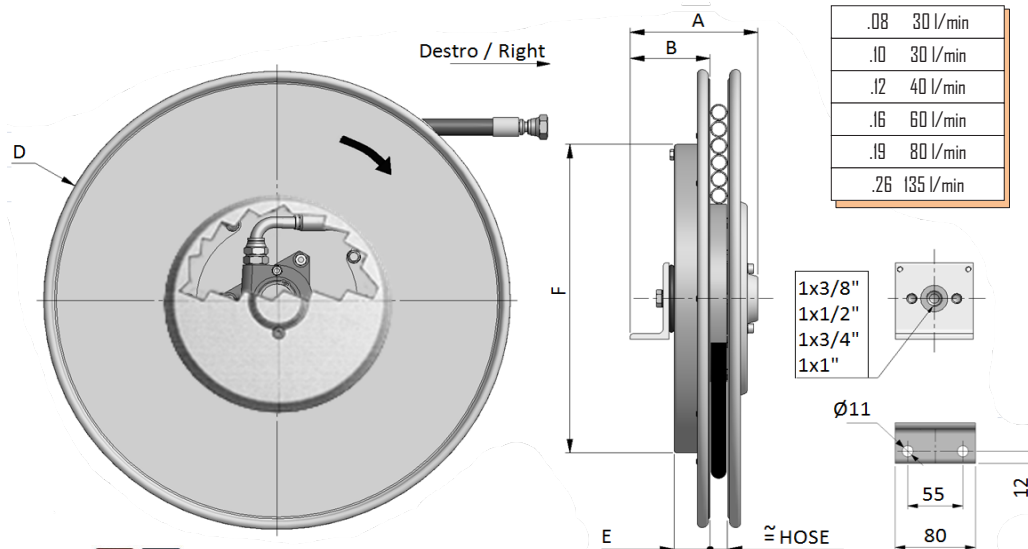
# S1

Max flow rate: 30 ÷ 135 l/min  
 Working pressure: standard 300 bar  
 optional 400 bar  
 Max hose speed: 30 m/min  
 Temperature range: -20/+80°C  
 Optional temperature range: -40/+80°C

S1D400=modello destro/right model  
 S1S400=modello sinistro/left model



Corsa verticale verso il basso opzionale  
 Vertical downwards is optional



Disegno tecnico disponibile a richiesta PDF STEP  
 Technical drawing available on request

Modello destro Right model	A	B	D	E	F	Senza tubo Without hose	Con tubo B1 / 1SN / 2SC- with B1 / 1SN / 2SC hose						Con tubo 4SP - with 4SP hose		Con tubo 4SH - with 4SH hose			
							Ø	Lungh. totale	Lungh. utile	B1 XX=B1	1SN XX=1SN	2SC XX=2SC	Lungh. totale	Lungh. utile	4SP XX=4SP	Lungh. totale	Lungh. utile	4SH
								Total length	Usable length				Total length	Usable length		Total length	Usable length	
S1D296.08.XX	150	82	295	37	272		5/16"	1.4	1.1				-	-	-	-		
S1D296.10.XX							3/8"	1.5	1.2			-	-	-	-			
S1D321.08.XX	150	82	325	37	272		5/16"	2.3	2.0				-	-	-	-		
S1D321.10.XX							3/8"	2.4	2.1			-	-	-	-			
S1D341.08.XX	150	82	340	37	272		5/16"	3.3	3.0				-	-	-	-		
S1D341.10.XX							3/8"	2.4	2.1			-	-	-	-			
S1D341.12.XX							1/2"	2.5	2.2			-	-	-	-			
S1D370.08.XX	150	82	370	37	322		5/16"	4.4	4.1				-	-	-	-		
S1D370.10.XX							3/8"	3.5	3.2			-	-	-	-			
S1D370.12.XX							1/2"	3.6	3.3			-	-	-	-			
S1D400.08.XX	150	92	400	47	322		5/16"	5.7	5.4				-	-	-	-		
S1D400.10.XX							3/8"	4.6	4.3			-	-	-	-			
S1D400.12.XX							1/2"	3.6	3.3			-	-	-	-			
S1D420.08.XX	190	92	420	47	322		5/16"	6.7	6.2				-	-	-	-		
S1D420.10.XX							3/8"	5.7	5.2			-	-	-	-			
S1D420.12.XX							1/2"	4.8	4.3			-	-	-	-			
S1D420.16.XX							5/8"	2.6	2.1				-	-	-	-		
S1D420.19.XX							3/4"	2.6	2.1				-	-	-	-		
S1D470.08.XX	160	92	478	47	322		5/16"	8.4	7.9				-	-	-	-		
S1D470.10.XX							3/8"	7.3	6.8			-	-	-	-			
S1D470.12.XX							1/2"	6.3	5.8			3.6	3.1	-	-			
S1D470.16.XX							5/8"	4.0	3.5			4.0	3.5	-	-			
S1D470.19.XX							3/4"	2.7	2.2			3.0	2.5	-	-			
S1D520.08.XX	160	92	520	47	422		5/16"	9.9	9.4				-	-	-	-		
S1D520.10.XX							3/8"	8.9	8.4			-	-	-	-			
S1D520.12.XX							1/2"	7.9	7.4			5.0	4.5	-	-			
S1D520.16.XX							5/8"	5.0	4.5			4.5	4.0	-	-			
S1D520.19.XX							3/4"	4.2	3.9			4.2	3.7	-	-			
S1D520.26.XX	201	122					1"	2.8	2.5				-	-	2.4	1.9		

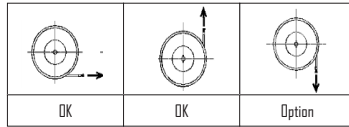
## AVVOLGITUBO A 1 VIA IDRAULICA

## 1 PORT HOSE REEL

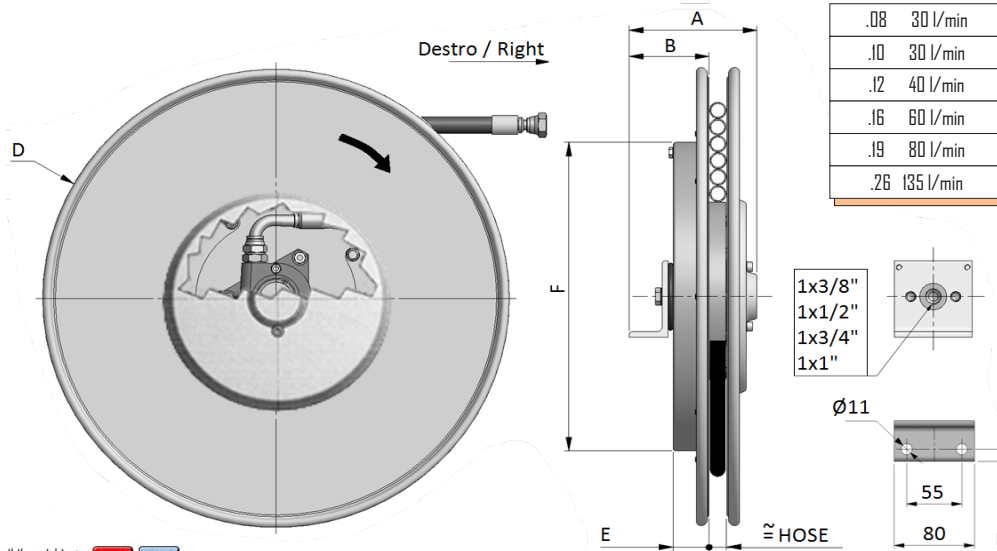
# S1

Max flow rate: 30 ÷ 135 l/min  
 Working pressure: standard 300 bar  
 optional 400 bar  
 Max hose speed: 30 m/min  
 Temperature range: -20/+80°C  
 Optional temperature range: -40/+80°C

S1D400=modello destro/right model  
 S1S400=modello sinistro/left model



Corsa verticale verso il basso opzionale  
 Vertical downwards is optional



Disegno tecnico disponibile a richiesta  
 Technical drawing available on request

Modello destro Right model	A	B	D	E	F	Senza tubo Without hose	Con tubo B1 / 1SN / 2SC- with B1 / 1SN / 2SC hose						Con tubo 4SP - with 4SP hose		Con tubo 4SH - with 4SH hose					
							Ø	Lungh. totale		Lungh. utile		B1	1SN	2SC	Lungh. totale	Lungh. utile	4SP	Lungh. totale	Lungh. utile	4SH
								Total length	Usable length	XX=B1	XX=1SN	XX=2SC	Total length	Usable length	XX=4SP	Total length	Usable length	XX=4SH		
S1D570.10.XX	160	92	570	47	422		3/8"	10.6	10.1				-	-	-	-				
S1D570.12.XX						1/2"	9.7	9.2				6.7	6.2	-	-					
S1D570.16.XX						5/8"	5.7	5.4				6.0	5.5	-	-					
S1D570.19.XX						3/4"	5.3	4.8				5.9	5.4	-	-					
S1D570.26.XX	201	122					1"	4.0	3.7				4.0	3.5						
S1D600.10.XX	160	92	620	47	422		3/8"	12.3	11.8				-	-	-	-				
S1D600.12.XX						1/2"	11.4	10.9				8.5	8.0	-	-					
S1D600.16.XX						5/8"	7.5	7.0				7.5	7.0	-	-					
S1D600.19.XX						3/4"	7.0	6.5				7.3	6.8	-	-					
S1D600.26.XX	201	122					1"	6.0	5.7				4.0	3.5						
S1D650.10.XX	160	92	650	47	422		3/8"	14.3	13.8				-	-	-	-				
S1D650.12.XX						1/2"	11.8	11.3				10.5	10.0	-	-					
S1D650.16.XX						5/8"	9.4	9.1				9.0	8.5	-	-					
S1D650.19.XX						3/4"	7.8	7.5				7.3	6.8	-	-					
S1D650.26.XX	201	122					1"	6.3	6.0				5.8	5.3						
S1D700.10.XX	160	92	720	47	422		3/8"	18.5	18.0				-	-	-	-				
S1D700.12.XX						1/2"	15.0	14.5				12.6	12.1	-	-					
S1D700.16.XX						5/8"	13.0	12.5				11.5	11.0	-	-					
S1D700.19.XX						3/4"	9.8	9.5				10.0	9.5	-	-					
S1D700.26.XX	201	122					1"	8.4	8.1				7.9	7.4						
S1D800.26.19.XX																				
S1D800.26.25.XX																				
S1D900.26.26.XX																				
S1D1000.26.25.XX																				

Solo su richiesta  
 Only on request

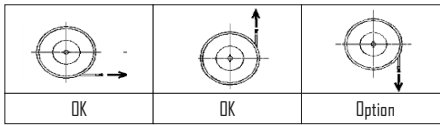


## AVVOLGITUBO A 1 VIA IDRAULICA

## 1 PORT HOSE REEL

# M1

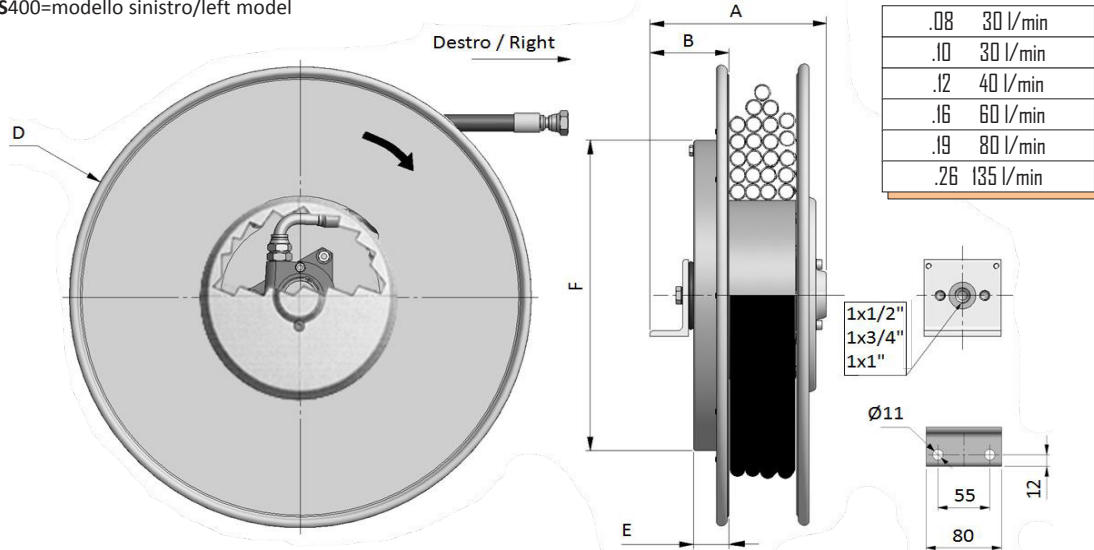
Max flow rate: 30 ÷ 135 l/min  
 Working pressure: standard 300 bar  
 optional 400 bar  
 Max hose speed: 30 m/min  
 Temperature range: -20/+80°C  
 Optional temperature range: -40/+80 °C



Corsa verticale verso il basso opzionale  
 Vertical downwards is optional



M1D400=modello destro/right model  
 M1S400=modello sinistro/left model



Disegno tecnico disponibile a richiesta   
 Technical drawing available on request

Modello destro Right model	A	B	D	E	F	Senza tubo Without hose	Con tubo - with hose					
							Lunghezza totale - Total length (Utile - Usable = - 0,5m)					
							Ø	XX = 1SN		XX = 2SC		XX = B1
m		m		m								
M1D296.06.XX			295				1/4"	4.7		3.5		5.5
M1D321.06.XX							1/4"	5.0		4.7		6.0
M1D321.08.XX	182	92	325	47	292		5/16"	4.5		4.0		5.0
M1D321.10.XX							3/8"	4.5		3.0		4.5
M1D341.06.XX							1/4"	5.5		5.0		6.0
M1D341.08.XX			340				5/16"	4.7		4.7		5.5
M1D341.10.XX							3/8"	4.7		4.5		5.0
M1D370.06.XX							1/4"	7.0		6.0		10.0
M1D370.08.XX			370				5/16"	7.0		5.5		9.0
M1D370.10.XX							3/8"	6.0		5.0		9.0
M1D470.06.XX							1/4"	15.5		14.5		16.0
M1D470.08.XX	193	92	478	47	422		5/16"	14.5		13.5		15.5
M1D470.10.XX							3/8"	13.5		12.5		15.0
M1D520.06.XX							1/4"	17.5		16.0		22.5
M1D520.08.XX	213	92	520	47	422		5/16"	16.5		15.0		21.5
M1D520.10.XX							3/8"	15.5		14.0		21.5
M1D520.12.XX							1/2"	13.5		11.5		16.0
M1D570.08.XX							5/16"	17.5		17.5		18.5
M1D570.10.XX	213	92	570	47	422		3/8"	16.5		16.5		17.5
M1D570.12.XX							1/2"	15.5		14.5		16.5
M1D600.08.XX							5/16"	20.5		20.5		26.0
M1D600.10.XX	225	112	620	57	532		3/8"	20.5		20.5		26.0
M1D600.12.XX							1/2"	20.5		20.5		26.0
M1D700.12.XX							Solo a richiesta					
M1D800.10.XX							Only on request					
M1D800.12.XX												

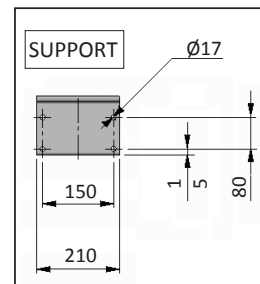
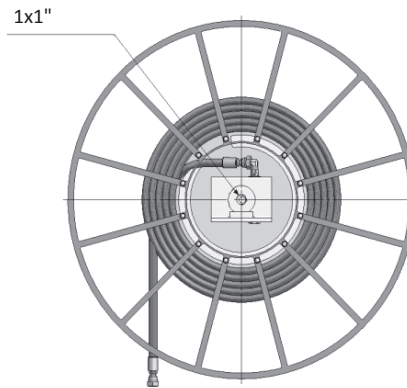
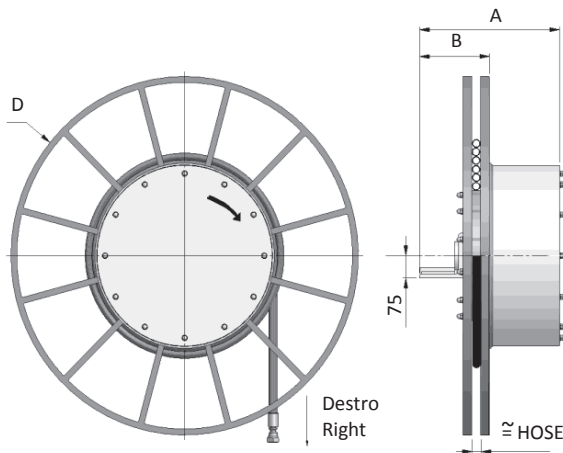
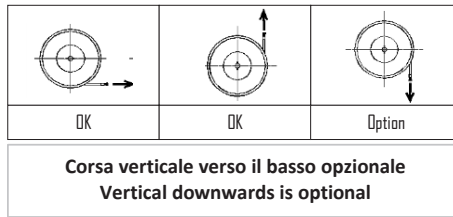
## AVVOLGITUBO A 1 VIA IDRAULICA "SERIE 25"

## "SERIE 25" 1 PORT HOSE REEL

# A1.25

Max flow rate: 135 l/min  
 Working pressure: standard 300 bar  
 optional 400 bar  
 Max hose speed: 30 m/min  
 Temperature range: -20/+80°C  
 Optional temperature range: -40/+80 °C

A1D800=modello destro/right model  
 A1S800=modello sinistro/left model



Disegno tecnico disponibile a richiesta   
 Technical drawing available on request

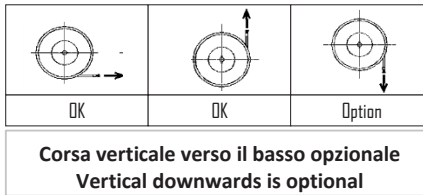
Modello destro Right model	A	B	D	Senza tubo Without hose	Ø	CON TUBO / WITH HOSE					
						2SC		4SP		4SH	
						Lungh. totale Total length	Lungh. utile Usable length	Lungh. totale Total length	Lungh. utile Usable length	Lungh. totale Total length	Lungh. utile Usable length
				kg		XX=2SC		XX=4SP		XX=4SH	
						m		m		m	
A1D800.25.16.XX	-	242	810		5/8"	14.0	13.0	14.0	13.0	-	-
A1D800.25.19.XX	-	242	810		3/4"	12.0	11.0	12.0	11.0	-	-
A1D800.25.25.XX	-	242	810		1"	10.0	9.0	-	-	10.0	9.0
A1D900.25.12.XX	-	242	910		1/2"	21.0	20.0	21.0	20.0	-	-
A1D900.25.16.XX	-	242	910		5/8"	19.0	18.0	19.0	18.0	-	-
A1D900.25.19.XX	-	242	910		3/4"	17.5	16.5	15.0	14.0	-	-
A1D900.25.25.XX	-	242	910		1"	13.5	12.5	-	-	11.2	10.2
A1D1000.25.12.XX	-	242	1000		1/2"	25.0	24.0	25.0	24.0	-	-
A1D1000.25.16.XX	-	242	1000		5/8"	23.0	22.0	23.0	22.0	-	-
A1D1000.25.19.XX	-	242	1000		3/4"	20.0	19.0	19.0	18.0	-	-
A1D1000.25.25.XX	-	242	1000		1"	15.0	14.0	-	-	15.0	14.0
A1D1200.25.12.XX	-	300	1200		1/2"	38.0	37.0	38.0	37.0	-	-
A1D1200.25.16.XX	-	300	1200		5/8"	30.0	29.0	30.0	29.0	-	-
A1D1200.25.19.XX	-	300	1200		3/4"	30.0	29.0	30.0	29.0	-	-
A1D1200.25.25.XX	-	300	1200		1"	26.0	25.0	-	-	23.0	22.0
A1D1400.25.12.XX	-	300	1400		1/2"	45.0	44.0	45.0	44.0	-	-
A1D1400.25.16.XX	-	300	1400		5/8"	40.0	39.0	35.0	34.0	-	-
A1D1400.25.19.XX	-	300	1400		3/4"	35.0	34.0	35.0	34.0	-	-
A1D1400.25.25.XX	-	300	1400		1"	30.0	29.0	-	-	30.0	29.0
A1D1600.25.12.XX	-	300	1600		1/2"	50.0	49.0	50.0	49.0	-	-
A1D1600.25.16.XX	-	300	1600		5/8"	50.0	49.0	50.0	49.0	-	-
A1D1600.25.19.XX	-	300	1600		3/4"	45.0	44.0	45.0	44.0	-	-
A1D1600.25.25.XX	-	300	1600		1"	40.0	39.0	-	-	40.0	39.0

## AVVOLGITUBO GEMELLATO A 5 VIE IDRAULICHE

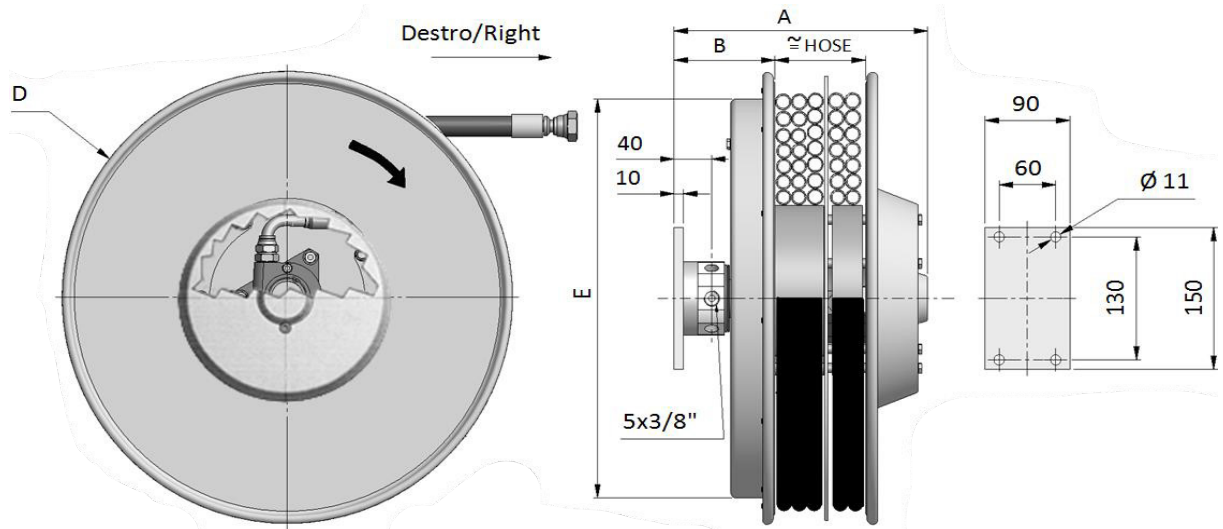
## 5 PORT HOSE REEL

# A5

Max flow rate: 40 l/min  
 Working pressure: standard 300 bar  
 optional 400 bar  
 Max hose speed: 30 m/min  
 Temperature range: -20/+80°C  
 Optional temperature range: -40/+80 °C



A5D400=modello destro/right model  
 A5S400=modello sinistro/left model



Disegno tecnico disponibile a richiesta   
 Technical drawing available on request

Modello destro Right model	A	B	D	E	Senza tubo Without hose		Con tubo - with hose					
					kg	Ø	Lungh.totale Total length	Lungh.utile Usable length	R7 XX=R7	B1 XX=B1	B3 XX=B3	
					m							
A5D296.06.XX	277	107	295	272			1/4"	3.0	2.7			
A5D296.08.XX							5/16"	2.3	2.0			
A5D296.10.XX							3/8"	2.3	2.0			
A5D296.12.XX							1/2"					
A5D321.06.XX	277	107	325	272			1/4"	4.0	3.7			
A5D321.08.XX							5/16"	3.2	2.9			
A5D321.10.XX							3/8"	3.3	3.0			
A5D321.12.XX							1/2"					
A5D341.06.XX	277	107	340	272			1/4"	5.0	4.7			
A5D341.08.XX							5/16"	4.2	3.9			
A5D341.10.XX							3/8"	4.0	3.7			
A5D341.12.XX							1/2"					
A5D370.06.XX	277	107	370	322			1/4"	6.0	5.7			
A5D370.08.XX							5/16"	5.3	5.0			
A5D370.10.XX							3/8"	4.5	4.2			
A5D370.12.XX							1/2"					
A5D400.06.XX	277	107	400	322			1/4"	7.3	7.0			
A5D400.08.XX							5/16"	6.5	6.2			
A5D400.10.XX							3/8"	5.6	5.3			
A5D400.12.XX							1/2"					
A5D420.06.XX	277	107	420	322			1/4"	8.6	8.1			
A5D420.08.XX							5/16"	8.0	7.5			
A5D420.10.XX							3/8"	6.7	6.2			
A5D420.12.XX							1/2"					

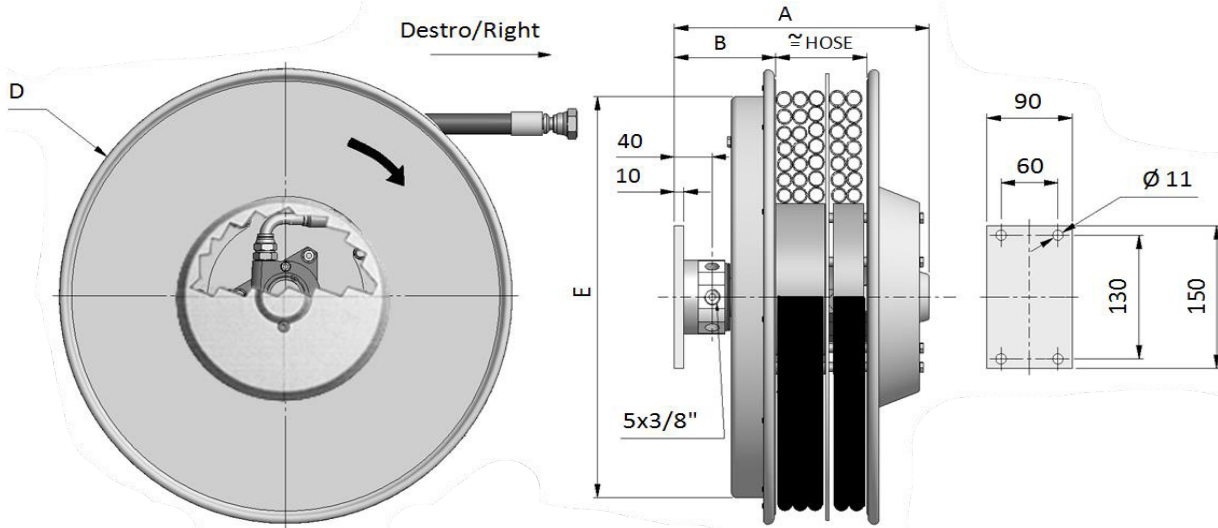
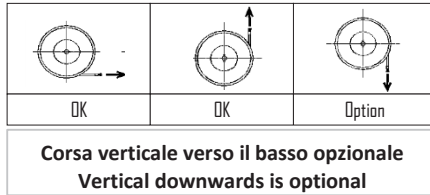
## AVVOLGITUBO GEMELLATO A 5 VIE IDRAULICHE

## 5 PORT HOSE REEL

# A5

Max flow rate: 40 l/min  
 Working pressure: standard 300 bar  
 optional 400 bar  
 Max hose speed: 30 m/min  
 Temperature range: -20/+80°C  
 Optional temperature range: -40/+80 °C

A5D400=modello destro/right model  
 A5S400=modello sinistro/left model



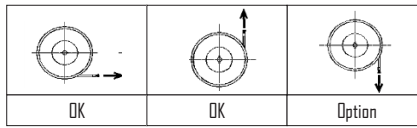
Disegno tecnico disponibile a richiesta   
 Technical drawing available on request

Modello destro Right model	A	B	D	E	Senza tubo Without hose		Con tubo - with hose					
					kg	Ø	Lung.h totale	Lung.utile	R7	B1	B3	
							Total length	Usable length	XX=R7	XX=B1	XX=B3	
A5D470.06.XX	277	107	478	422			1/4"	11.5	11.0			
A5D470.08.XX							5/16"	10.0	9.5			
A5D470.10.XX							3/8"	9.5	9.0			
A5D470.12.XX							1/2"					
A5D520.06.XX	277	107	520	422			1/4"	14.5	14.0			
A5D 520.08.XX							5/16"	12.5	12.0			
A5D520.10.XX							3/8"	11.2	10.7			
A5D520.12.XX							1/2"					
A5D570.06.XX	277	107	570	422			1/4"	17.5	17.0			
A5D570.08.XX							5/16"	15.5	15.0			
A5D570.10.XX							3/8"	13.5	13.0			
A5D570.12.XX							1/2"					
A5D600.06.XX	277	107	620	532			1/4"	21.0	20.5			
A5D600.08.XX							5/16"	17.0	16.5			
A5D600.10.XX							3/8"	16.0	15.5			
A5D600.12.XX							1/2"					
A5D650.06.XX	277	107	650	532			1/4"	22.5	22.0			
A5D650.08.XX							5/16"	19.5	19.0			
A5D650.10.XX							3/8"	17.5	17.0			
A5D650.12.XX							1/2"					
A5D700.06.XX	277	107	720	532			1/4"	27.0	26.5			
A5D700.08.XX							5/16"	22.0	21.5			
A5D700.10.XX							3/8"	20.0	19.5			
A5D700.12.XX							1/2"	16.0	15.5			

## AVVOLGITUBO GEMELLATO A 6 VIE IDRAULICHE 6 PORT HOSE REEL

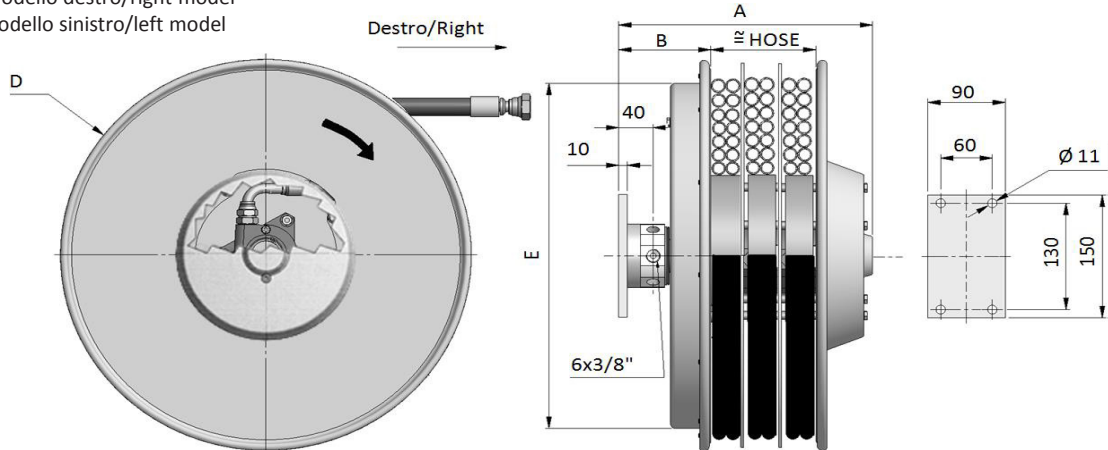
# A6

Max flow rate: 40 l/min  
 Working pressure: standard 300 bar  
 optional 400 bar  
 Max hose speed: 30 m/min  
 Temperature range: -20/+80°C  
 Optional temperature range: -40/+80 °C



**Corsa verticale verso il basso opzionale**  
**Vertical downwards is optional**

A6D400=modello destro/right model  
 A6S400=modello sinistro/left model



Disegno tecnico disponibile a richiesta   
 Technical drawing available on request

Modello destro Right model	A	B	D	E	Senza tubo Without hose		Con tubo - with hose						
					kg	Ø	Lungh.totale	Lung.utile	R7	R8	B1	B2	
							Total length	Usable length	XX=R7	XX=R8	XX=B1	XX=B2	
							m						
A6D295.06.XX	285	107	295	290			1/4"	3.0	2.7				
A6D295.08.XX							5/16"	2.3	2.0				
A6D295.10.XX							3/8"	2.3	2.0				
A6D320.06.XX	285	107	325	272			1/4"	4.0	3.7				
A6D320.08.XX							5/16"	3.2	2.9				
A6D320.10.XX							3/8"	3.3	3.0				
A6D340.06.XX	285	107	340	272			1/4"	5.0	4.7				
A6D340.08.XX							5/16"	4.2	3.9				
A6D340.10.XX							3/8"	4.0	3.7				
A6D370.06.XX	285	107	370	322			1/4"	6.0	5.7				
A6D370.08.XX							5/16"	5.3	5.0				
A6D370.10.XX							3/8"	4.5	4.2				
A6D400.06.XX	285	107	400	322			1/4"	7.3	7.0				
A6D400.08.XX							5/16"	6.5	6.2				
A6D400.10.XX							3/8"	5.6	5.3				
A6D420.06.XX	285	107	420	322			1/4"	8.6	8.1				
A6D420.08.XX							5/16"	8.0	7.5				
A6D420.10.XX							3/8"	6.7	6.2				
A6D470.06.XX	285	107	478	422			1/4"	11.5	11.0				
A6D470.08.XX							5/16"	10.0	9.5				
A6D470.10.XX							3/8"	9.5	9.0				
A6D520.06.XX	285	107	520	422			1/4"	14.5	14.0				
A6D520.08.XX							5/16"	12.5	12.0				
A6D520.10.XX							3/8"	11.2	10.7				
A6D570.08.XX	285	107	570	422			5/16"	15.5	15.0				
A6D570.10.XX							3/8"	13.5	13.0				
A6D600.06.XX	285	107	620	532			1/4"	21.0	20.5				
A6D600.08.XX							5/16"	17.0	16.5				
A6D600.10.XX							3/8"	16.0	15.5				
A6D650.06.XX	285	107	650	532			1/4"	22.5	22.0				
A6D650.08.XX							5/16"	19.5	19.0				
A6D650.10.XX							3/8"	17.5	17.0				
A6D700.06.XX	285	107	720	532			1/4"	27.0	26.5				
A6D700.08.XX							5/16"	22.0	21.5				
A6D700.10.XX							3/8"	20.0	19.5				



AVVOLGITUBO "LS", A 2 VIE IDRAULICHE CON BLOCCO DEL TUBO

"LS" 2 PORT HOSE REEL WITH HOSE LOCK SYSTEM

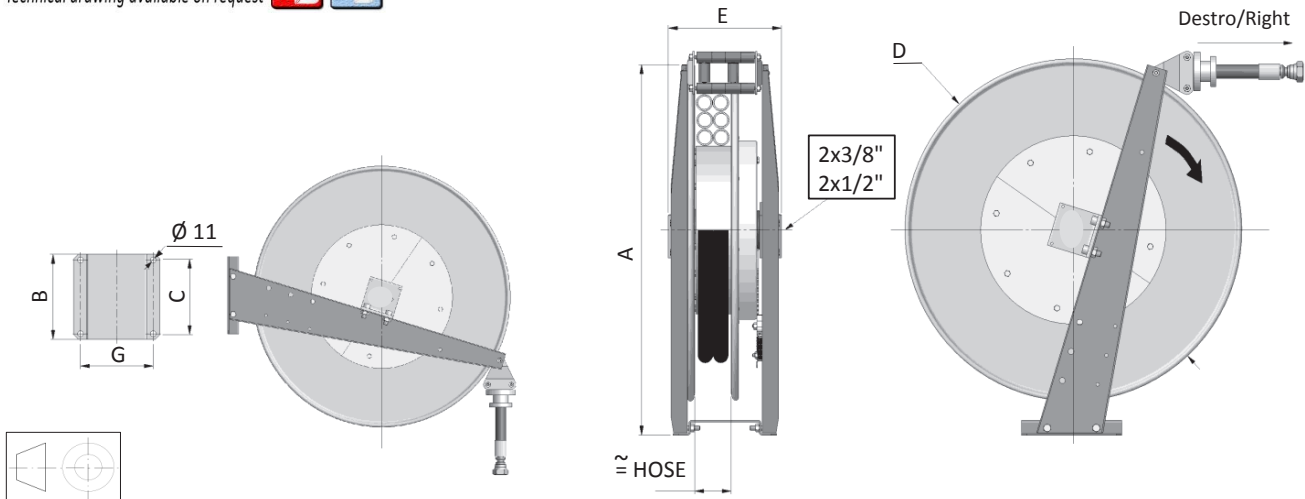
LS

Max flow rate: 40 l/min  
Max working pressure: 700 bar  
Max hose speed: 30 m/min  
Temperature range: -20/+80°C



AGD400=modello destro/right model - AGS400=modello sinistro/left model

Disegno tecnico disponibile a richiesta   
Technical drawing available on request



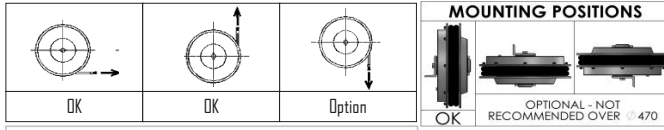
MODELLO MODEL	PRESSIONE WORK.PRESS. MAX bar	A	B	C	D	E	G	Senza tubo Without hose		Tubo /Hose			Con tubo With hose
								kg		type	Ø	m	
								mm					
AGD400.06 LS/300	300	670	200	160	400	200	160	24		B1	1/4"	7.3	
AGD400.08 LS/300											5/16"	6.5	
AGD400.10 LS/300											3/8"	5.6	
AGD470.06 LS/300	300	670	200	160	470	200	160	26		B1	1/4"	11.5	
AGD470.08 LS/300											5/16"	10.5	
AGD470.10 LS/300											3/8"	10.0	
AGD520.06 LS/300	300	670	200	160	520	200	160	27		B1	1/4"	14.5	
AGD520.08 LS/300											5/16"	13.5	
AGD520.10 LS/300											3/8"	12.5	
AGD600.06 LS/300	300	670	200	160	620	200	160	32		B1	1/4"	21.0	
AGD600.08 LS/300											5/16"	17.0	
AGD600.10 LS/300								3/8"			16.0		
AGD600.12 LS/300								1/2"			12.0		
AGD700.06 LS/300	300	780	290	260	720	237	192	39		B1	1/4"	23.0	
AGD700.08 LS/300											5/16"	21.0	
AGD700.10 LS/300								3/8"			21.0		
AGD700.12 LS/300								1/2"			15.0		
AGD800.06 LS/300	300	890	290	260	820	237	192	49		B1	1/4"	28.0	
AGD800.08 LS/300											5/16"	26.0	
AGD800.10 LS/300								3/8"			25.0		
AGD800.12 LS/300								1/2"			21.0		
AGD470.06 LS/700	700	670	200	160	470	200	160	26		B3	1/4"	9.0	
AGD520.06 LS/700												12.5	
AGD600.06 LS/700												17.5	
AGD700.06 LS/700												25.0	
AGD800.06 LS/700												28.0	

**AVVOLGITUBO ELETTRICO-IDRAULICO (2 VIE + CAVO)**

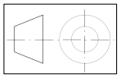
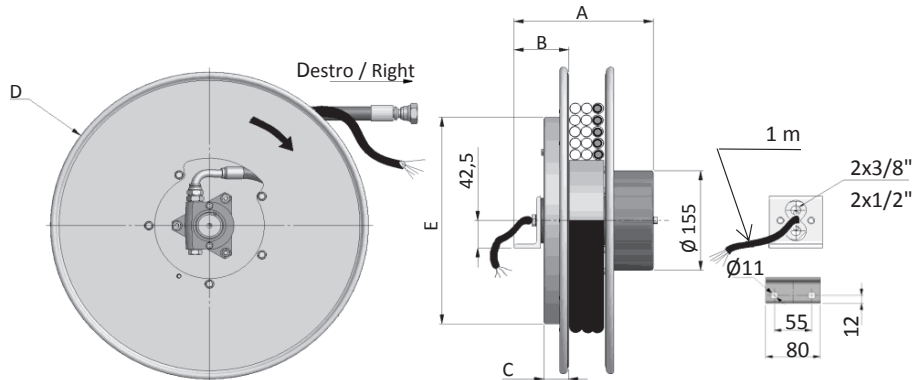
**CABLE HOSE REEL (2 PORTS + CABLE)**

**AG/E**

Max flow rate: 30 l/min  
Working pressure: standard 300 bar  
optional 400 bar  
Max hose speed: 30 m/min  
Temperature range: -20/+80°C  
Max. Voltage: 50 V; max. current: 5 A  
Option for mA and BUS on request  
AGD400=modello destro/right model  
AGS400=modello sinistro/left model



**Corsa verticale verso il basso opzionale  
Vertical downwards is optional**



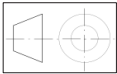
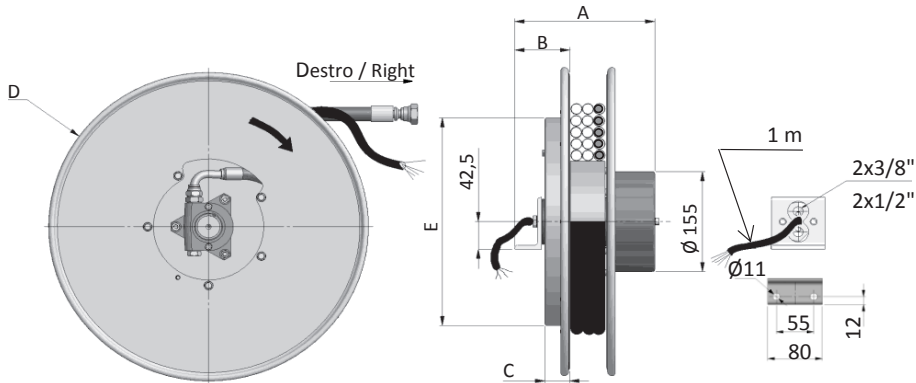
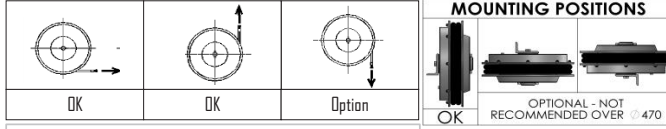
Disegno tecnico disponibile a richiesta   
Technical drawing available on request

Modello destro Right model	A	B	C	D	E	Senza tubo / CON TUBO (Lunghezza totale; utile = -0,5 m) - WITH HOSE (Total length; usable = - 0.5 m)								
						Without hose		1/4" R7 (Y=06 - X=R7)		5/16" R7 (Y=08 - X=R7)		3/8" R7 (Y=10 - X=R7)		3/8" R8 (Y=10 - X=R8)
	mm					kg	Cable	m	Cable	m	Cable	m	Cable	m
AGD270.Y.X/E2	205						2x1 <sup>□</sup>		2x1.5 <sup>□</sup>		2x1.5 <sup>□</sup>		2x1.5 <sup>□</sup>	
AGD270.Y.X/E3	217						3x1 <sup>□</sup>		3x1.5 <sup>□</sup>		3x1.5 <sup>□</sup>		3x1.5 <sup>□</sup>	
AGD270.Y.X/E4	225	75	30	275	272		4x1 <sup>□</sup>	4.0	4x1.5 <sup>□</sup>	3.2	4x1.5 <sup>□</sup>	2.8	4x1.5 <sup>□</sup>	2.8
AGD270.Y.X/E6	245						6x1 <sup>□</sup>		6x1.5 <sup>□</sup>		6x1.5 <sup>□</sup>		6x1.5 <sup>□</sup>	
AGD270.Y.X/E8	245						8x1 <sup>□</sup>		8x1.5 <sup>□</sup>		8x1.5 <sup>□</sup>		8x1.5 <sup>□</sup>	
AGD270.Y.X/E12	280						12x1 <sup>□</sup>		12x1.5 <sup>□</sup>		12x1.5 <sup>□</sup>		12x1.5 <sup>□</sup>	
AGD295.Y.X/E2	205						2x1 <sup>□</sup>		2x1.5 <sup>□</sup>		2x1.5 <sup>□</sup>		2x1.5 <sup>□</sup>	
AGD295.Y.X/E3	217						3x1 <sup>□</sup>		3x1.5 <sup>□</sup>		3x1.5 <sup>□</sup>		3x1.5 <sup>□</sup>	
AGD295.Y.X/E4	225	75	35	295	291		4x1 <sup>□</sup>	4.7	4x1.5 <sup>□</sup>	4.2	4x1.5 <sup>□</sup>	3.6	4x1.5 <sup>□</sup>	3.6
AGD295.Y.X/E6	245						6x1 <sup>□</sup>		6x1.5 <sup>□</sup>		6x1.5 <sup>□</sup>		6x1.5 <sup>□</sup>	
AGD295.Y.X/E8	245						8x1 <sup>□</sup>		8x1.5 <sup>□</sup>		8x1.5 <sup>□</sup>		8x1.5 <sup>□</sup>	
AGD295.Y.X/E12	280						-		12x1.5 <sup>□</sup>		12x1.5 <sup>□</sup>		12x1.5 <sup>□</sup>	
AGD320.Y.X/E2	205						2x1 <sup>□</sup>		2x1.5 <sup>□</sup>		2x1.5 <sup>□</sup>		2x1.5 <sup>□</sup>	
AGD320.Y.X/E3	217						3x1 <sup>□</sup>		3x1.5 <sup>□</sup>		3x1.5 <sup>□</sup>		3x1.5 <sup>□</sup>	
AGD320.Y.X/E4	225	82	37	325	272		4x1 <sup>□</sup>	5.5	4x1.5 <sup>□</sup>	5.0	4x1.5 <sup>□</sup>	4.5	4x1.5 <sup>□</sup>	4.5
AGD320.Y.X/E6	245						6x1 <sup>□</sup>		6x1.5 <sup>□</sup>		6x1.5 <sup>□</sup>		6x1.5 <sup>□</sup>	
AGD320.Y.X/E8	245						8x1 <sup>□</sup>		8x1.5 <sup>□</sup>		8x1.5 <sup>□</sup>		8x1.5 <sup>□</sup>	
AGD320.Y.X/E12	280						-		12x1.5 <sup>□</sup>		12x1.5 <sup>□</sup>		12x1.5 <sup>□</sup>	
AGD340.Y.X/E2	205						2x1 <sup>□</sup>		2x1.5 <sup>□</sup>		2x1.5 <sup>□</sup>		2x1.5 <sup>□</sup>	
AGD340.Y.X/E3	217						3x1 <sup>□</sup>		3x1.5 <sup>□</sup>		3x1.5 <sup>□</sup>		3x1.5 <sup>□</sup>	
AGD340.Y.X/E4	225	82	37	340	272		4x1 <sup>□</sup>	6.0	4x1.5 <sup>□</sup>	5.3	4x1.5 <sup>□</sup>	4.6	4x1.5 <sup>□</sup>	4.6
AGD340.Y.X/E6	245						6x1 <sup>□</sup>		6x1.5 <sup>□</sup>		6x1.5 <sup>□</sup>		6x1.5 <sup>□</sup>	
AGD340.Y.X/E8	245						8x1 <sup>□</sup>		8x1.5 <sup>□</sup>		8x1.5 <sup>□</sup>		8x1.5 <sup>□</sup>	
AGD340.Y.X/E12	280						-		12x1.5 <sup>□</sup>		12x1.5 <sup>□</sup>		12x1.5 <sup>□</sup>	
AGD370.Y.X/E2	205						2x1 <sup>□</sup>		2x1.5 <sup>□</sup>		2x1.5 <sup>□</sup>		2x1.5 <sup>□</sup>	
AGD370.Y.X/E3	217						3x1 <sup>□</sup>		3x1.5 <sup>□</sup>		3x1.5 <sup>□</sup>		3x1.5 <sup>□</sup>	
AGD370.Y.X/E4	225	82	37	370	272		4x1 <sup>□</sup>	6.0	4x1.5 <sup>□</sup>	5.3	4x1.5 <sup>□</sup>	4.6	4x1.5 <sup>□</sup>	4.6
AGD370.Y.X/E6	245						6x1 <sup>□</sup>		6x1.5 <sup>□</sup>		6x1.5 <sup>□</sup>		6x1.5 <sup>□</sup>	
AGD370.Y.X/E8	245						8x1 <sup>□</sup>		8x1.5 <sup>□</sup>		8x1.5 <sup>□</sup>		8x1.5 <sup>□</sup>	
AGD370.Y.X/E12	280						-		12x1.5 <sup>□</sup>		12x1.5 <sup>□</sup>		12x1.5 <sup>□</sup>	
AGD400.Y.X/E2	205						2x1 <sup>□</sup>		2x1.5 <sup>□</sup>		2x1.5 <sup>□</sup>		2x1.5 <sup>□</sup>	
AGD400.Y.X/E3	217						3x1 <sup>□</sup>		3x1.5 <sup>□</sup>		3x1.5 <sup>□</sup>		3x1.5 <sup>□</sup>	
AGD400.Y.X/E4	225	82	37	400	322		4x1 <sup>□</sup>	7.3	4x1.5 <sup>□</sup>	6.5	4x1.5 <sup>□</sup>	5.6	4x1.5 <sup>□</sup>	5.6
AGD400.Y.X/E6	245						6x1 <sup>□</sup>		6x1.5 <sup>□</sup>		6x1.5 <sup>□</sup>		6x1.5 <sup>□</sup>	
AGD400.Y.X/E8	245						8x1 <sup>□</sup>		8x1.5 <sup>□</sup>		8x1.5 <sup>□</sup>		8x1.5 <sup>□</sup>	
AGD400.Y.X/E12	280						-		12x1.5 <sup>□</sup>		12x1.5 <sup>□</sup>		12x1.5 <sup>□</sup>	
AGD420.Y.X/E2	205						2x1 <sup>□</sup>		2x1.5 <sup>□</sup>		2x1.5 <sup>□</sup>		2x1.5 <sup>□</sup>	
AGD420.Y.X/E3	217	82	37	420	322		3x1 <sup>□</sup>	8.6	3x1.5 <sup>□</sup>	8.0	3x1.5 <sup>□</sup>	6.7	3x1.5 <sup>□</sup>	6.7
AGD420.Y.X/E4	225						4x1 <sup>□</sup>		4x1.5 <sup>□</sup>		4x1.5 <sup>□</sup>		4x1.5 <sup>□</sup>	

### AVVOLGITUBO ELETTRO-IDRAULICO (2 VIE + CAVO)

### CABLE HOSE REEL (2 PORTS + CABLE)

Max flow rate: 30 l/min  
 Working pressure: standard 300 bar  
 optional 400 bar  
 Max hose speed: 30 m/min  
 Temperature range: -20/+80°C  
 Max. Voltage: 50 V; max. current: 5 A  
 Option for mA and BUS on request  
 AGD400=modello destro/right model  
 AGS400=modello sinistro/left model



Disegno tecnico disponibile a richiesta  
 Technical drawing available on request



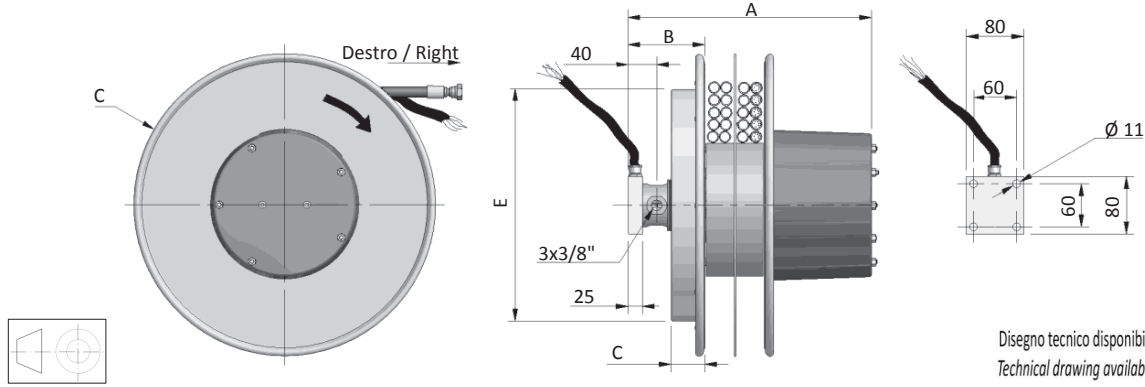
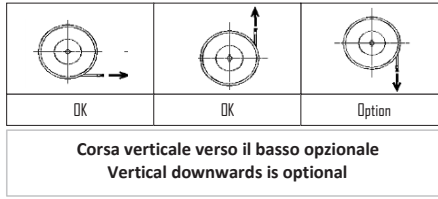
Modello destro Right model	A	B	C	D	E	Senza tubo / Without hose														
						CON TUBO (Lunghezza totale; utile = -0,5 m) - WITH HOSE (Total length; usable = - 0.5 m)		1/4" R7 (Y=06 - X=R7)		5/16" R7 (Y=08 - X=R7)		3/8" R7 (Y=10 - X=R7)		3/8" R8 (Y=10 - X=R8)						
						kg	Cable	m	Cable	m	Cable	m	Cable	m						
AGD420.Y.X/E6	245						6x1 <sup>□</sup>													
AGD420.Y.X/E8	245	82	37	420	322		8x1 <sup>□</sup>	8.6		8x1.5 <sup>□</sup>	8.0		8x1.5 <sup>□</sup>	6.7		8x1.5 <sup>□</sup>	6.7		8x1.5 <sup>□</sup>	6.7
AGD420.Y.X/E12	280						-			12x1.5 <sup>□</sup>			12x1.5 <sup>□</sup>			12x1.5 <sup>□</sup>			12x1.5 <sup>□</sup>	
AGD470.Y.X/E2	205						2x1 <sup>□</sup>			2x1.5 <sup>□</sup>			2x1.5 <sup>□</sup>			2x1.5 <sup>□</sup>			2x1.5 <sup>□</sup>	
AGD470.Y.X/E3	217						3x1 <sup>□</sup>			3x1.5 <sup>□</sup>			3x1.5 <sup>□</sup>			3x1.5 <sup>□</sup>			3x1.5 <sup>□</sup>	
AGD470.Y.X/E4	225	82	37	478	322		4x1 <sup>□</sup>	11.5		4x1.5 <sup>□</sup>	10.0		4x1.5 <sup>□</sup>	9.5		4x1.5 <sup>□</sup>	9.5		4x1.5 <sup>□</sup>	9.5
AGD470.Y.X/E6	245						6x1 <sup>□</sup>			6x1.5 <sup>□</sup>			6x1.5 <sup>□</sup>			6x1.5 <sup>□</sup>			6x1.5 <sup>□</sup>	
AGD470.Y.X/E8	245						8x1 <sup>□</sup>			8x1.5 <sup>□</sup>			8x1.5 <sup>□</sup>			8x1.5 <sup>□</sup>			8x1.5 <sup>□</sup>	
AGD470.Y.X/E12	280						-			12x1.5 <sup>□</sup>			12x1.5 <sup>□</sup>			12x1.5 <sup>□</sup>			12x1.5 <sup>□</sup>	
AGD520.Y.X/E2	205						2x1 <sup>□</sup>			2x1.5 <sup>□</sup>			2x1.5 <sup>□</sup>			2x1.5 <sup>□</sup>			2x1.5 <sup>□</sup>	
AGD520.Y.X/E3	217						3x1 <sup>□</sup>			3x1.5 <sup>□</sup>			3x1.5 <sup>□</sup>			3x1.5 <sup>□</sup>			3x1.5 <sup>□</sup>	
AGD520.Y.X/E4	225	82	37	520	422		4x1 <sup>□</sup>	14.5		4x1.5 <sup>□</sup>	12.5		4x1.5 <sup>□</sup>	11.2		4x1.5 <sup>□</sup>	11.2		4x1.5 <sup>□</sup>	11.2
AGD520.Y.X/E6	245						6x1 <sup>□</sup>			6x1.5 <sup>□</sup>			6x1.5 <sup>□</sup>			6x1.5 <sup>□</sup>			6x1.5 <sup>□</sup>	
AGD520.Y.X/E8	245						8x1 <sup>□</sup>			8x1.5 <sup>□</sup>			8x1.5 <sup>□</sup>			8x1.5 <sup>□</sup>			8x1.5 <sup>□</sup>	
AGD520.Y.X/E12	280						-			12x1.5 <sup>□</sup>			12x1.5 <sup>□</sup>			12x1.5 <sup>□</sup>			12x1.5 <sup>□</sup>	
AGD570.Y.X/E2	205						2x1 <sup>□</sup>			2x1.5 <sup>□</sup>			2x1.5 <sup>□</sup>			2x1.5 <sup>□</sup>			2x1.5 <sup>□</sup>	
AGD570.Y.X/E3	217						3x1 <sup>□</sup>			3x1.5 <sup>□</sup>			3x1.5 <sup>□</sup>			3x1.5 <sup>□</sup>			3x1.5 <sup>□</sup>	
AGD570.Y.X/E4	225	92	47	570	422		4x1 <sup>□</sup>	17.5		4x1.5 <sup>□</sup>	15.5		4x1.5 <sup>□</sup>	13.5		4x1.5 <sup>□</sup>	13.5		4x1.5 <sup>□</sup>	13.5
AGD570.Y.X/E6	245						6x1 <sup>□</sup>			6x1.5 <sup>□</sup>			6x1.5 <sup>□</sup>			6x1.5 <sup>□</sup>			6x1.5 <sup>□</sup>	
AGD570.Y.X/E8	245						8x1 <sup>□</sup>			8x1.5 <sup>□</sup>			8x1.5 <sup>□</sup>			8x1.5 <sup>□</sup>			8x1.5 <sup>□</sup>	
AGD570.Y.X/E12	280						-			12x1.5 <sup>□</sup>			12x1.5 <sup>□</sup>			12x1.5 <sup>□</sup>			12x1.5 <sup>□</sup>	
AGD600.Y.X/E2	205						2x1 <sup>□</sup>			2x1.5 <sup>□</sup>			2x1.5 <sup>□</sup>			2x1.5 <sup>□</sup>			2x1.5 <sup>□</sup>	
AGD600.Y.X/E3	217						3x1 <sup>□</sup>			3x1.5 <sup>□</sup>			3x1.5 <sup>□</sup>			3x1.5 <sup>□</sup>			3x1.5 <sup>□</sup>	
AGD600.Y.X/E4	225	92	47	620	422		4x1 <sup>□</sup>	21.0		4x1.5 <sup>□</sup>	17.0		4x1.5 <sup>□</sup>	16.0		4x1.5 <sup>□</sup>	16.0		4x1.5 <sup>□</sup>	16.0
AGD600.Y.X/E6	245						6x1 <sup>□</sup>			6x1.5 <sup>□</sup>			6x1.5 <sup>□</sup>			6x1.5 <sup>□</sup>			6x1.5 <sup>□</sup>	
AGD600.Y.X/E8	245						8x1 <sup>□</sup>			8x1.5 <sup>□</sup>			8x1.5 <sup>□</sup>			8x1.5 <sup>□</sup>			8x1.5 <sup>□</sup>	
AGD600.Y.X/E12	280						-			12x1.5 <sup>□</sup>			12x1.5 <sup>□</sup>			12x1.5 <sup>□</sup>			12x1.5 <sup>□</sup>	
AGD650.Y.X/E2	205						2x1 <sup>□</sup>			2x1.5 <sup>□</sup>			2x1.5 <sup>□</sup>			2x1.5 <sup>□</sup>			2x1.5 <sup>□</sup>	
AGD650.Y.X/E3	217						3x1 <sup>□</sup>			3x1.5 <sup>□</sup>			3x1.5 <sup>□</sup>			3x1.5 <sup>□</sup>			3x1.5 <sup>□</sup>	
AGD650.Y.X/E4	225	92	47	650	422		4x1 <sup>□</sup>	22.5		4x1.5 <sup>□</sup>	19.5		4x1.5 <sup>□</sup>	17.5		4x1.5 <sup>□</sup>	17.5		4x1.5 <sup>□</sup>	17.5
AGD650.Y.X/E6	245						6x1 <sup>□</sup>			6x1.5 <sup>□</sup>			6x1.5 <sup>□</sup>			6x1.5 <sup>□</sup>			6x1.5 <sup>□</sup>	
AGD650.Y.X/E8	245						8x1 <sup>□</sup>			8x1.5 <sup>□</sup>			8x1.5 <sup>□</sup>			8x1.5 <sup>□</sup>			8x1.5 <sup>□</sup>	
AGD650.Y.X/E12	280						-			12x1.5 <sup>□</sup>			12x1.5 <sup>□</sup>			12x1.5 <sup>□</sup>			12x1.5 <sup>□</sup>	
AGD700.Y.X/E2	205						2x1 <sup>□</sup>			2x1.5 <sup>□</sup>			2x1.5 <sup>□</sup>			2x1.5 <sup>□</sup>			2x1.5 <sup>□</sup>	
AGD700.Y.X/E3	217						3x1 <sup>□</sup>			3x1.5 <sup>□</sup>			3x1.5 <sup>□</sup>			3x1.5 <sup>□</sup>			3x1.5 <sup>□</sup>	
AGD700.Y.X/E4	225	102	57	720	532		4x1 <sup>□</sup>	27.0		4x1.5 <sup>□</sup>	22.0		4x1.5 <sup>□</sup>	20.0		4x1.5 <sup>□</sup>	20.0		4x1.5 <sup>□</sup>	20.0
AGD700.Y.X/E6	245						6x1 <sup>□</sup>			6x1.5 <sup>□</sup>			6x1.5 <sup>□</sup>			6x1.5 <sup>□</sup>			6x1.5 <sup>□</sup>	
AGD700.Y.X/E8	245						8x1 <sup>□</sup>			8x1.5 <sup>□</sup>			8x1.5 <sup>□</sup>			8x1.5 <sup>□</sup>			8x1.5 <sup>□</sup>	
AGD700.Y.X/E12	280						-			12x1.5 <sup>□</sup>			12x1.5 <sup>□</sup>			12x1.5 <sup>□</sup>			12x1.5 <sup>□</sup>	

**AVVOLGITUBO ELETTRO-IDRAULICO (3 VIE + CAVO)**

**CABLE HOSE REEL (3 PORTS + CABLE)**

**A3/E**

Max flow rate: 40 l/min  
 Working pressure: standard 300 bar  
 optional 400 bar  
 Max hose speed: 30 m/min  
 Temperature range: -20/+80°C  
 Max. Voltage: 50 V; max. current: 5 A  
 Option for mA and BUS on request  
 A3D400=modello destro/right model  
 A3S400=modello sinistro/left model



Disegno tecnico disponibile a richiesta **PDF STEP**  
 Technical drawing available on request **3D**

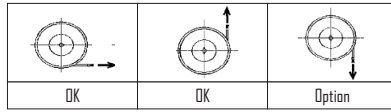
Modello destro Right model	A	B	C	D	E	Senza tubo / Without hose									
						CON TUBO (Lunghezza totale -- utile = -0,5 m) - WITH HOSE (Total length -- usable = - 0.5 m)									
						1/4" R7 (Y=06 - X=R7)	5/16" R7 (Y=08 - X=R7)	3/8" R7 (Y=10 - X=R7)	3/8" R8 (Y=10 - X=R8)	1/2" B1 (Y=12 - X=B1)					
						Cable	Cable	Cable	Cable	Cable					
						m	m	m	m	m					
A3D295.Y.X/E2	263					2x1 <sup>□</sup>	2x1 <sup>□</sup>	2x1 <sup>□</sup>	2x1 <sup>□</sup>	2x1 <sup>□</sup>					
A3D295.Y.X/E3	275					3x1 <sup>□</sup>	3x1 <sup>□</sup>	3x1 <sup>□</sup>	3x1 <sup>□</sup>	3x1 <sup>□</sup>					
A3D295.Y.X/E4	287	112	35	295	291	4x1 <sup>□</sup>	4x1 <sup>□</sup>	4x1 <sup>□</sup>	4x1 <sup>□</sup>	4x1 <sup>□</sup>					
A3D295.Y.X/E6	310					6x0,5 <sup>□</sup>	6x1 <sup>□</sup>	6x1 <sup>□</sup>	6x1 <sup>□</sup>	6x1 <sup>□</sup>					
A3D295.Y.X/E8	310					8x0,5 <sup>□</sup>	8x0,5 <sup>□</sup>	8x1 <sup>□</sup>	8x1 <sup>□</sup>	8x1 <sup>□</sup>					
A3D295.Y.X/E12	345					-	12x0,5 <sup>□</sup>	12x1 <sup>□</sup>	12x1 <sup>□</sup>	12x1 <sup>□</sup>					
A3D320.Y.X/E2	263					2x1 <sup>□</sup>	2x1 <sup>□</sup>	2x1 <sup>□</sup>	2x1 <sup>□</sup>	2x1 <sup>□</sup>					
A3D320.Y.X/E3	275					3x1 <sup>□</sup>	3x1 <sup>□</sup>	3x1 <sup>□</sup>	3x1 <sup>□</sup>	3x1 <sup>□</sup>					
A3D320.Y.X/E4	287	112	37	325	272	4x1 <sup>□</sup>	4x1 <sup>□</sup>	4x1 <sup>□</sup>	4x1 <sup>□</sup>	4x1 <sup>□</sup>					
A3D320.Y.X/E6	310					6x0,5 <sup>□</sup>	6x1 <sup>□</sup>	6x1 <sup>□</sup>	6x1 <sup>□</sup>	6x1 <sup>□</sup>					
A3D320.Y.X/E8	310					8x0,5 <sup>□</sup>	8x0,5 <sup>□</sup>	8x1 <sup>□</sup>	8x1 <sup>□</sup>	8x1 <sup>□</sup>					
A3D320.Y.X/E12	345					-	12x0,5 <sup>□</sup>	12x1 <sup>□</sup>	12x1 <sup>□</sup>	12x1 <sup>□</sup>					
A3D340.Y.X/E2	263					2x1 <sup>□</sup>	2x1 <sup>□</sup>	2x1 <sup>□</sup>	2x1 <sup>□</sup>	2x1 <sup>□</sup>					
A3D340.Y.X/E3	275					3x1 <sup>□</sup>	3x1 <sup>□</sup>	3x1 <sup>□</sup>	3x1 <sup>□</sup>	3x1 <sup>□</sup>					
A3D340.Y.X/E4	287	112	37	340	272	4x1 <sup>□</sup>	4x1 <sup>□</sup>	4x1 <sup>□</sup>	4x1 <sup>□</sup>	4x1 <sup>□</sup>					
A3D340.Y.X/E6	310					6x0,5 <sup>□</sup>	6x1 <sup>□</sup>	6x1 <sup>□</sup>	6x1 <sup>□</sup>	6x1 <sup>□</sup>					
A3D340.Y.X/E8	310					8x0,5 <sup>□</sup>	8x0,5 <sup>□</sup>	8x1 <sup>□</sup>	8x1 <sup>□</sup>	8x1 <sup>□</sup>					
A3D340.Y.X/E12	345					-	12x0,5 <sup>□</sup>	12x1 <sup>□</sup>	12x1 <sup>□</sup>	12x1 <sup>□</sup>					
A3D370.Y.X/E2	263					2x1 <sup>□</sup>	2x1 <sup>□</sup>	2x1 <sup>□</sup>	2x1 <sup>□</sup>	2x1 <sup>□</sup>					
A3D370.Y.X/E3	275					3x1 <sup>□</sup>	3x1 <sup>□</sup>	3x1 <sup>□</sup>	3x1 <sup>□</sup>	3x1 <sup>□</sup>					
A3D370.Y.X/E4	287	112	37	370	272	4x1 <sup>□</sup>	4x1 <sup>□</sup>	4x1 <sup>□</sup>	4x1 <sup>□</sup>	4x1 <sup>□</sup>					
A3D370.Y.X/E6	310					6x0,5 <sup>□</sup>	6x1 <sup>□</sup>	6x1 <sup>□</sup>	6x1 <sup>□</sup>	6x1 <sup>□</sup>					
A3D370.Y.X/E8	310					8x0,5 <sup>□</sup>	8x0,5 <sup>□</sup>	8x1 <sup>□</sup>	8x1 <sup>□</sup>	8x1 <sup>□</sup>					
A3D370.Y.X/E12	345					-	12x0,5 <sup>□</sup>	12x1 <sup>□</sup>	12x1 <sup>□</sup>	12x1 <sup>□</sup>					
A3D400.Y.X/E2	263					2x1 <sup>□</sup>	2x1 <sup>□</sup>	2x1 <sup>□</sup>	2x1 <sup>□</sup>	2x1 <sup>□</sup>					
A3D400.Y.X/E3	275					3x1 <sup>□</sup>	3x1 <sup>□</sup>	3x1 <sup>□</sup>	3x1 <sup>□</sup>	3x1 <sup>□</sup>					
A3D400.Y.X/E4	287	112	47	400	322	4x1 <sup>□</sup>	4x1 <sup>□</sup>	4x1 <sup>□</sup>	4x1 <sup>□</sup>	4x1 <sup>□</sup>					
A3D400.Y.X/E6	310					6x0,5 <sup>□</sup>	6x1 <sup>□</sup>	6x1 <sup>□</sup>	6x1 <sup>□</sup>	6x1 <sup>□</sup>					
A3D400.Y.X/E8	310					8x0,5 <sup>□</sup>	8x0,5 <sup>□</sup>	8x1 <sup>□</sup>	8x1 <sup>□</sup>	8x1 <sup>□</sup>					
A3D400.Y.X/E12	345					-	12x0,5 <sup>□</sup>	12x1 <sup>□</sup>	12x1 <sup>□</sup>	12x1 <sup>□</sup>					
A3D420.Y.X/E2	263					2x1 <sup>□</sup>	2x1 <sup>□</sup>	2x1 <sup>□</sup>	2x1 <sup>□</sup>	2x1 <sup>□</sup>					
A3D420.Y.X/E3	275					3x1 <sup>□</sup>	3x1 <sup>□</sup>	3x1 <sup>□</sup>	3x1 <sup>□</sup>	3x1 <sup>□</sup>					
A3D420.Y.X/E4	287	112	47	420	322	4x1 <sup>□</sup>	4x1 <sup>□</sup>	4x1 <sup>□</sup>	4x1 <sup>□</sup>	4x1 <sup>□</sup>					
A3D420.Y.X/E6	310					6x0,5 <sup>□</sup>	6x1 <sup>□</sup>	6x1 <sup>□</sup>	6x1 <sup>□</sup>	6x1 <sup>□</sup>					
A3D420.Y.X/E8	310					8x0,5 <sup>□</sup>	8x0,5 <sup>□</sup>	8x1 <sup>□</sup>	8x1 <sup>□</sup>	8x1 <sup>□</sup>					
A3D420.Y.X/E12	345					-	12x0,5 <sup>□</sup>	12x1 <sup>□</sup>	12x1 <sup>□</sup>	12x1 <sup>□</sup>					
A3D470.Y.X/E2	263					2x1 <sup>□</sup>	2x1 <sup>□</sup>	2x1 <sup>□</sup>	2x1 <sup>□</sup>	2x1 <sup>□</sup>					
A3D470.Y.X/E3	275					3x1 <sup>□</sup>	3x1 <sup>□</sup>	3x1 <sup>□</sup>	3x1 <sup>□</sup>	3x1 <sup>□</sup>					
A3D470.Y.X/E4	287	112	47	478	322	4x1 <sup>□</sup>	4x1 <sup>□</sup>	4x1 <sup>□</sup>	4x1 <sup>□</sup>	4x1 <sup>□</sup>					
A3D470.Y.X/E6	310					6x0,5 <sup>□</sup>	6x1 <sup>□</sup>	6x1 <sup>□</sup>	6x1 <sup>□</sup>	6x1 <sup>□</sup>					
A3D470.Y.X/E8	310					8x0,5 <sup>□</sup>	8x0,5 <sup>□</sup>	8x1 <sup>□</sup>	8x1 <sup>□</sup>	8x1 <sup>□</sup>					
A3D470.Y.X/E12	345					-	12x0,5 <sup>□</sup>	12x1 <sup>□</sup>	12x1 <sup>□</sup>	12x1 <sup>□</sup>					

## AVVOLGITUBO ELETTRICO-IDRAULICO (4 VIE + CAVO)

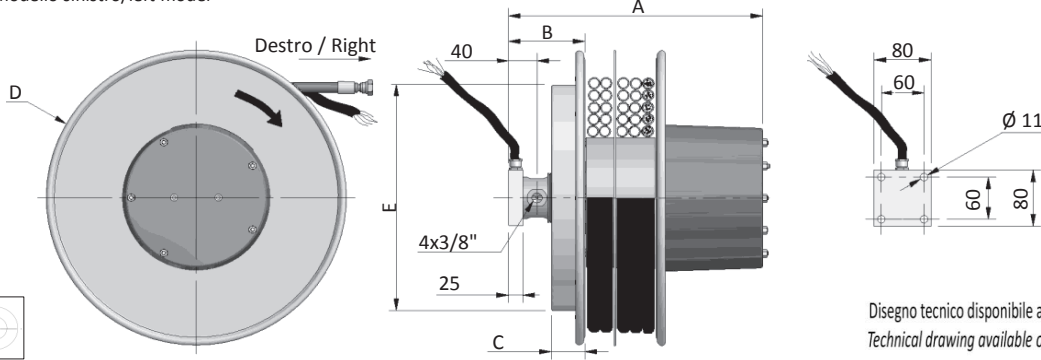
## CABLE HOSE REEL (4 PORTS + CABLE)

# A4/E

Max flow rate: 40 l/min  
 Working pressure: standard 300 bar  
 optional 400 bar  
 Max hose speed: 30 m/min  
 Temperature range: -20/+80°C  
 Max. Voltage: 50 V; max. current: 5 A  
 Option for mA and BUS on request  
 A4D400=modello destro/right model  
 A4S400=modello sinistro/left model



Corsa verticale verso il basso opzionale  
 Vertical downwards is optional



Disegno tecnico disponibile a richiesta   
 Technical drawing available on request

Modello destro Right model	A	B	C	D	E	Senza tubo without hose	CON TUBO (Lunghezza totale -- utile = -0,5 m) - WITH HOSE (Total length -- usable = - 0.5 m)									
							1/4" R7 (Y=06 - X=R7)	5/16" R7 (Y=08 - X=R7)	3/8" R7 (Y=10 - X=R7)	3/8" R8 (Y=10 - X=R8)	1/2" B1 (Y=12 - X=B1)					
	mm					kg	Cable	m	Cable	m	Cable	m	Cable	m	Cable	m
A4D295.Y.X/E2	285						2x1 <sup>□</sup>		2x1,5 <sup>□</sup>		2x1,5 <sup>□</sup>		2x1,5 <sup>□</sup>		2x1 <sup>□</sup>	
A4D295.Y.X/E3	297						3x1 <sup>□</sup>		3x1,5 <sup>□</sup>		3x1,5 <sup>□</sup>		3x1,5 <sup>□</sup>		3x1 <sup>□</sup>	
A4D295.Y.X/E4	309	112	35	295	291		4x1 <sup>□</sup>	3.0	4x1,5 <sup>□</sup>	2.3	4x1,5 <sup>□</sup>	2.3	4x1,5 <sup>□</sup>	2.3	4x1 <sup>□</sup>	1.5
A4D295.Y.X/E6	332						6x1 <sup>□</sup>		6x1,5 <sup>□</sup>		6x1,5 <sup>□</sup>		6x1,5 <sup>□</sup>		6x1 <sup>□</sup>	
A4D295.Y.X/E8	332						8x1 <sup>□</sup>		8x1,5 <sup>□</sup>		8x1,5 <sup>□</sup>		8x1,5 <sup>□</sup>		8x1 <sup>□</sup>	
A4D295.Y.X/E12	367						-		12x1,5 <sup>□</sup>		12x1,5 <sup>□</sup>		12x1,5 <sup>□</sup>		12x1 <sup>□</sup>	
A4D320.Y.X/E2	285						2x1 <sup>□</sup>		2x1,5 <sup>□</sup>		2x1,5 <sup>□</sup>		2x1,5 <sup>□</sup>		2x1 <sup>□</sup>	
A4D320.Y.X/E3	297						3x1 <sup>□</sup>		3x1,5 <sup>□</sup>		3x1,5 <sup>□</sup>		3x1,5 <sup>□</sup>		3x1 <sup>□</sup>	
A4D320.Y.X/E4	309	112	37	325	272		4x1 <sup>□</sup>	4.0	4x1,5 <sup>□</sup>	3.2	4x1,5 <sup>□</sup>	3.3	4x1,5 <sup>□</sup>	3.3	4x1 <sup>□</sup>	2.5
A4D320.Y.X/E6	332						6x1 <sup>□</sup>		6x1,5 <sup>□</sup>		6x1,5 <sup>□</sup>		6x1,5 <sup>□</sup>		6x1 <sup>□</sup>	
A4D320.Y.X/E8	332						8x1 <sup>□</sup>		8x1,5 <sup>□</sup>		8x1,5 <sup>□</sup>		8x1,5 <sup>□</sup>		8x1 <sup>□</sup>	
A4D320.Y.X/E12	367						-		12x1,5 <sup>□</sup>		12x1,5 <sup>□</sup>		12x1,5 <sup>□</sup>		12x1 <sup>□</sup>	
A4D340.Y.X/E2	285						2x1 <sup>□</sup>		2x1,5 <sup>□</sup>		2x1,5 <sup>□</sup>		2x1,5 <sup>□</sup>		2x1 <sup>□</sup>	
A4D340.Y.X/E3	297						3x1 <sup>□</sup>		3x1,5 <sup>□</sup>		3x1,5 <sup>□</sup>		3x1,5 <sup>□</sup>		3x1 <sup>□</sup>	
A4D340.Y.X/E4	309	112	37	340	272		4x1 <sup>□</sup>	5.0	4x1,5 <sup>□</sup>	4.2	4x1,5 <sup>□</sup>	4.0	4x1,5 <sup>□</sup>	4.0	4x1 <sup>□</sup>	2.5
A4D340.Y.X/E6	332						6x1 <sup>□</sup>		6x1,5 <sup>□</sup>		6x1,5 <sup>□</sup>		6x1,5 <sup>□</sup>		6x1 <sup>□</sup>	
A4D340.Y.X/E8	332						8x1 <sup>□</sup>		8x1,5 <sup>□</sup>		8x1,5 <sup>□</sup>		8x1,5 <sup>□</sup>		8x1 <sup>□</sup>	
A4D340.Y.X/E12	367						-		12x1,5 <sup>□</sup>		12x1,5 <sup>□</sup>		12x1,5 <sup>□</sup>		12x1 <sup>□</sup>	
A4D370.Y.X/E2	285						2x1 <sup>□</sup>		2x1,5 <sup>□</sup>		2x1,5 <sup>□</sup>		2x1,5 <sup>□</sup>		2x1 <sup>□</sup>	
A4D370.Y.X/E3	297						3x1 <sup>□</sup>		3x1,5 <sup>□</sup>		3x1,5 <sup>□</sup>		3x1,5 <sup>□</sup>		3x1 <sup>□</sup>	
A4D370.Y.X/E4	309	112	37	370	272		4x1 <sup>□</sup>	6.0	4x1,5 <sup>□</sup>	5.3	4x1,5 <sup>□</sup>	4.5	4x1,5 <sup>□</sup>	4.5	4x1 <sup>□</sup>	3.5
A4D370.Y.X/E6	332						6x1 <sup>□</sup>		6x1,5 <sup>□</sup>		6x1,5 <sup>□</sup>		6x1,5 <sup>□</sup>		6x1 <sup>□</sup>	
A4D370.Y.X/E8	332						8x1 <sup>□</sup>		8x1,5 <sup>□</sup>		8x1,5 <sup>□</sup>		8x1,5 <sup>□</sup>		8x1 <sup>□</sup>	
A4D370.Y.X/E12	367						-		12x1,5 <sup>□</sup>		12x1,5 <sup>□</sup>		12x1,5 <sup>□</sup>		12x1 <sup>□</sup>	
A4D400.Y.X/E2	285						2x1 <sup>□</sup>		2x1,5 <sup>□</sup>		2x1,5 <sup>□</sup>		2x1,5 <sup>□</sup>		2x1 <sup>□</sup>	
A4D400.Y.X/E3	297						3x1 <sup>□</sup>		3x1,5 <sup>□</sup>		3x1,5 <sup>□</sup>		3x1,5 <sup>□</sup>		3x1 <sup>□</sup>	
A4D400.Y.X/E4	309	112	47	400	322		4x1 <sup>□</sup>	7.3	4x1,5 <sup>□</sup>	6.5	4x1,5 <sup>□</sup>	5.6	4x1,5 <sup>□</sup>	5.6	4x1 <sup>□</sup>	4.5
A4D400.Y.X/E6	332						6x1 <sup>□</sup>		6x1,5 <sup>□</sup>		6x1,5 <sup>□</sup>		6x1,5 <sup>□</sup>		6x1 <sup>□</sup>	
A4D400.Y.X/E8	332						8x1 <sup>□</sup>		8x1,5 <sup>□</sup>		8x1,5 <sup>□</sup>		8x1,5 <sup>□</sup>		8x1 <sup>□</sup>	
A4D400.Y.X/E12	367						-		12x1,5 <sup>□</sup>		12x1,5 <sup>□</sup>		12x1,5 <sup>□</sup>		12x1 <sup>□</sup>	
A4D420.Y.X/E2	285						2x1 <sup>□</sup>		2x1,5 <sup>□</sup>		2x1,5 <sup>□</sup>		2x1,5 <sup>□</sup>		2x1 <sup>□</sup>	
A4D420.Y.X/E3	297						3x1 <sup>□</sup>		3x1,5 <sup>□</sup>		3x1,5 <sup>□</sup>		3x1,5 <sup>□</sup>		3x1 <sup>□</sup>	
A4D420.Y.X/E4	309	112	47	420	322		4x1 <sup>□</sup>	8.6	4x1,5 <sup>□</sup>	8.0	4x1,5 <sup>□</sup>	6.7	4x1,5 <sup>□</sup>	6.7	4x1 <sup>□</sup>	4.7
A4D420.Y.X/E6	332						6x1 <sup>□</sup>		6x1,5 <sup>□</sup>		6x1,5 <sup>□</sup>		6x1,5 <sup>□</sup>		6x1 <sup>□</sup>	
A4D420.Y.X/E8	332						8x1 <sup>□</sup>		8x1,5 <sup>□</sup>		8x1,5 <sup>□</sup>		8x1,5 <sup>□</sup>		8x1 <sup>□</sup>	
A4D420.Y.X/E12	367						-		12x1,5 <sup>□</sup>		12x1,5 <sup>□</sup>		12x1,5 <sup>□</sup>		12x1 <sup>□</sup>	
A4D470.Y.X/E2	285						2x1 <sup>□</sup>		2x1,5 <sup>□</sup>		2x1,5 <sup>□</sup>		2x1,5 <sup>□</sup>		2x1 <sup>□</sup>	
A4D470.Y.X/E3	297						3x1 <sup>□</sup>		3x1,5 <sup>□</sup>		3x1,5 <sup>□</sup>		3x1,5 <sup>□</sup>		3x1 <sup>□</sup>	
A4D470.Y.X/E4	309	112	47	478	322		4x1 <sup>□</sup>	11.5	4x1,5 <sup>□</sup>	10.0	4x1,5 <sup>□</sup>	9.5	4x1,5 <sup>□</sup>	9.5	4x1 <sup>□</sup>	7.5
A4D470.Y.X/E6	332						6x1 <sup>□</sup>		6x1,5 <sup>□</sup>		6x1,5 <sup>□</sup>		6x1,5 <sup>□</sup>		6x1 <sup>□</sup>	
A4D470.Y.X/E8	332						8x1 <sup>□</sup>		8x1,5 <sup>□</sup>		8x1,5 <sup>□</sup>		8x1,5 <sup>□</sup>		8x1 <sup>□</sup>	
A4D470.Y.X/E12	367						-		12x1,5 <sup>□</sup>		12x1,5 <sup>□</sup>		12x1,5 <sup>□</sup>		12x1 <sup>□</sup>	



AVVOLGITUBO SERIE "RT" PER VEICOLI DI PRONTO INTERVENTO

"RT" - RESCUE TOOLS HOSE REELS

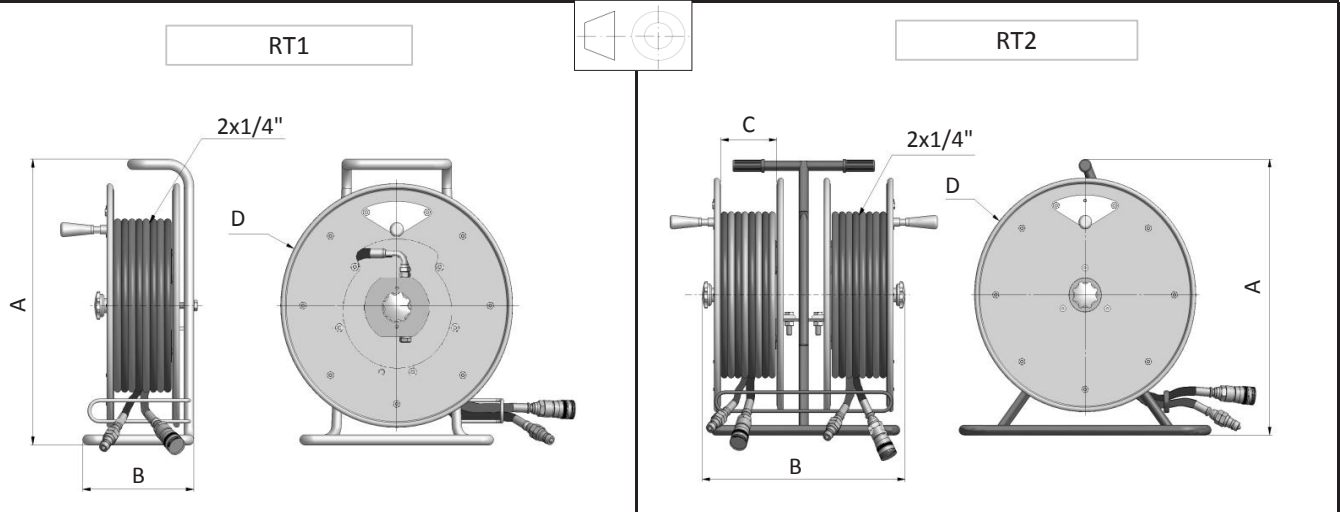
RT



Max flow rate: 40 l/min  
Working pressure: max 700 bar  
Temperature range: -20/+80°C



Disegno tecnico disponibile a richiesta  
Technical drawing available on request



Modello Model	PRESSIONE MAX. MAX PRESSURE		A	B	C	D	AVVOLGITUBO HOSE REEL	SUPPORTO SUPPORT	TUBO		COMPLETO COMPLETE
	bar	MPa							Tipo/Type		
RT1.20.35	350	35	500	200	115	420			1/4" Z2 - 20m		
RT1.30.35			580			478	1/4" Z2 - 30m				
RT1.50.35			620			520	1/4" Z2 - 50m				
RT1.20.70	700	70	500	200	115	420			1/4" Z3 - 20m		
RT1.30.70			580			478	1/4" Z3 - 30m				
RT1.50.70			620			520	1/4" Z3 - 50m				
RT2.20.35	350	35	500	385	115	420			2 x 1/4" Z2 - 20m		
RT2.30.35						478	2 x 1/4" Z2 - 30m				
RT2.20.70	700	70				420		2 x 1/4" Z3 - 20m			
RT2.30.70						478	2 x 1/4" Z3 - 30m				

TUBI BINATI COMPATIBILI CON AVVOLGITORI "RT"

TWIN HOSES COMPATIBLE WITH "RT" REELS

TUYAUX JUMELÉ COMPATIBLES AVEC ENROULEURS "RT"

ZWEIFACHSCHLÄUCHE KOMPATIBEL MIT "RT" SCHLAUCHROLLEN

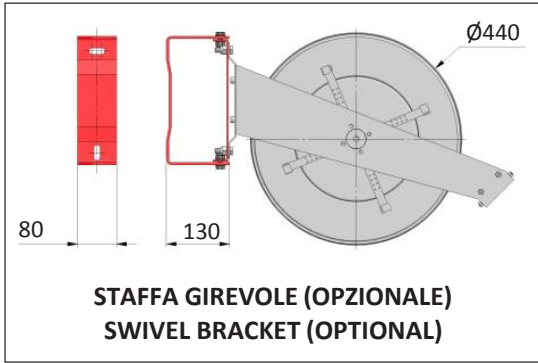
Diametro nominale Nominal diameter					TIPO TYPE			Raccordatura Fittings	
INCH								Standard	Inox Stainless steel
1/4"	6.30	13.50	40	0.53	Z2	375	-40 / +100		
		14.50	40	0.53	Z3	700	-40 / +100		

AVVOLGITUBO PER ARIA, AZOTO GASSOSO, GRASSO, ACQUA, OLIO - SERIE "9100"

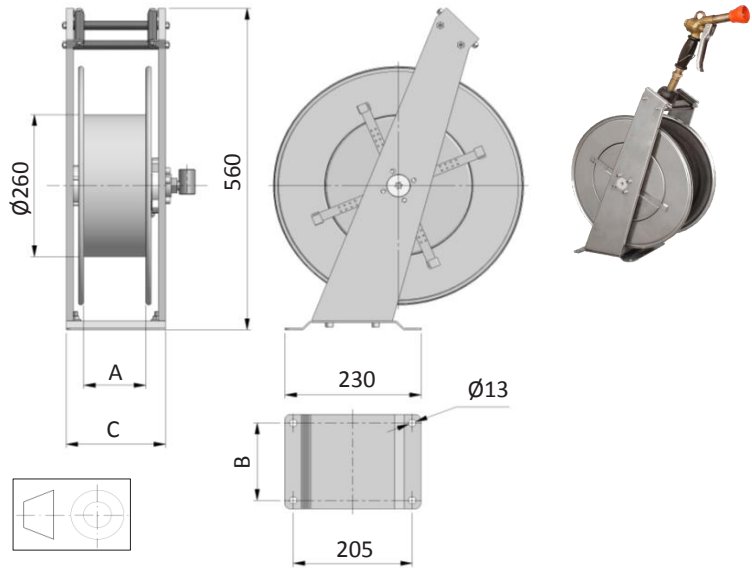
SERIE "9100" HOSE REEL FOR AIR, NITROGEN GAS, GREASE, WATER, OIL

9000

Max flow rate: 40 l/min  
Working pressure: see below  
Max hose speed: 30 m/min  
Temperature range: -20/+80°C



**STAFFA GIREVOLE (OPZIONALE)  
SWIVEL BRACKET (OPTIONAL)**



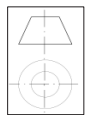
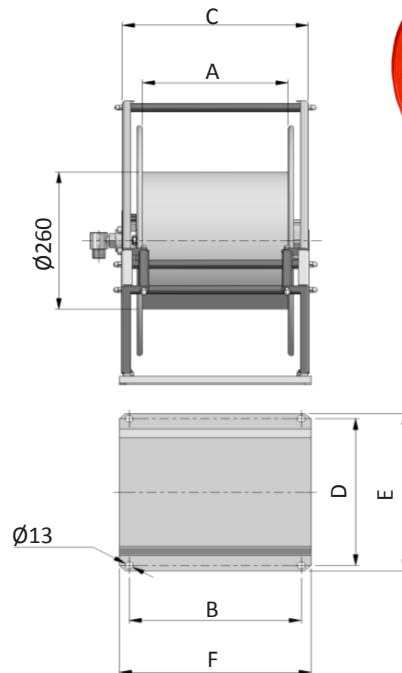
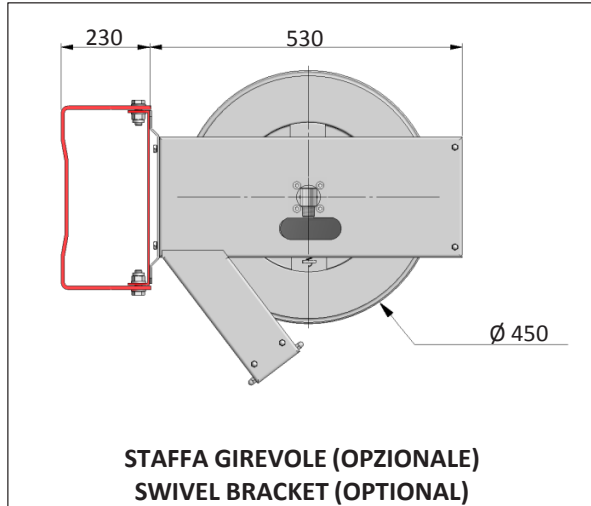
	MODELLO MODEL	A	B	C	senza tubo without hose	Tubo /Hose			Con tubo with hose	Staffa girevole Swivel bracket		
						tipo type	Ø	m		Tipo Type		
<b>ARIA, OLIO, GASOLIO - ESECUZIONE IN ACCIAIO VERNICIATO</b> <b>AIR, OIL, DIESEL-OIL - MADE OF PAINTED STEEL</b> <b>MAX. 400 BAR - MAX. FLUID TEMPERATURE 40°C</b>	9001	120	142	180		1SN	1/4	15.0		9075		
						2SC						
	9002	150	180	210			1SN	1/4	20.0		9076	
							2SC					
	9003	120	142	180			1SN	3/8	15.0		9075	
							2SC					
	9004	150	180	210			1SN	3/8	20.0		9076	
							2SC					
9005	120	142	180			1SN	1/2	10.0		9075		
						2SC						
9006	150	180	210			1SN	1/2	20.0		9076		
						2SC						
9007	120	142	180			1SN	5/16	15.0		9075		
						2SC						
9008	150	180	210			1SN	5/16	20.0		9076		
						2SC						
<b>GRASSO</b> <b>GREASE</b> <b>400 bar</b>	9009	120	142	180		2SC	1/4	15.0		9075		
	9010	150	180	210				20.0		9076		
	MODELLO MODEL	A	B	C	senza tubo without hose	Tubo /Hose			Con tubo + raccordi With hose + fittings		Staffa girevole Swivel bracket	
		mm				tipo type	Ø	m	Zincati/Galvanized	Inox	Tipo Type	
<b>ACQUA</b> <b>ACCIAIO INOX</b> <b>WATER</b> <b>STAINLESS</b> <b>STEEL</b> <b>250 bar - 150°C</b>	9011	120	142	180		I21	3/8	15			9077	
	9012	150	180	210			3/8	20			9078	
	9013	120	142	180			1/2	10			9077	
	9014	150	180	210			1/2	20			9078	
	9015	120	142	180			5/16	15			9077	
	9016	150	180	210			5/16	20			9078	

AVVOLGITUBO PER ARIA, AZOTO GASSOSO, GRASSO, ACQUA, OLIO - SERIE "9100"

SERIE "9100" HOSE REEL FOR AIR, NITROGEN GAS, GREASE, WATER, OIL

9100

Max flow rate: 135 l/min  
Working pressure: see below  
Max hose speed: 30 m/min  
Temperature range: -20/+80°C



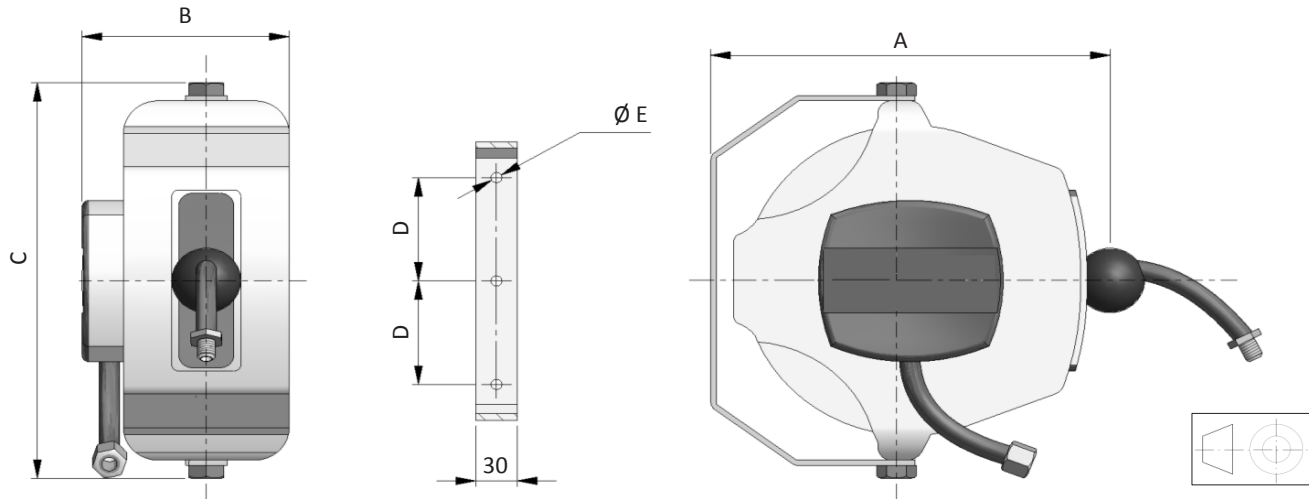
	MODELLO MODEL	PRESSIONE WORK.PRESS MAX bar	A	B	C	D	E	F	senza tubo without hose	Tubo /Hose			Con tubo With hose 0	Staffa girevole Swivel bracket	
										type	Ø	m		Tipo Type	
<b>ARIA, OLIO, GASOLIO ESECUZIONE IN ACCIAIO VERNICIATO AIR, OIL, DIESEL-OIL MADE OF PAINTED STEEL</b>	9100-08	400	250	265	300	265	295	310		5/16"	25		9084		
	9100-10									3/8"					
	9100-12									1/2"					
	9101-08	400	300	415	350	205	235	435		5/16"	40		9079		
	9101-10									3/8"					
	9101-12									1/2"					
	9102-19	80	150	265	205	205	235	305		3/4"	10		9076		
	9102-25									1"					8
	9103-19	80	300	415	350	205	235	435		3/4"	18		9079		
	9103-25									1"					15
	9105-19	80	400	470	450	255	285	500		3/4"	25		-		
	9105-25									1"					25
9107-32	20	400	-	600	-	650	-		1.1/4"	20		-	-		
	MODELLO MODEL	PRESSIONE WORK.PRESS MAX bar	A	B	C	D	E	F	senza tubo without hose	Tubo /Hose			Con tubo + raccordi zincati With hose + galvanized fittings 0.0	Staffa girevole Swivel bracket	
	mm					type	Ø	m	Tipo Type						
<b>PER ACQUA - ACCIAIO INOX FOR WATER - STAINLESS STEEL Max. 150°C</b>	9150-08	250	250	265	300	265	295	310		5/16"	25		9085		
	9150-10									3/8"					
	9150-12									1/2"					
	9151-08	250	300	415	350	205	235	435		5/16"	40		9080		
	9151-10									3/8"					
	9151-12									1/2"					
	9152-19	80	150	265	205	205	235	305		3/4"	10		9078		
	9152-25									1"					8
	9153-19	80	300	415	350	205	235	435		3/4"	18		9080		
	9153-25									1"					15
	9155-19	80	400	470	450	255	285	500		3/4"	25		-		
	9155-25									1"					25

## AVVOLGITORI PER ARIA, ACQUA SERIE "800" "800" SERIES HOSE REELS FOR AIR, WATER

# 800

Max flow rate: 40 l/min  
 Working pressure: see table  
 Max hose speed: 30 m/min  
 Temperature range: -10/+60°C

Automatici con dispositivo di arresto del tubo e staffa orientabile  
 Automatic with hose lock system and swivel bracket  
 Automatiques avec système d'arrêt du tuyau et étrier pivotant  
 Automatisch, mit Schlaucharretierung und schwenkbarer Halterung



FLUIDO FLUID	MODELLO MODEL	A	B	C	D	E	TUBO HOSE		PRESSIONE MAX MAX PRESSURE		CON TUBO WITH HOSE
		mm					Tipo/Type	m	bar	Mpa	
ARIA COMPRESSA COMPRESSED AIR	800	225	130	180	100	6,5	6x8	5	10	1	
	801	310	160	260	70	8,5	6x10	10	10	1	
	802	450	195	361	70	8,5	8x12	15	15	1,5	
	803	530	210	425	70	10,5	10x15	20	15	1,5	
	804	530	210	425	70	10,5	12x18	15	15	1,5	

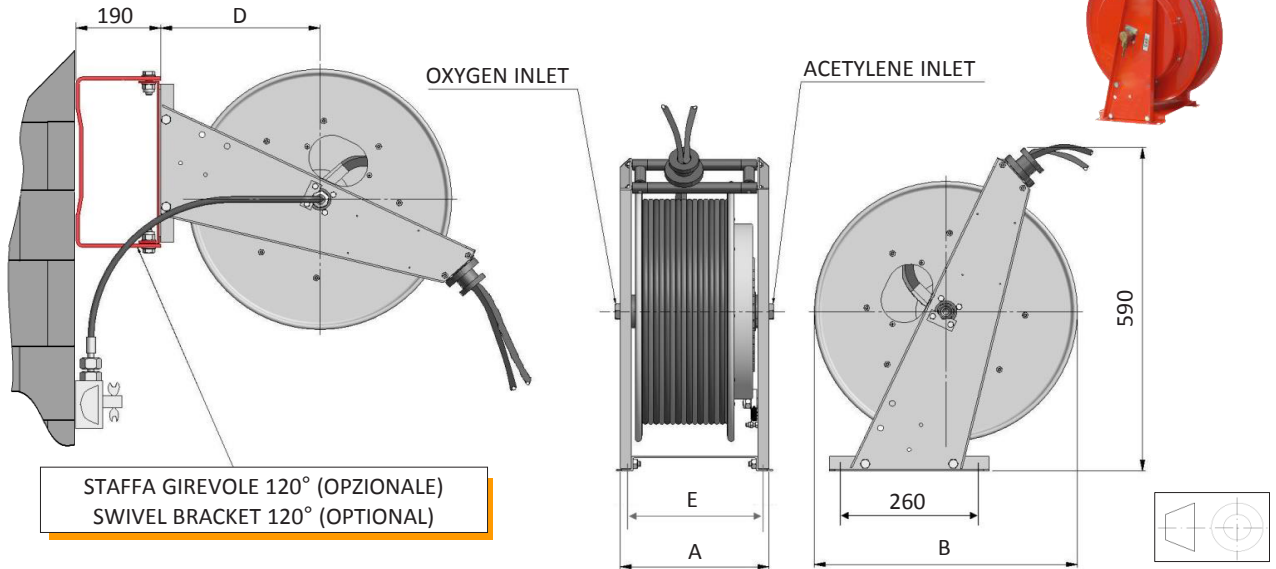
AVVOLGITUBO PER GAS DI SALDATURA (ossigeno/acetilene)

WELDING GAS HOSE-REELS (oxygen/acetylene)

**GAS**

Max flow rate: 40 l/min  
Working pressure: 20 bar  
Max hose speed: 30 m/min  
Temperature range: -20/+80°C

Disegno tecnico disponibile a richiesta  
Technical drawing available on request



MODELLO MODEL	PRESSIONE MAX MAX PRESSURE bar	A	B	D	E	PESO WEIGHT Kg	senza tubo without hose	Con tubo / With hose			Staffa girevole Swivel bracket		Fermatubo Hose stopper	
								TIPO TYPE	m		Tipo Type		Tipo Type	
9201.0606	20	217	478	300	192	39		6x13 twin	17		9251			
9201.0808								8x15 twin	10					
9201.1010								10x17 twin	10					
9202.0606	20	285	478	300	260	46		6x13 twin	20		9252			
9202.0808								8x15 twin						
9202.1010								10x17 twin						
9202.1000								10x19 Single	30					
9203.0606	20	403	478	300	378	56		6x13 twin	30		9253			
9203.0808								8x15 twin						
9203.1010								10x17 twin						
9203.1310	20	403	478	300	378	56		13x23+10x19	21					
9203.1300	20	403	478	300	378	56		13x23 single	28					
9204.1310	20	403	570	350	200	66		13x23+10x19	30		-			

TUBAZIONI IN GOMMA GEMELLATE PER GAS DI SALDATURA  
TUYAU EN GOMME JUMELÉ POUR GAZ DE SOUDURE

RUBBER TWIN HOSE FOR WELDING GAS  
GUMMIDOPPELSCHLAUCH FÜR SCHWEIBGAS

DIN 8541 - ISO 3821



TIPO TYPE		PRESSIONE PRESSURE	PREZZO PRICE	RACCORDATURA FITTINGS
mm	inch	bar		
6x13 twin	1/4"	20		
8x15 twin	5/16"	20		
10x17 twin	3/8"	20		



## AVVOLGITORE PER CAVI ELETTRICI "SERIE CR 025"

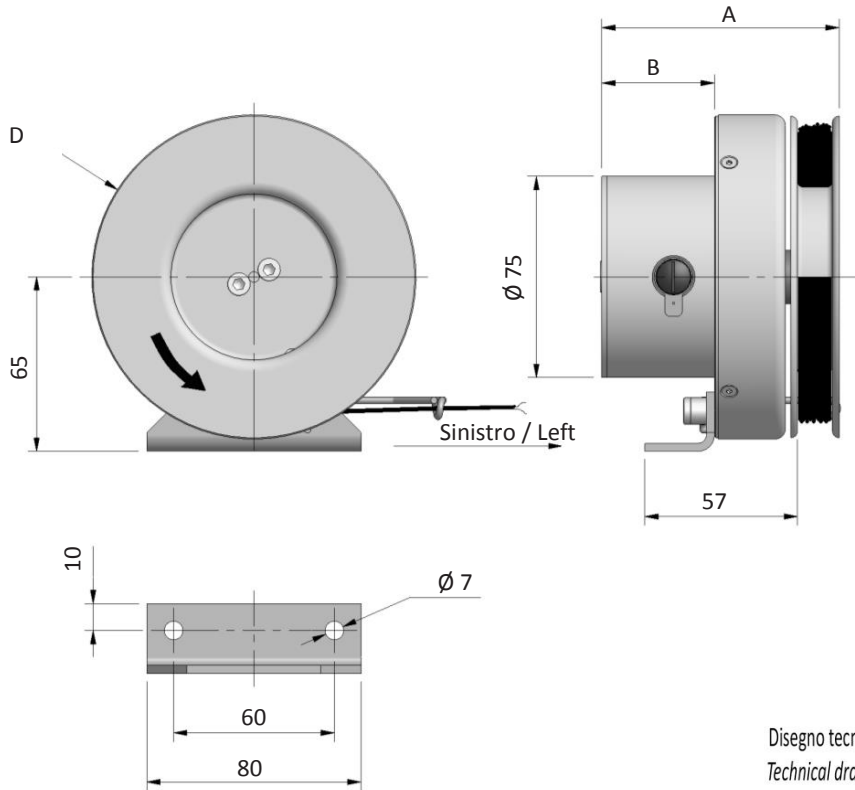
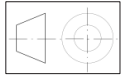
## "SERIES CR 025" CABLE REEL

## CR 025

Max. tension: 50 V  
 Max. current: 1 A  
 Optional: CANBus, Ethernet, Profinet (with approval)  
 Max cable speed: 30 m/min  
 Protection degree: IP 65  
 Temperature range: -20/+60°C  
 CRD120 = modello destro/right model - CRS120 = modello sinistro/left model

Automatici a molla, non idonei per utilizzo manuale.

Automatic spring driven, manual use is not allowed.



Disegno tecnico disponibile a richiesta  
Technical drawing available on request



Cavo/Cable			A	B	D	CODE	senza cavo without cable	con cavo with cable
Tipo/Type	ø mm	mt.	mm					
2x0,25 mm <sup>2</sup>	3,8	3.3	88	35	120	CRD120.0202533		
3x0,25 mm <sup>2</sup>	3.8	3.3	110	57	120	CRD120.0302533		
4x0,25 mm <sup>2</sup>	4	2	131	84	120	CRD120.0402502		

**AVVOLGITORE PER CAVI ELETTRICI "SERIE CRID"**

**"SERIES CRID" CABLE REEL**

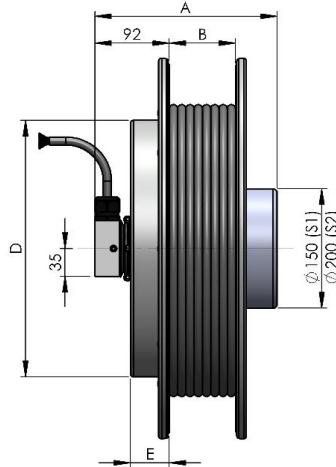
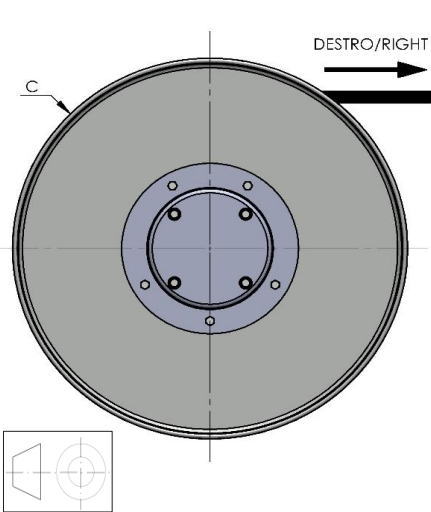
**CR 10**

Max. tension: 50 V  
 Max. current: 4 A  
 Optional: CANBus, Ethernet,  
 Profinet (with approval)  
 Max cable speed: 30 m/min  
 Protection degree: IP 66  
 Temperature range: -20/+60°C  
 CRD520 = modello destro/right model - CRS520 = modello sinistro/left model

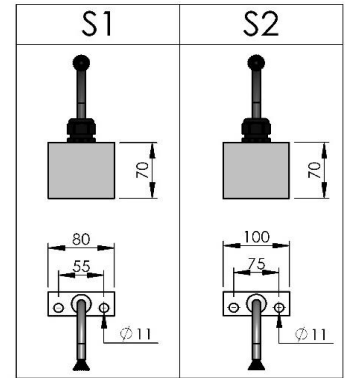
Automatici a molla, non idonei per utilizzo manuale.



Automatic spring driven manual use is not allowed.



Disegno tecnico disponibile a richiesta PDF STEP  
 Technical drawing available on request PDF STEP



Cavo/Cable		A	B	C	D	E	Supporto Support	Senza cavo - Without cable				Con cavo - With cable			
								Uso orizzontale Horizontal use		Uso verticale Vertical use		Uso orizzontale - Horizontal use		Uso verticale - Vertical use	
Tipo/Type	Ø mm	Usable length [m]					Supporto Support	Peso Weight kg	CODE	Peso Weight kg	CODE	Peso Weight kg	CODE		
2x1 mm <sup>2</sup>	6	5	164	35	235	228								30	S1
		10	164	43	235	228	30	S1					CRD230.021010		CRD230.021010/V
		15	-	53	295	322	37	S1					CRD295.021015		CRD295.021015/V
		27	170	-	422	322	37	S1					CRD420.021027		CRD420.021027/V
		32	161	-	478	322	47	S1					CRD470.021032		CRD470.021032/V
		36	161	-	520	322	47	S1					CRD520.021036		CRD520.021036/V
3x1 mm <sup>2</sup>	7	8	150	-	235	228	30	S1					CRD230.031008		CRD230.031008/V
		10	210	-	275	272	37	S1					CRD270.031010		CRD270.031010/V
		15	210	-	370	322	37	S1					CRD370.031015		CRD370.031015/V
		25	220	-	422	322	37	S1					CRD420.031025		CRD420.031025/V
		30	220	-	470	322	37	S1					CRD470.031030		CRD470.031030/V
		40	220	-	620	422	47	S1					CRD600.031040		CRD600.031040/V
4x1 mm <sup>2</sup>	8	12	174	-	295	322		S1					CRD295.041012		CRD295.041012/V
6x1 mm <sup>2</sup>	10	5	230	-	235	228	30	S1					CRD230.061005		CRD230.061005/V
		15	250	-	370	322	37	S1					CRD370.061015		CRD370.061015/V
		20	260	80	370	322	47	S1					CRD470.061018		CRD470.061018/V
		25	260	80	420	322	47	S1					CRD520.061025		CRD520.061025/V
		30	260	-	620	422	47	S1					CRD600.061030		CRD600.061030/V
		35	260	-	720	532	47	S1					CRD700.061035		CRD700.061035/V
7x1 mm <sup>2</sup>	11	6	250	-	295	290	37	S1					CRD295.071006		CRD295.071006/V
		10	250	-	340	272	37	S1					CRD340.071010		CRD340.071010/V
		18	250	-	370	322	37	S1					CRD370.071018		CRD370.071018/V
		25	260	80	420	322	47	S1					CRD420.071025		CRD420.071025/V
8x1 mm <sup>2</sup>	11	10	250	-	340	272	37	S1					CRD340.081010		CRD340.081010/V
		18	260	-	370	322	37	S1					CRD370.081018		CRD370.081018/V
		20	260	-	370	322	37	S1					CRD370.081020		CRD370.081020/V
		25	260	80	420	322	47	S1					CRD420.081025		CRD420.081025/V
12x1 mm <sup>2</sup>	13	10	285	-	320	322	37	S1					CRD370.121010		CRD370.121010/V
		15	285	92	400	322	47	S1					CRD400.121015		CRD400.121015/V
		18	285	92	400	322	47	S1					CRD400.121018		CRD400.121018/V
		20	285	106	420	322	47	S1					CRD420.121020		CRD420.121020/V
		25	295	-	570	422	47	S1					CRD570.121025		CRD570.121025/V
		32	295	-	620	532	47	S1					CRD620.121032		CRD620.121032/V

**AVVOLGITORE PER CAVI ELETTRICI "SERIE CR10"**

**"SERIES CR10" CABLE REEL**

**CR 10**

Max. tension: 50 V  
 Max. current: 4 A  
 Optional: CANBus, Ethernet,  
 Profinet (with approval)  
 Max cable speed: 30 m/min  
 Protection degree: IP 66  
 Temperature range: -20/+60°C

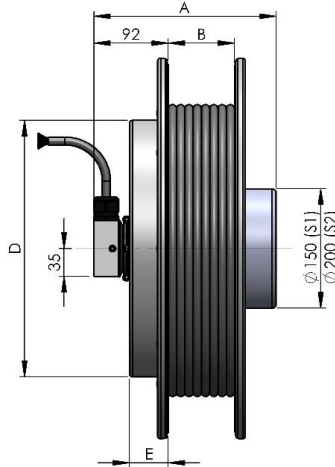
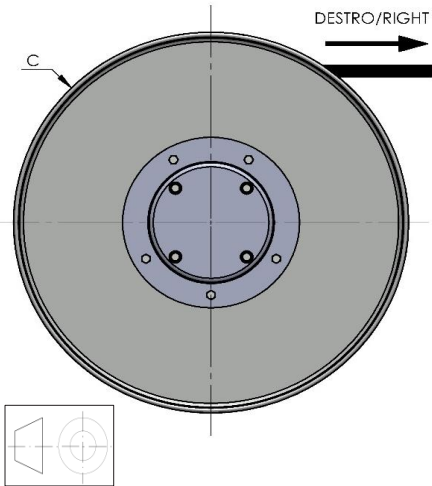
Automatici a molla, non idonei per utilizzo manuale.



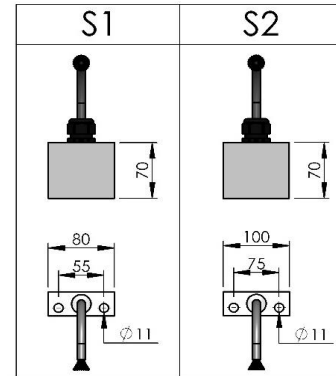
Automatic spring driven manual use is not allowed.



CRD520 = modello destro/right model - CRS520 = modello sinistro/left model



Disegno tecnico disponibile a richiesta  
 Technical drawing available on request



Cavo/Cable		A	B	C	D	E	Supporto Support	Senza cavo - Without cable		Con cavo - With cable				
								Uso orizzontale Horizontal use	Uso verticale Vertical use	Uso orizzontale - Horizontal use		Uso verticale - Vertical use		
Tipo/Type	Ø mm	Usable length [m]					Supporto Support	Peso Weight kg	CODE	Peso Weight kg	CODE			
16x1 mm <sup>2</sup>	15	10	340	-	370	322							37	S1
		15	340	92	470	322	47	S1				CRD470.161015		CRD470.161015/V
		20	350	92	500	422	47	S1				CRD500.161020		CRD500.161020/V
		30	350	-	720	532	47	S1				CRD700.161030		CRD700.161030/V
		40	-	-	800	-	-	-	-				CRD800.161040	
20x1 mm <sup>2</sup>	15	10	360	-	370	322	37	S1				CRD370.201010		CRD370.201010/V
		20	360	-	570	422	47	S1				CRD570.201020		CRD570.201020/V
24x1 mm <sup>2</sup>	16	10	380	-	400	322	37	S1				CRD400.241010		CRD400.241010/V
		15	380	-	520	322	47	S1				CRD520.241015		CRD520.241015/V
		20	380	-	570	422	47	S1				CRD570.241020		CRD570.241020/V
		25	390	-	620	422	47	S1				CRD600.241025		CRD600.241025/V
30x1 mm <sup>2</sup>	17	15	390	-	500	322	47	S2				CRD500.301015		CRD500.301015/V
												CRD470.321005		CRD470.321005/V
32x1 mm <sup>2</sup>	19	5	390	-	478	322	47	S2				CRD520.321012		CRD520.321012/V
		12	390	-	520	322	47	S2				CRD600.321020		CRD600.321020/V
		20	390	-	620	422	47	S2				CRD650.321025		CRD650.321025/V
36x1 mm <sup>2</sup>	19	15		-	570	422	47	S2				CRD570.361015		CRD570.361015/V
		25		-	650	422	47	S2				CRD650.361025		CRD650.361025/V

**AVVOLGITORE PER CAVI ELETTRICI "SERIE CRIS"**

**"SERIES CRIS" CABLE REEL**

**CR 15**

Max. tension: 50 V  
 Max. current: 6 A  
 Optional: CANBus, Ethernet,  
 Profinet (with approval)  
 Max cable speed: 30 m/min  
 Protection degree: IP 66  
 Temperature range: -20/+60°C

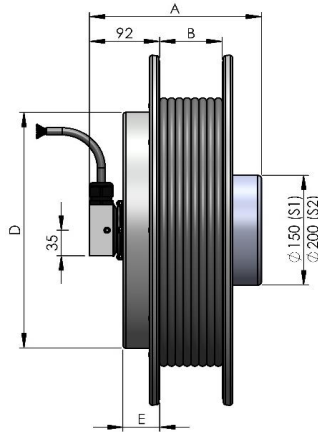
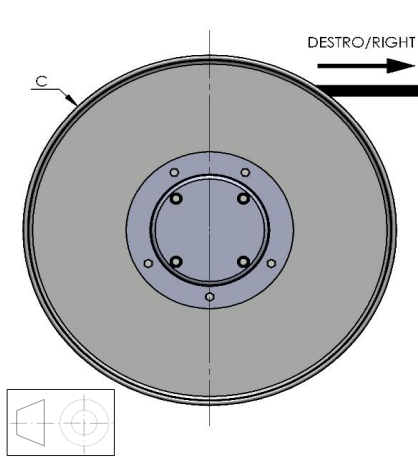
Automatici a molla, non idonei per utilizzo manuale.



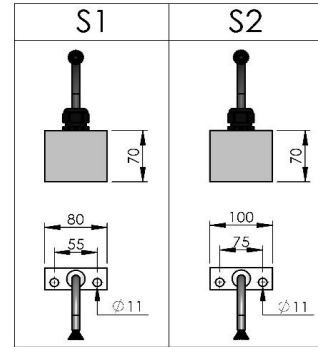
Automatic spring driven manual use is not allowed.



CRD520 = modello destro/right model - CRD520 = modello sinistro/left model



Disegno tecnico disponibile a richiesta  
 Technical drawing available on request



Cavo/Cable		A	B	C	D	E	Supporto Support	Senza cavo - Without cable				Con cavo - With cable			
								Uso orizzontale - Horizontal use		Uso verticale - Vertical use		Uso orizzontale - Horizontal use		Uso verticale - Vertical use	
Tipo/Type	Ø mm	mm							Peso Weight kg	CODE		Peso Weight kg	CODE		
2x1,5 mm <sup>2</sup>	8	6	176	-	235	228	30	S1				CRD230.021506		CRD230.021506/V	
		10	176	-	275	272	37	S1				CRD270.021510		CRD270.021510/V	
		15	176	75	295	291	37	S1				CRD295.021515		CRD295.021515/V	
		25	176	-	420	322	47	S1				CRD420.021525		CRD420.021525/V	
		35	176	-	478	422	47	S1				CRD470.021535		CRD470.021535/V	
3x1,5 mm <sup>2</sup>	8	6	176	-	235	228	30	S1				CRD230.031506		CRD230.031506/V	
		10	176	85	235	272	37	S1				CRD230.031510		CRD200.031510/V	
		15	176	75	370	291	37	S1				CRD370.031515		CRD370.031515/V	
		25	176	-	420	322	47	S1				CRD420.031525		CRD420.031525/V	
		30	176	-	478	422	47	S1				CRD470.031530		CRD470.031530/V	
4x1,5 mm <sup>2</sup>	8.6	8	230	-	235	228	30	S1				CRD230.041508		CRD230.041508/V	
		10	230	69	295	272	37	S1				CRD295.041510		CRD295.041510/V	
		18	230	63	340	272	47	S1				CRD340.041518		CRD340.041518/V	
		20	240	-	370	322	47	S1				CRD370.041520		CRD370.041520/V	
		25	240	60	478	422	47	S1				CRD470.041525		CRD470.041525/V	
		30	240	60	478	532	47	S1				CRD470.041530		CRD470.041530/V	
		35	240	-	620	532	47	S1				CRD600.041535		CRD600.041535/V	
5x1,5 mm <sup>2</sup>	10	10	250	-	340	322	37	S1				CRD340.051510		CRD340.051510/V	
		15	250	-	378	322	37	S1				CRD370.051515		CRD370.051515/V	
		20	260	-	478	322	47	S1				CRD470.051520		CRD470.051520/V	
		25	260	-	520	422	47	S1				CRD520.051525		CRD520.051525/V	
		30	270	-	720	532	47	S1				CRD700.051535		CRD700.051535/V	
7x1,5 mm <sup>2</sup>	12	5	250	70	295	322	37	S1				CRD295.071505		CRD295.071505/V	
		10	250	70	340	322	37	S1				CRD340.071510		CRD340.071510/V	
		15	250	80	370	322	37	S1				CRD370.071515		CRD370.071515/V	
		20	260	80	420	422	47	S1				CRD420.071520		CRD420.071520/V	
		25	260	80	420	422	47	S1				CRD420.071525		CRD420.071525/V	
		35	270	80	720	532	47	S1				CRD700.071535		CRD700.071535/V	

## AVVOLGITORE PER CAVI ELETTRICI "SERIE CRIS"

## "SERIES CRIS" CABLE REEL

## CR 15

Max. tension: 50 V  
 Max. current: 6 A  
 Optional: CANBus, Ethernet,  
 Profinet (with approval)  
 Max cable speed: 30 m/min  
 Protection degree: IP 66  
 Temperature range: -20/+60°C

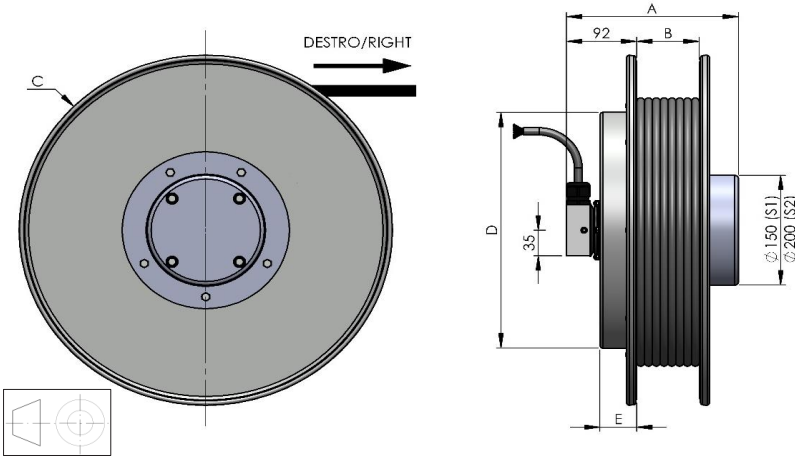
Automatici a molla, non idonei per utilizzo manuale.



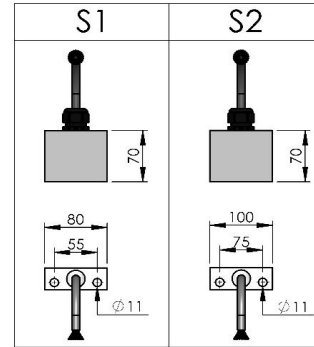
Automatic spring driven manual use is not allowed.



CRD520 = modello destro/right model - CR520 = modello sinistro/left model



Disegno tecnico disponibile a richiesta  
 Technical drawing available on request



Cavo/Cable		A	B	C	D	E	Supporto Support	Senza cavo - Without cable						
Tipo/Type	Ø mm	mm						Uso orizzontale Horizontal use	Uso verticale Vertical use	Uso orizzontale - Horizontal use		Uso verticale - Vertical use		
	Usabl e length								Peso Weight kg	CODE		Peso Weight kg	CODE	
12x1,5 mm <sup>2</sup>	15	10	285	-	400	322	37	S1			CRD400.121510			CRD400.121510/V
		15	285	80	478	422	47	S1			CRD470.121515			CRD470.121515/V
		20	285	106	520	422	47	S1			CRD520.121520			CRD520.121520/V
		30	295	-	720	532	47	S1			CRD700.121530			CRD700.121530/V
		35	295	-	720	532	47	S1			CRD700.121535			-
16x1,5 mm <sup>2</sup>	17	10	340	-	400	322	47	S1			CRD400.161510			CRD400.161510/V
		15	340	-	520	422	47	S1			CRD520.161515			CRD520.161515/V
		20	350	110	520	422	47	S1			CRD520.161520			CRD520.161520/V
		25	350	-	570	532	47	S1			CRD570.161525			CRD570.161525/V
		35	350	-	820	532	47	S2			CRD800.161535			-
20x1,5 mm <sup>2</sup>	20	20	360	-	620	532	47	S2			CRD600.201520			CRD600.201520/V
		30	360	-	720	532	47	S2			CRD700.201530			CRD700.201530/V
24x1,5 mm <sup>2</sup>	20	10	380	-	520	422	47	S1			CRD520.241510			CRD520.241510/V
		18	380	96	570	422	47	S1			CRD570.241518			CRD570.241518/V
		20	380	-	620	532	47	S2			CRD600.241520			CRD600.241520/V
		25	390	-	720	532	47	S2			CRD700.241525			CRD700.241525/V
		30	390	130	720	532	47	S2			CRD700.241530			CRD700.241530/V
		40	390	-	820	532	47	S2			CRD800.241540			-
36x1,5 mm <sup>2</sup>	20.6	13	350	-	570	422	47	S2			CRD570.361513			CRD570.361513/V
		25	350	109	650	532	57	S2			CRD650.361525			CRD650.361525/V



**AVVOLGITORE PER CAVI ELETTRICI "SERIE CR25"**

**"SERIES CR25" CABLE REEL**

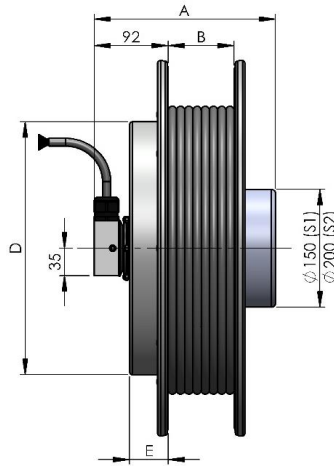
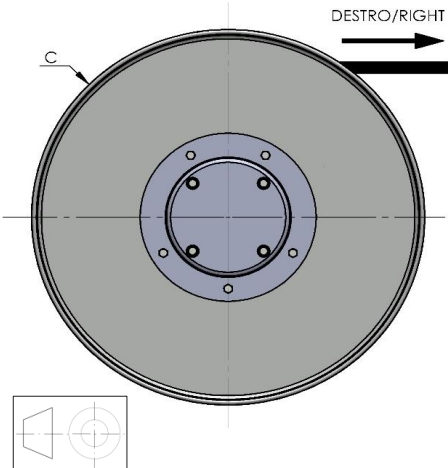
**CR 25**

Max. tension: 50 V  
 Max. current: 16 A  
 Optional: CANBus, Ethernet,  
 Profinet (with approval)  
 Max cable speed: 30 m/min  
 Protection degree: IP 65  
 Temperature range: -20/+60°C  
 CRD520 = modello destro/right model - CR520 = modello sinistro/left model

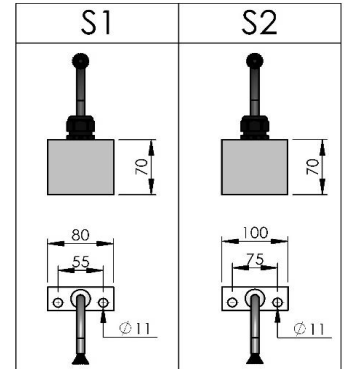
Automatici a molla, non idonei per utilizzo manuale.



Automatic spring driven manual use is not allowed.



Disegno tecnico disponibile a richiesta  
 Technical drawing available on request



Cavo/Cable		A	B	C	D	E	Supporto Support	Senza cavo - Without cable				Con cavo - With cable			
Tipo/Type	Ø mm	mm						Uso orizzontale Horizontal use	Uso verticale Vertical use	Uso orizzontale - Horizontal use		Uso verticale - Vertical use			
	Usable length [m]								Peso Weight kg	CODE		Peso Weight kg	CODE		
3x2,5 mm²	10	6	170	-	295	272	37	S1			CRD 295.032506			CRD 295.032506/V	
		10	170	-	340	322	37	S1			CRD 340.032510			CRD 340.032510/V	
		15	170	-	370	322	37	S1			CRD 370.032515			CRD 370.032515/V	
		20	180	-	370	422	47	S1			CRD 370.032520			CRD 370.032520/V	
		25	180	-	370	422	47	S1			CRD 370.032525			CRD 370.032525/V	
		30	180	-	520	532	47	S1			CRD 520.032530			CRD 520.032530/V	
4x2,5 mm²	9.8	6	180	85	230	272	37	S1			CRD 230.042506			CRD 230.042506/V	
		10	180	63	320	322	37	S1			CRD 320.042510			CRD 320.042510/V	
		15	180	63	370	322	47	S1			CRD 370.042515			CRD 370.042515/V	
		20	190	-	370	322	47	S1			CRD 370.042520			CRD 370.042520/V	
		25	190	-	520	422	47	S1			CRD 520.042525			CRD 520.042525/V	
		30	200	-	620	532	47	S1			CRD 600.042530			CRD 600.042530/V	
5x2,5 mm²	9.8	35	210	-	720	532	47	S1			CRD 700.042535			-	
		10	190	63	340	322	37	S1			CRD 340.052510			CRD 340.052510/V	
		15	190	63	370	322	47	S1			CRD 370.052515			CRD 400.052515/V	
		20	200	63	400	322	47	S1			CRD 400.052520			CRD 400.052520/V	
		25	200	63	400	322	47	S1			CRD 400.052525			CRD 400.052525/V	
		30	210	80	620	532	47	S1			CRD 600.052530			CRD 600.052530/V	
7x2,5 mm²	14	40	210	80	700	532	47	S1			CRD 700.052540			CRD 700.052540/V	
		10	220	-	400	322	37	S1			CRD 400.072510			CRD 400.072510/V	
		20	230	-	420	422	47	S1			CRD 420.072520			CRD 420.072520/V	
		25	230	-	570	422	47	S1			CRD 570.072525			CRD 570.072525/V	
12x2,5 mm²	16	40	250	-	820	532	47	-			CRD 800.072540			-	
		10	280	-	520	422	47	S1			CRD 520.122510			CRD 520.122510/V	
		15	280	92	520	422	47	S1			CRD 520.122515			CRD 520.122515/V	
		20	290	92	570	422	47	S1			CRD 570.122520			CRD 570.122520/V	
16x2,5 mm²	20	30	290	92	620	422	47	S1			CRD 600.122530			CRD 600.122530/V	
		25	280	-	620	422	47	S1			CRD 600.162525			CRD 600.162525/V	
18x2,5 mm²	20	10	280	92	520	422	47	S1			CRD 520.182510			CRD 520.182510/V	

**AVVOLGITORE PER CAVI ELETTRICI "SERIE 6000"**

**"SERIES 6000" CABLE REEL**

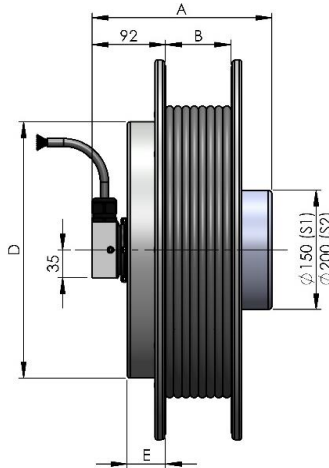
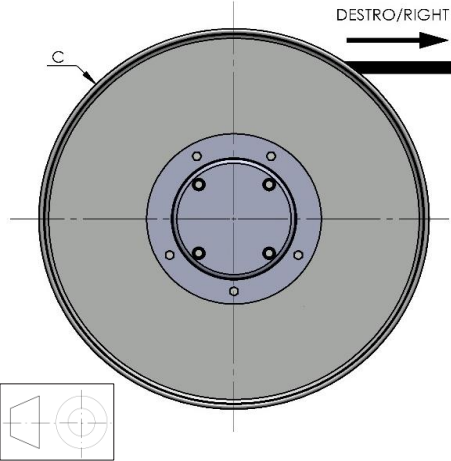
**6000**

Max. tension: 230 - 400 V  
 Max. current: See table  
 Optional: CANBus, Ethernet, Profinet (with approval)  
 Max cable speed: 30 m/min  
 Protection degree: IP 66  
 Temperature range: -20/+60°C

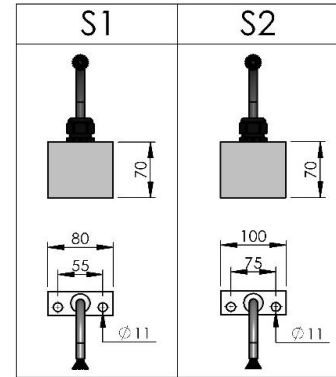
Automatici a molla, non idonei per utilizzo manuale.



Automatic spring driven manual use is not allowed.



Disegno tecnico disponibile a richiesta  
 Technical drawing available on request



Cavo/Cable			V	Collettore Slip-ring	KW	A	B	C	D	E	Supporto Support	Senza cavo - Without cable		Con cavo - With cable										
Tipo/Type	Ø mm	Usable length [m]										Uso orizz. Horiz. use	Uso verticale Vertical use	Uso orizzontale Horizontal use		Uso verticale Vertical use								
												kg		CODE	kg		CODE							
3	3x1,5 mm <sup>2</sup>	8	15	230	2F+T	1.2	3.5	176	75	295	291	47	S1				6002R		6002R					
		25																						
		30																						
	3x2,5 mm <sup>2</sup>	10	15	230	2F+T	1.6	5	170	-	370	322	37	S1				6010R		6010R					
		20																						
		30																						
4	4x1,5 mm <sup>2</sup>	9	10	400	3F+T	4	6	180	-	295	272	37	S1				6020R		6020R					
			15																					
			20																					
		4x2,5 mm <sup>2</sup>	11		10	400	3F+T	7	9	180	-	370	322	37	S1				6035R		6035R			
					15																			
					20																			
	4x4 mm <sup>2</sup>		15	10	400		3F+T	11	15	180	-	478	422	47	S1				6050R		6050R			
				16																				
				20																				
		4x6 mm <sup>2</sup>	15	10		400	3F+T	17	22	180	-	478	422	47	S1				6061R		6061R			
				15																				
				20																				
	4x10 mm <sup>2</sup>		23	10	400		3F+T	25	31	380	-	570	422	47	-				6075R		6075R			
				13																				
				20																				
		4x16 mm <sup>2</sup>	24	10		400	3F+T	32	40	400	-	570	422	47	-				6085R		6085R			
				14																				
				20																				
	4x25 mm <sup>2</sup>		26	15	400		3F+T	40	50	400	-	620	532	47	-				6095R		6095R			
				15																				
				20																				
		30A	3	15		400	30A	3	5	180	-	620	532	47	S1				6042R		-			
				20																				
				35																				
30A	3		10	400	30A		3	5	190	-	720	532	47	S1				6043R		-				
			15																					
			20																					
	30A	3	10		400	30A	3	5	190	-	720	532	47	S1				6044R		-				
			15																					
			20																					
30A		3	10	400		30A	3	5	190	-	720	532	47	S1				6045R		-				
			15																					
			20																					
	30A	3	10		400	30A	3	5	190	-	720	532	47	S1				6046R		-				
			15																					
			20																					
30A		3	10	400		30A	3	5	190	-	720	532	47	S1				6047R		-				
			15																					
			20																					
	30A	3	10		400	30A	3	5	190	-	720	532	47	S1				6048R		-				
			15																					
			20																					
30A		3	10	400		30A	3	5	190	-	720	532	47	S1				6049R		-				
			15																					
			20																					
	30A	3	10		400	30A	3	5	190	-	720	532	47	S1				6050R		-				
			15																					
			20																					
30A		3	10	400		30A	3	5	190	-	720	532	47	S1				6051R		-				
			15																					
			20																					
	30A	3	10		400	30A	3	5	190	-	720	532	47	S1				6052R		-				
			15																					
			20																					
30A		3	10	400		30A	3	5	190	-	720	532	47	S1				6053R		-				
			15																					
			20																					
	30A	3	10		400	30A	3	5	190	-	720	532	47	S1				6054R		-				
			15																					
			20																					
30A		3	10	400		30A	3	5	190	-	720	532	47	S1				6055R		-				
			15																					
			20																					
	30A	3	10		400	30A	3	5	190	-	720	532	47	S1				6056R		-				
			15																					
			20																					
30A		3	10	400		30A	3	5	190	-	720	532	47	S1				6057R		-				
			15																					
			20																					
	30A	3	10		400	30A	3	5	190	-	720	532	47	S1				6058R		-				
			15																					
			20																					
30A		3	10	400		30A	3	5	190	-	720	532	47	S1				6059R		-				
			15																					
			20																					
	30A	3	10		400	30A	3	5	190	-	720	532	47	S1				6060R		-				
			15																					
			20																					
30A		3	10	400		30A	3	5	190	-	720	532	47	S1				6061R		-				
			15																					
			20																					
	30A	3	10		400	30A	3	5	190	-	720	532	47	S1				6062R		-				
			15																					
			20																					
30A		3	10	400		30A	3	5	190	-	720	532	47	S1				6063R		-				
			15																					
			20																					
	30A	3	10		400	30A	3	5	190	-	720	532	47	S1				606						

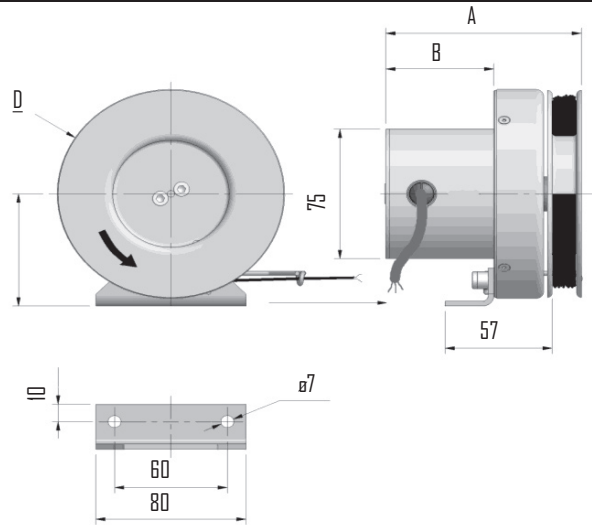


## SENSORI DI LUNGHEZZA SERIE "LR120"

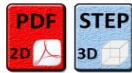
## SERIES "LR120" LENGTH SENSORS

# LR120

Max wire speed: 30 m/min  
Protection degree: IP 65  
Temperature range: -20/+60°C



Disegno tecnico disponibile a richiesta  
Technical drawing available on request



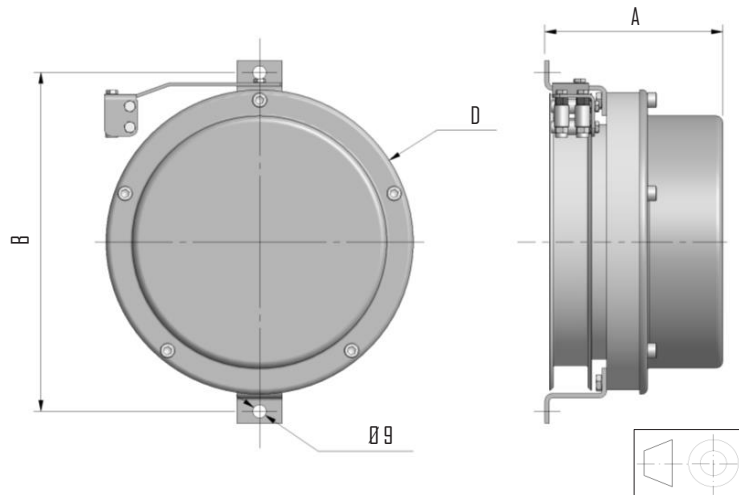
Codice Code	Potentiometer spec.						Usable length m	A	B	D
	Q.ty	Total resistance	Linearity	Turns	Max input	Output				
LRS120.015.1P	1	5K ohm	0.15%	10	24	0~100%	2	113	66	120
LRS120.015.2P	2							113	66	120
LRS120.040.1P	1							113	66	120
LRS120.040.2P	2							113	66	120

## SENSORI DI LUNGHEZZA E ANGOLO SERIE "LR195"

## SERIES "LR195" LENGTH & INCLINATION SENSORS

# LR195

Max tension: 50 V for models with cable  
Max current: 1 A for models with cable  
Max cable speed: 30 m/min  
Protection degree: IP 65  
Temperature range: -20/+60°C



Disegno tecnico disponibile a richiesta  
Technical drawing available on request



Codice Code	N° poli Slipping poles	Tipo cavo Cable type	Potentiometer spec.						Usable length m	A	B	D
			Q.ty	Total resistance	Linearity	Turns	Max input	Output				
LRS195.05.1P	0	Steel rope	1	5K ohm	0.15%	10	24	0~100%	5	119	227	204
LRS195.05.2P			2									
LRS195.11.1P			1									
LRS195.11.2P			2									
LRS195.032505.1P	3	3x0.25 mm <sup>2</sup>	1	5K ohm	0.15%	10	24	0~100%	5	119	227	204
LRS195.032505.2P			2									
LRS195.032510.1P			1									
LRS195.032510.2P			2									

Fornibile con 1 o 2 inclinometri (aggiungere ".1" o ".2" alla fine del codice).

Supplemento per ogni inclinometro

Can be supplied with 1 or 2 inclinometer (add ".1" or ".2" at the end of the code).

Supplement (each inclinometer)

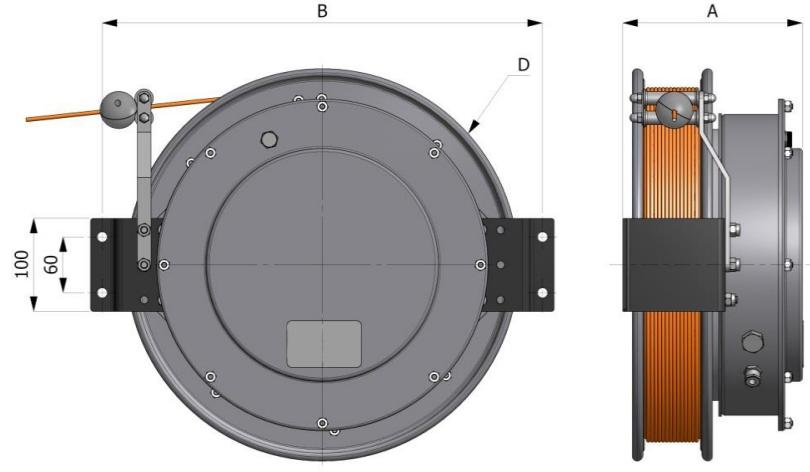
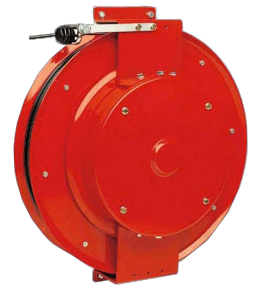
## SENSORI DI LUNGHEZZA E ANGOLO SERIE "LR"

## SERIES "LR" LENGTH & INCLINATION SENSORS

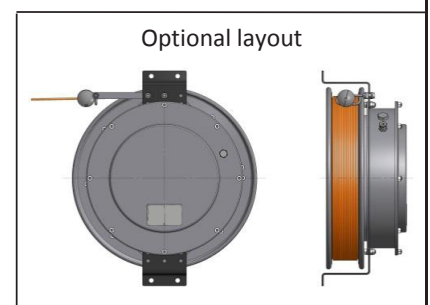
# LR

Max tension: 50 V  
 Max current: 1 A  
 Max cable speed: 30 m/min  
 Protection degree: IP 65  
 Temperature range: -20/+60°C (-40°C+80°C also available)

ROTAZIONE SINISTRA  
LEFT ROTATION



Disegno tecnico disponibile a richiesta PDF STEP  
 Technical drawing available on request 2D 3D



N° poli Poles N°	CAVO CABLE			MODELLO MODEL	A	B	D	PESO WEIGHT	Completo di cavo e: - Equipped with cable and:					
	TIPO TYPE	Ø mm	Corsa Stroke m						1 sensore sfilo 1 length sens.	2 sensori sfilo 2 length sens.	1 s. sfilo + 1 s. angolo 1 length s. + 1 angle s.	2 s. sfilo + 2 s. angolo 2 length s. + 2 angle s.	Output: Volt (4..20 mA and CanBUS available on request) *	
													X = 1	X = 2
0	FUNE ACCIAIO STEEL WIRE ROPE	1.5	20	LR 320.20.XP.YI	222	400	320	14						
		1.5	30	LR 420.30.XP.YI	222	473	420	20						
3	3xAWG25 SCHERMATO SCREENED	3.8	20	LR 320.032520.XP.YI	222	400	320	15						
			32	LR 420.032532.XP.YI	222	473	420	21						
			40	LR 420.032540.XP.YI	222	473	420	21						
			50	LR 520.032550.XP.YI	271	570	520	25						
5	4xAWG26 SCHERMATO SCREENED	4.0	20	LR 320.052520.XP.YI	222	400	320	16						
			32	LR 420.052532.XP.YI	222	473	420	22						
			40	LR 420.052540.XP.YI	222	473	420	22						
			50	LR 520.052550.XP.YI	271	570	520	25						
<i>Schermatura usata come 5° conduttore Screening used as 5th wire</i>														
7	7x0,34 SCHERMATO SCREENED	6.3	10	LR 320.073410.XP.YI	222	400	320	17						
			30	LR 420.073432.XP.YI	222	473	420	23						
			40	LR 520.073440.XP.YI	271	570	520	26						
10	12x0,75 sc	11.5	12	LR 420.107512.XP.YI	274	473	420	22						
12	12x0,5	11.5	20	LR 420.120520.XP.YI	257	473	420	22						
	12x0,5	15.3	23	LR 520.121523.XP.YI	325	570	520	29						

\* Uscita 4..20 mA: aggiungere "A" dopo "P" o "I" nel cod. (LR320.012520.1PA.2IA). Maggiorazione per ogni sensore Euro:  
 \* 4..20 mA output: add "A" after "P" or "I" in the code (LR320.012520.1PA.2IA). Price increasing for each sensor Euro:  
 \* Uscita CanBUS: aggiungere "CB" dopo "P" o "I" nel cod. (LR320.012520.1PCB.2ICB). Maggiorazione per ogni sensore Euro:  
 \* CanBUS output: add "CB" after "P" or "I" in the code (LR320.012520.1PCB.2ICB). Price increasing for each sensor Euro:



## AVVOLGITORE PER CAVI ELETTRICI SERIE "500"

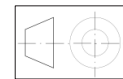
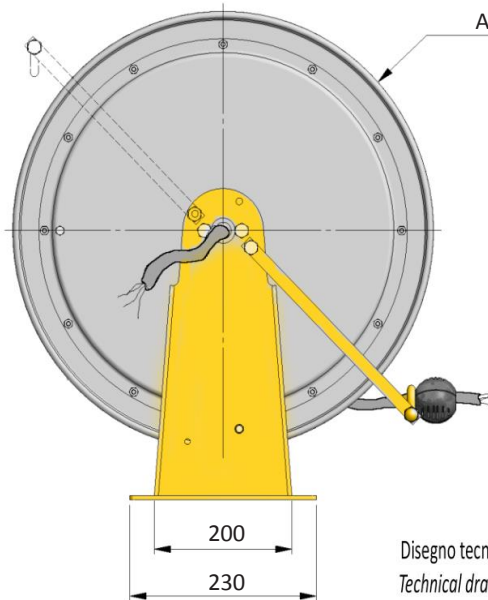
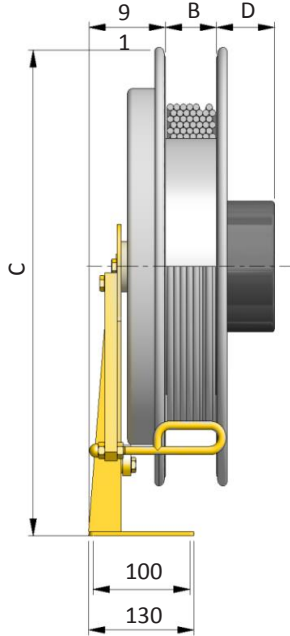
## "500 SERIES" CABLE REEL

# 500

Max tension: 230 - 400 V  
 Max cable speed: 30 m/min  
 Protection degree: IP 65  
 Temperature range: -20/+60°C

Svolgimento cavo manuale, riavvolgimento automatico a molla con blocco.

Cable unwinding: manual by operator  
 whit lock system, cable rewinding: by spring



Disegno tecnico disponibile a richiesta  
 Technical drawing available on request



Cavo/Cable			V	Collettore Slip-ring	KW		A	B	C	D	CODICE CODE	SENZA CAVO WITHOUT CABLE	CON CAVO WITH CABLE	
Tipo/Type	ø mm	m			mm	mm	mm	mm	mm	kg				
1x16 mm <sup>2</sup>	-	10	Su richiesta / On request								519			
		20									520			
		30									521			
1x25 mm <sup>2</sup>	-	10	Su richiesta / On request								525			
		20									526			
		30									527			
1x70 mm <sup>2</sup>	-	20	Su richiesta / On request								518			
1x90 mm <sup>2</sup>	-	10	Su richiesta / On request								524			
		18									530			
											531			
3x1,5 mm <sup>2</sup>	8	10	230	2F+T 30 A	1.2	3.5	478	57	540	37	532			
		20									533			
		30									537			
3x2,5 mm <sup>2</sup>	10.2	10	230	2F+T 30 A	1.8	5.5	478	67	540	37	538			
		20									539			
		30									543			
4x1,5 mm <sup>2</sup>	9.3	10	400	3F+T 30 A	4	6	478	57	540	37	544			
		20									545			
		30									549			
4x2,5 mm <sup>2</sup>	10.7	10	400	3F+T 30 A	7	9	478	80	540	37	550			
		20									551			
		30									555			
4x4 mm <sup>2</sup>	15	10	400	3F+T 30 A	11	15	478	92	540	37	556			
		20									557			
		30									561			
4x6 mm <sup>2</sup>	14.5	10	400	3F+T 30 A	17	22	478	92	540	37	562			
		20									563			
		30									567			
5x1,5 mm <sup>2</sup>	10	10	400	3F+T+N 30 A	4	6	478	67	540	44	568			
		20									569			
		30									573			
5x2,5 mm <sup>2</sup>	13	10	400	3F+T+N 30 A	7	9	478	80	540	44	574			
		20									575			
		30									579			
5x4 mm <sup>2</sup>	16.2	10	400	3F+T+N 30 A	11	15	478	92	540	44	580			
		20									581			
		30												

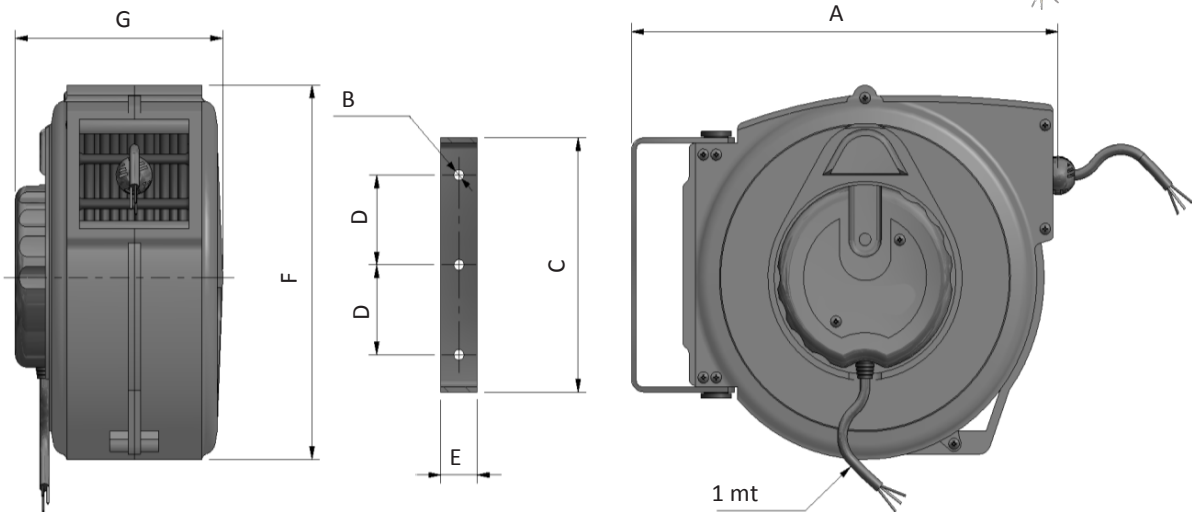
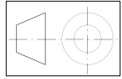
## AVVOLGICAVO ELETTRICO SERIE "700"

## "700" SERIES ELECTRICAL CABLE REEL

# 700

Max cable speed: 30 m/min  
Protection degree: IP 48  
Temperature range: -20/+60°C

Automatico con dispositivo di arresto del cavo e staffa orientabile  
Auto roller cable reel with cable lock and mounting bracket  
Automatique avec système d'arrêt du cable et étrier pivotant  
Automatisch mit Kabel und schwenkbarer Halterung



ART.	CAVO CABLE	m		Watt		A	B	C	D	E	F	G	PREZZO PRICE	
				V	⊕									
701	1x6	15	2.5 kV Max - Earth connection	800	2000	320	8	190	70	30	250	160		5
710	2x1	7	230	800	1400	220	8	156	50	30	185	135		4
711		15	230	800	60	320	8	190	70	30	250	150		7
712		15	12	60	60	320	8	190	70	30	250	160		6.5
713		15	24	60	60	320	8	190	70	30	250	160		6.5
720	3x1,5	5	230	800	2000	220	8	156	50	30	185	135		4
721		10		800	2000	320	8	190	70	30	250	160		4.5
722		15		800	2000	320	8	190	70	30	250	160		5.1
723		25		800	2000	450	8	190	70	30	361	195		8.5
724		35		800	2000	530	8	190	70	30	425	210		10
726	3x2,5	20	230	1600	3.500	530	8	190	70	30	425	210		10
740	5x1,5	20	400	1000	3000	450	15	190	70	30	350	210		9
741		30	400	1000	3000	530	8	190	70	30	425	210		11
753	5x2,5	15	400	2800	5000	450	8	190	70	30	365	210		11

TUBI IDRAULICI SINGOLI						SINGLE HYDRAULIC HOSES						TU1				
<b>B1</b>	TERMOPLASTICO CON 1 TRECCIA D'ACCIAIO DI RINFORZO - THERMOPLASTIC WITH 1 STEEL BRAID REINFORCEMENT															
<b>1SN</b>	GOMMA SINTETICA CON 1 TRECCIA D'ACCIAIO DI RINFORZO - SYNTHETIC RUBBER WITH 1 STEEL BRAID REINFORCEMENT															
<b>I21</b>	GOMMA SINTETICA CON 2 TRECCE D'ACCIAIO DI RINFORZO - SYNTHETIC RUBBER WITH 2 STEEL BRAIDS REINFORCEMENT															
<b>2SN</b>																
<b>2SC</b>																
<b>I40</b>																
<b>4SP</b> <b>4SH</b>	GOMMA SINTETICA CON 4 TRECCE D'ACCIAIO DI RINFORZO - SYNTHETIC RUBBER WITH 4 STEEL BRAIDS REINFORCEMENT															
<b>462</b>	<b>Appr. ABS</b>	GOMMA SINTETICA - 2 TRECCE ACCIAIO DI RINFORZO				<b>ABS approval</b>	SYNTHETIC RUBBER - 2 STEEL BRAIDS REINFORCEM.									
<b>2TE</b>	GOMMA SINTETICA CON 1 TRECCIA TESSILE DI RINFORZO - SYNTHETIC RUBBER WITH 1 POLYESTER BRAID REINFORCEMENT															
 DN Inch [mm]	 mm	 mm	 Kg/m	 bar	TIPO TYPE	Raccordatura Fittings		 DN Inch [mm]	 mm	 mm	 Kg/m	 bar	TIPO TYPE	Raccordatura Fittings		
						Standard	Inox St. steel							Standard	Inox St. steel	
<b>1/4"</b> [6,35]	12.1	50	0.15	210	I21			<b>5/8"</b> [16]	24.7	200	0.51	130	1SN			
	14.1	100	0.21	225	1SN				24.3	130	0.67	250	2SC			
	12.2	30	0.17	310	B1				28.5	250	1.13	360	4SP			
	<b>3/4"</b> [19]	13.5	40	0.26	375	Z2			<b>3/4"</b> [19]	28.6	240	0.64	105	1SN		
		13.5	70	0.29	400	2SC				27.7	160	0.90	215	2SC		
		13.4	70	0.28	400	I40				27.7	196	0.86	280	462		
		13.4	75	0.30	425	462				32	300	1.53	350	4SP		
14.5		40	0.26	700	Z3			<b>1"</b> [25]		36.6	300	0.97	88	1SN		
<b>5/16"</b> [8,10]	14.1	60	0.22	210	I21				35.6	200	1.28	165	2SC			
	15.7	115	0.33	215	1SN				35.4	250	1.17	210	462			
	13.4	55	0.19	250	B1				38.7	340	2.09	380	4SH			
	15	80	0.35	350	2SC			<b>1.1/4"</b> [32]	44.8	420	1.09	63	1SN			
<b>3/8"</b> [9,53]	18.1	130	0.34	180	1SN				49.6	420	1.90	125	2SN			
	15.6	65	0.26	210	I21				45.5	460	2.51	325	4SH			
	16	65	0.26	225	B1			<b>1.1/2"</b> [38]	52	500	1.33	50	1SN			
	17.9	90	0.47	330	2SC				56	500	2.30	90	2SN			
	17.2	90	0.42	350	462				53.5	560	3.42	290	4SH			
<b>1/2"</b> [12,7]	21.4	178	0.78	445	4SP											
	21.5	180	0.45	160	1SN											
	18.3	85	0.30	190	B1											
	19.5	90	0.41	210	I21											
	20.6	120	0.56	275	2SC											
	20.4	130	0.52	310	462											
	20.6	120	0.51	400	I40											
24.6	230	0.93	415	4SP												

## TU2

### TUBI IDRAULICI GEMELLATI

### TWIN HYDRAULIC HOSES

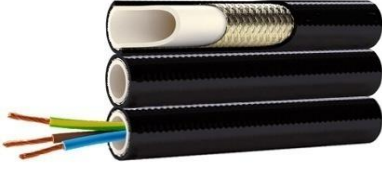
Diametro nominale Nominal diameter				TIPO TYPE			Raccordatura Fittings		
INCH								Standard	Inox Stainless steel
	mm	mm	mm	Kg/m	bar	°C			
R 7 R 8	TERMOPLASTICO CON TRECCIA TESSILE DI RINFORZO THERMOPLASTIC WITH TEXTILE BRAID REINFORCEMENT								
	TERMOPLASTICO CON 1 TRECCIA D'ACCIAIO DI RINFORZO THERMOPLASTIC WITH 1 STEEL BRAID REINFORCEMENT								
B1	TERMOPLASTICO CON 1 TRECCIA D'ACCIAIO DI RINFORZO THERMOPLASTIC WITH 1 STEEL BRAID REINFORCEMENT								
B2	GOMMA CON 2 TRECCE D'ACCIAIO DI RINFORZO RUBBER WITH 2 STEEL BRAIDS REINFORCEMENT								
T2 B3	TERMOPLASTICO CON 2 TRECCE D'ACCIAIO DI RINFORZO THERMOPLASTIC WITH 2 STEEL BRAIDS REINFORCEMENT								
R18	TERMOPLASTICO PER BASSE TEMPERATURE THERMOPLASTIC - LOW TEMPERATURE								
3/16"	5.00	9.60 9.70	25 30	0.12 0.24	R7 B1	210 360	-40 / +100 -40 / +100		
1/4"	6.30	12.20	30	0.20	R7	210	-40 / +100		
		11.70	40	0.33	B1	310	-40 / +100		
		11.50	30	0.34	R8	350	-40 / +100		
		13.50	40	0.53	Z2	375	-40 / +100		
		14.50	40	0.53	Z3	700	-40 / +100		On request
5/16"	8.10	14.40	45	0.25	R7	190	-40 / +100		
		14.30	45	0.26	R18	210	-55 / +100		On request
		13.40	55	0.37	B1	250	-40 / +100		
		14.40	45	0.25	R8	300	-40 / +100		
		15.10	55	0.64	B2	350			
3/8"	10.00	16.00	55	0.29	R7	160	-40 / +100		
		16.60	45	0.33	R18	210	-55 / +100		On request
		16.00	65	0.53	B1	225	-40 / +100		
		16.00	55	0.29	R8	280	-40 / +100		
		17.00	65	0.84	T2	330	-40 / +100		
		17.00	90	0.80	B2	350			On request
		16.60	120	0.80	B3	420			
1/2"	12.50	18.30	85	0.60	B1	190	-40 / +100		
		22.50	70	0.59	R18	210	-55 / +100		On request
		20.00	75	0.42	R8	245	-40 / +100		
		20.20	85	0.90	T2	275	-40 / +100		
		20.00	130	1.04	B2	310			On request
		21.30	80	0.78	CPLT5000	350	-55 / +100		
		20.20	150	1.04	B3	350			
5/8"	16.00	25.00	160	1.32	B3	250		On request	
3/4"	19.00	28.50	150	1.11	HDH	250	-40 / +100	On request	

TUBI A 3 VIE										3 PORT HOSES			TU 3	
Diametro nominale Nominal diameter					TIPO				Raccordatura Fittings					
INCH	mm				mm				Kg/m	TYPE		Standard	Inox Stainless st.	
	mm	mm	mm			bar	°C							
1/4"	6.35	12.2	30	0.285	R7	210	-40 / +100							
		11.7	40	0.495	B1	310	-40 / +100							
5/16"	8,10	14.4	45	0.375	R7	190	-40 / +100							
		13.4	55	0.558	B1	250	-40 / +100							
		14.8	50	0.945	T2	400	-40 / +100							
3/8"	9,53	16	65	0.792	B1	225	-40 / +100							
		16	55	0.440	R8	280	-40 / +100							
		17	65	1.260	T2	330	-40 / +100							
1/2"	12,70	16.6	90	1.200	B3	420	-							
		18.4	85	0.900	B1	190	-40 / +100							
		20.3	75	0.660	R8	245	-40 / +100							
		20.2	85	1.350	T2	275	-40 / +100							
		20.2	150	1.560	B3	350	-							
5/8"	16,00	25	160	1.980	B3	250	-							

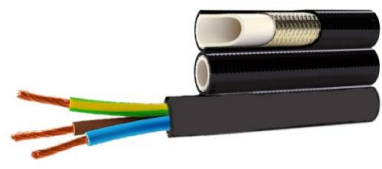
TUBI A 4 VIE										4 PORT HOSES			TU 4	
Diametro nominale Nominal diameter					TIPO				Raccordatura Fittings					
INCH	mm				mm				Kg/m	TYPE		Standard	Inox Stainless st.	
	mm	mm	mm			bar	°C							
3/8"	9.53	16	55	0.580	R7	160	-40 / +100							

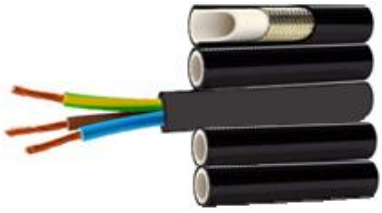








TUBI A 2 VIE + CAVO					2 PORT HOSES + CABLE			TU 3/E			
Diametro nominale Nominal diameter						TIPO TYPE				Raccordatura Fittings	
INCH	mm					mm	mm			mm	Kg/m
1/4"	6.35	11.7	40	0.591	B1	4x1	310				
5/16"	8.10	13.4	55	0.700	B1	6x1	250				
1/2"	12.7	18.4	85	1.188	B1	12x1	190				
		20.2	150	1.848	B3	12x1	350				

TUBI BINATI + CAVO					TWIN HOSES + CABLE			TU 2+E			
Diametro nominale Nominal diameter						TIPO TYPE				Raccordatura Fittings	
INCH	mm					mm	mm			mm	Kg/m
1/4"	6.35	12.2	30	0.381	R7	8x1	210				
		11.7	40	-	B1	8x1	310				
5/16"	8.10	14.4	45	0.517	R7	12x1,5	190				
		14.3	45	0.515	R18	12x1 Sc	210				
3/8"	9.53	16	55	0.665	R7	12x1,5	160				
		16	65	-	B1	12x1,5	225				
		16	65	0.910	B1	16x1,5	225				
		16	55	0.665	R8	12x1,5	280				
		16	55	-	R8	18x1	280				
		17	65	-	T2	18x1 Sc	330				
		16.6	90	1.175	B3	12x1,5	420				
16.6	120	-	B3	(1x2x0,22 + 14x1,5)	420						
1/2"	12.7	21.3	70	-	R18	18x1,5 Sc	210				

TUBI A 4 VIE + CAVO					4 PORT HOSES + CABLE			TU 4+E				
Diametro nominale Nominal diameter						TIPO TYPE				Raccordatura Fittings		Posizione del cavo Cable position
INCH	mm					mm	mm			mm	Kg/m	
5/16"	8.10	14.3	45	0.827	R18	12x1 Sc	210					
		<p>Tipo 1 - Cavo in mezzo Type 1 - Cable in the middle</p>										
5/16"	8.10	14.3	45	0.827	R18	12x1 Sc	210					
		<p>Tipo 2 - Cavo laterale Type 2 - Lateral cable</p>										

CAVI ELETTRICI POSA MOBILE PER AVVOLGICAVO					ELECTRIC CABLES FOR CABLE-REEL			CABLE 		
n. of conductors	TIPO	Codice			Conduttore Giallo/Verde	GUAINA	Rinforzo Reinforcement			
	TYPE	Code	mm	Kg/m	Yellow/Green Conductor	COVER	S = STEEL T = TEXTILE K = KEVLAR	°C	V - U <sub>0</sub> /U	
2	2x1,5	810.01.20	7.4	-	NO	PVC	S	-	-	
3	3x0,22 Sc	810.00.24	3.8	0.020	NO	PUR	K	-20 +60	300-500	
	3x1	810.00.42	7.3	0.083	YES	PUR	K	-40 +80	600-1000	
	3x1,5	810.02.19	7.9	-	YES	PUR	T	-40 +80	600-1000	
	3x2,5	810.01.62	7.9	0.109	YES	TPE	T	-20 +60	300-500	
4	4x0,14 Sc	810.01.21	4.2	0.022	NO	PUR	K	-40 +80	300-500	
	4x1,5	810.01.34	8.5	0.120	YES	PUR	T	-20 +60	300-500	
	4x2,5	810.01.76	11	0.205	YES	PUR	K	-20 +60	300-500	
	4x4	810.00.50	15	0.281	YES	RUB	T	-40 +80	600-1000	
	4x6	810.00.54	20	0.514	YES	RUB	-	-40 +60	450-750	
	4x10	810.00.84	23	0.800	YES	RUB	T	-40 +80	600-1000	
	4x16	810.00.57	24	1.120	YES	RUB	T	-40 +80	600-1000	
	4x25	810.00.63	29	1.270	YES	RUB	T	-40 +80	600-1000	
5	4x35	810.00.68	36	2.645	YES	RUB	-	-25 +60	450-750	
	5x1,5	810.02.11	-	-	YES	PUR	T	-20 +60	300-500	
	5x2,5	810.01.28	9.8	0.270	YES	PUR	K	-40 +80	300-500	
	5x4	810.01.16	16.2	0.318	YES	RUB	T	-40 +80	600-1000	
7	5x6	810.00.56	18.5	0.550	YES	RUB	-	-40 +80	600-1000	
	7x0,34 Sc	810.00.34	6.1	0.070	NO	PUR	T	-20 +60	300-500	
	7x0,5 Sc	810.01.07	7.3	0.080	NO	PVC	T	-20 +60	300-500	
	7x1 Sc	810.00.51	10.3	0.190	YES	PVC	T	-20 +60	300-500	
8	7x1,5	810.01.31	10.7	0.177	YES	PUR	S	-40 +80	300-500	
	7x2,5	810.00.43	14.2	0.316	NO	PUR	T	-40 +80	600-1000	
	8x1	810.01.71	10	0.170	NO	PUR	T	-40 +80	450-750	
12	12x0,5 Sc	810.01.25	11.5	0.150	NO	PUR	T	-20 +60	300-500	
	12x1	810.01.82	13	0.220	NO	PUR	T	-40 +80	450-750	
	12x1,5	810.00.74	15.3	0.350	NO	PUR	T	-40 +80	450-750	
	12x2,5	810.00.97	15.8	0.446	YES	PUR	T	-40 +80	300-500	
16	16x1	810.00.06	15.3	0.366	NO	PVC	S	-20 +60	300-500	
	16x1,5	810.01.38	14.2	0.462	NO	PUR	S	-40 +80	300-500	
20	20x1	810.00.37	14.8	0.400	NO	PVC	S	-20 +60	300-500	
24	24x1	810.00.07	15.5	0.426	NO	PVC	S	-20 +60	300-500	
	24x1,5	810.00.41	20.8	0.600	YES	PUR	T	-40 +80	600-1000	
	24x2,5	810.00.45	22.8	0.820	YES	PUR	T	-40 +80	600-1000	
30	30x1	810.00.60	17	0.444	YES	PUR	T	-40 +80	300-500	
36	36x1	810.00.17	18.6	0.758	YES	PUR	T	-40 +80	300-500	
	36x1,5	810.00.62	20.6	1.066	YES	PUR	T	-40 +80	300-500	
Cavi ibridi - Hybrids cables										
H1	(4x1,5)+2x(2x0,75)	810.01.94	12.3	0.209	YES	PUR	T	-40 +90	600-1000	
H2	(1x2x0,22)+(9x1,5) Sc	810.01.19	12	-	NO	PUR	K	-40 +80	-	
H3	(1x2x0,22)+(14x1,5) Sc	810.01.58	16	-	NO	PUR	K	-40 +80	-	
H4	(4x2,5)+(16x1)+(4x1)	810.00.30	18.2	0.509	YES (2.5mm <sup>2</sup> )	PUR	K	-40 +80	-	

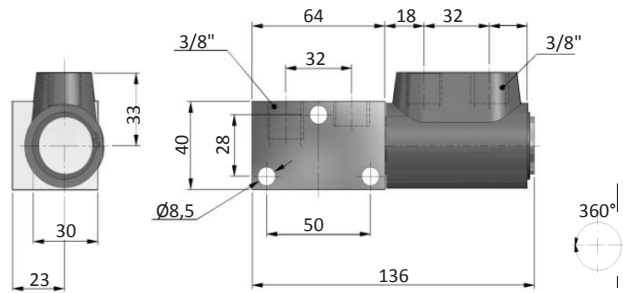
**GIUNTI GIREVOLI A 2 VIE IDRAULICHE**

**2 PORT SWIVEL BLOCKS**

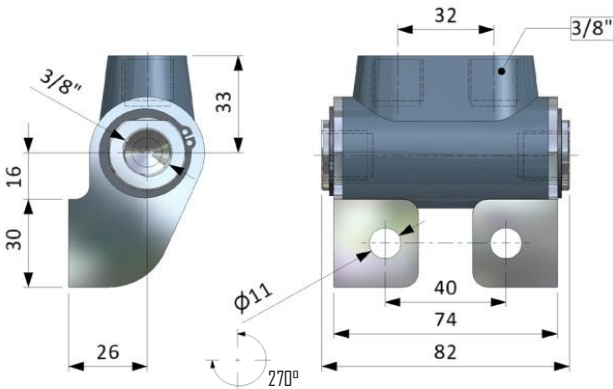
**GR-2**



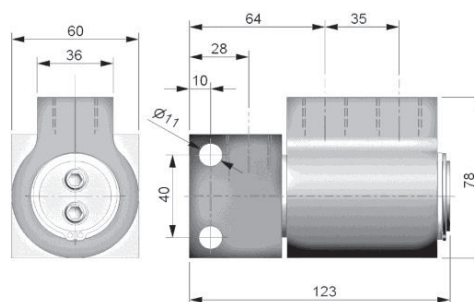
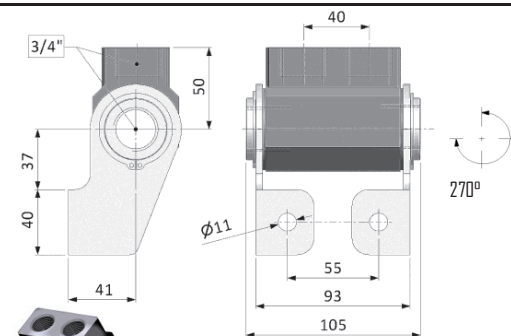
**Pressione mass. di esercizio  
Max. working pressure:**  
24 Mpa



Modello	Vie	
Modello	Port	
GR 2.10	2x3/8"	



MODELLO					VIE	
MODEL	A	B	C	D	PORT	
GR 1.06	32	40	74.5	82	2x1/4"	
GR 1.10	32	40	74.5	82	2x3/8"	
GR 5.06	27	29	63	71	2x1/4"	
GR 5.10	27	29	63	71	2x3/8"	



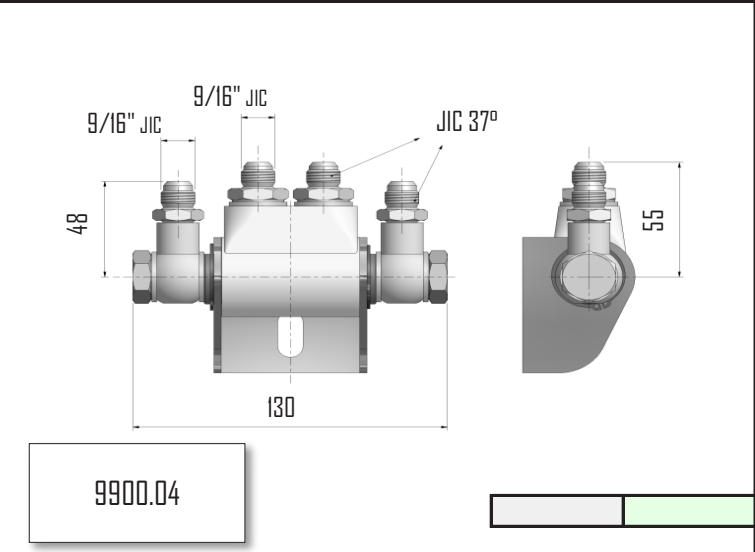
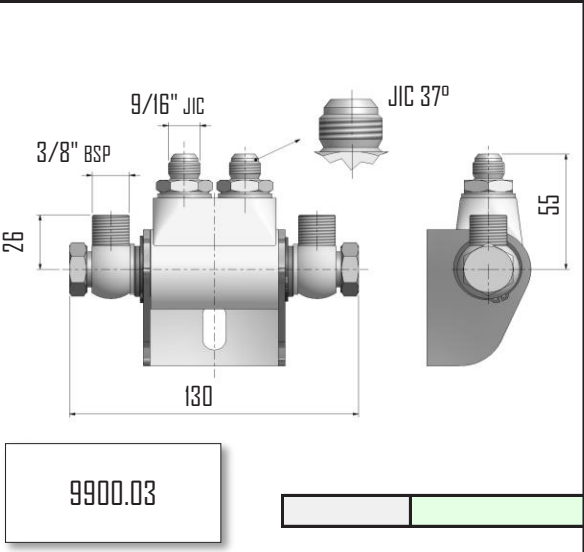
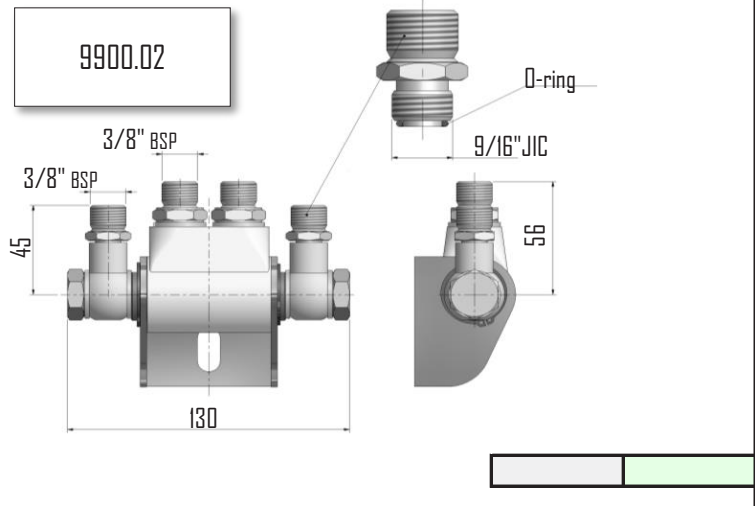
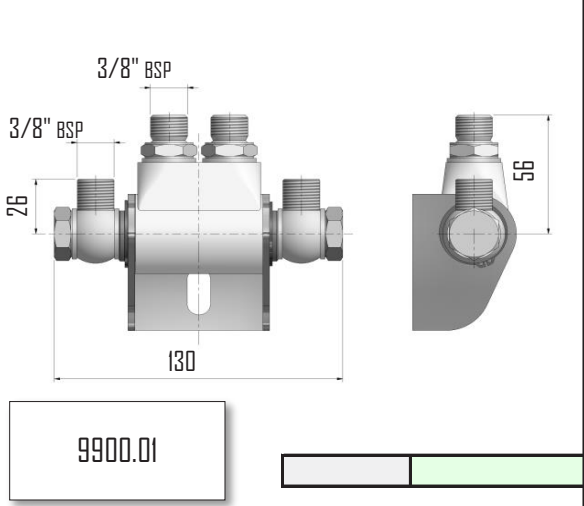
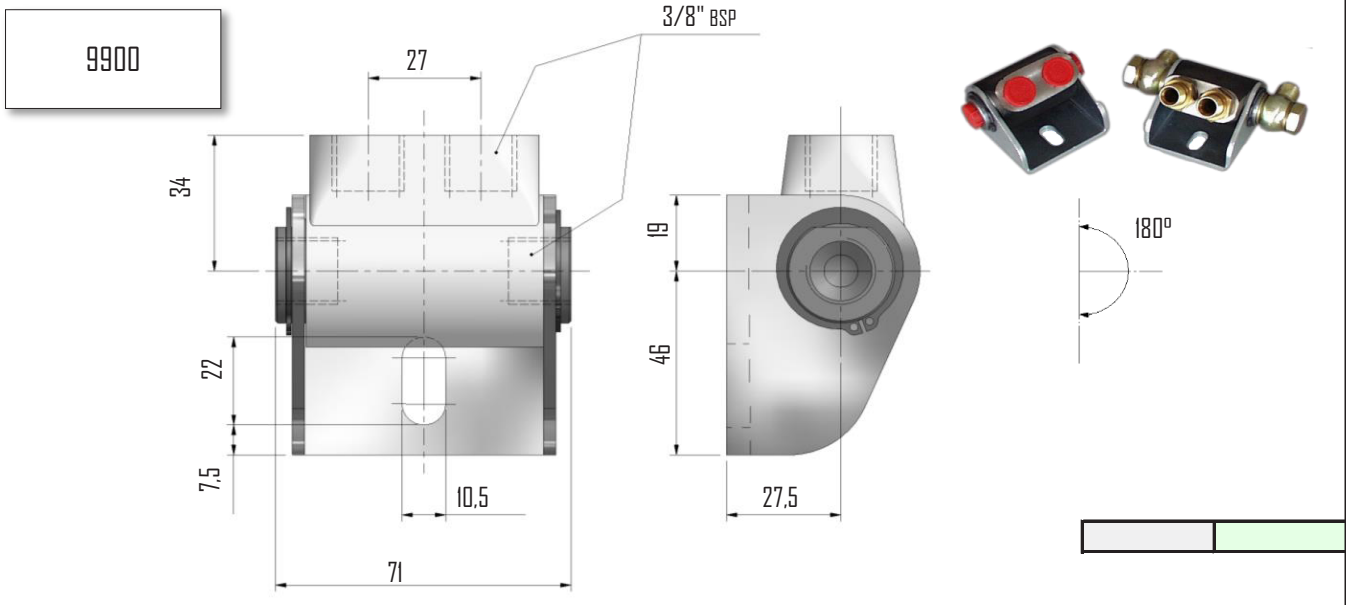
Modello	Vie	
Modello	Port	
GR 1.19	2x3/4"	

Modello	Vie	
Modello	Port	
GR 2.12	2x1/2"	

**GIUNTI GIREVOLI "SERIE 9900" - 2 VIE**

**"SERIE 9900" SWIVEL BLOCKS - 2 PORT**

**9900**



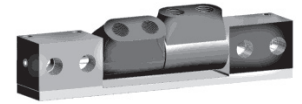
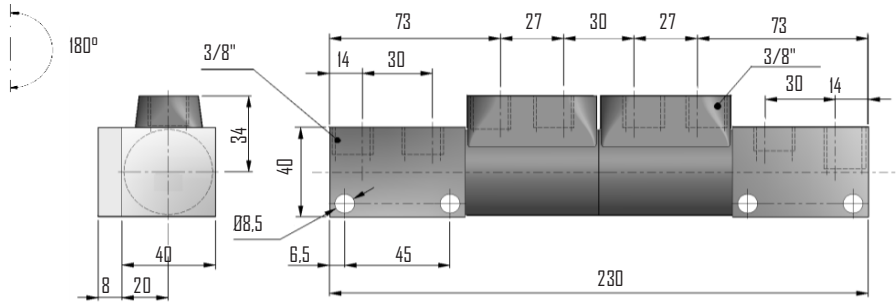
**GIUNTI GIREVOLI A 4 VIE IDRAULICHE**

**4 PORT SWIVEL BLOCKS**

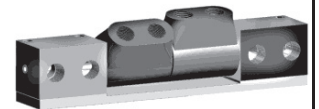
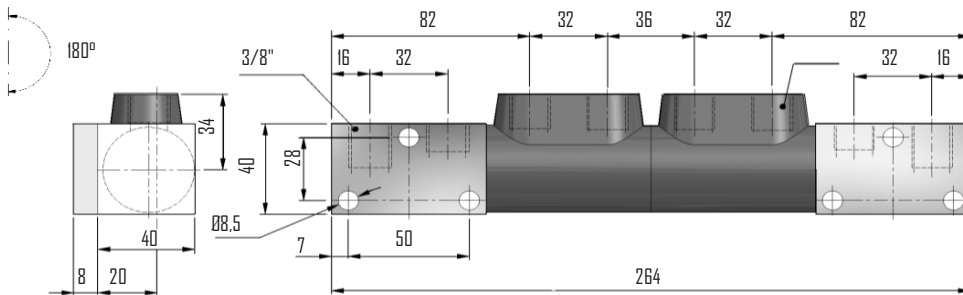
**GR-4**



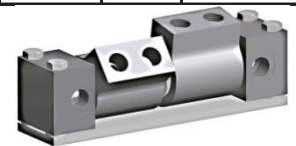
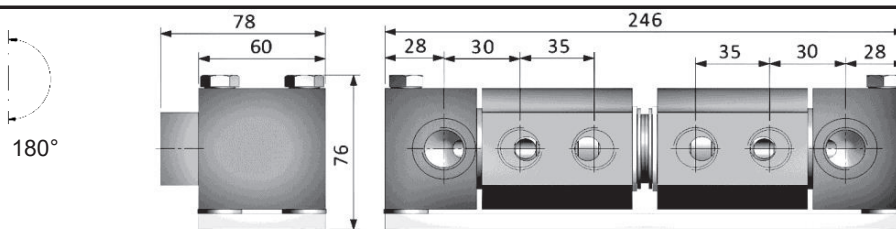
Pressione mass. di esercizio:	24 Mpa
Max. working pressure:	



Modello	Vie	
Modello	Port	
GR 4.10	4x3/8"	



Modello	Vie	
Modello	Port	
GR 4.12	4x3/8"	



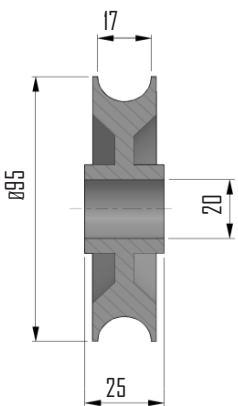
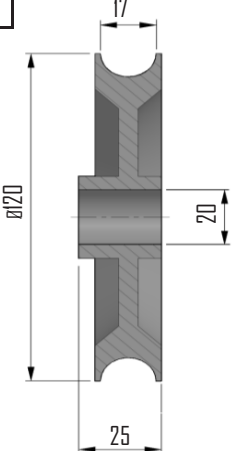
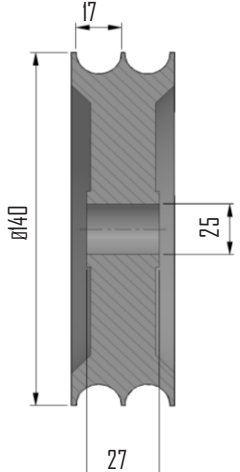
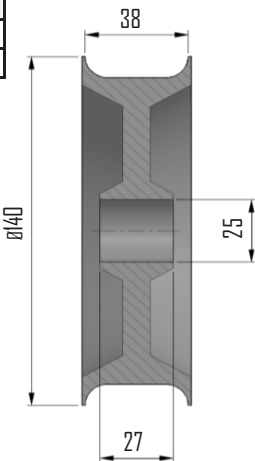
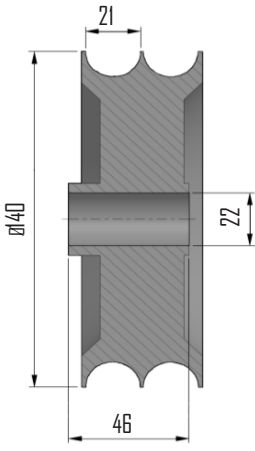
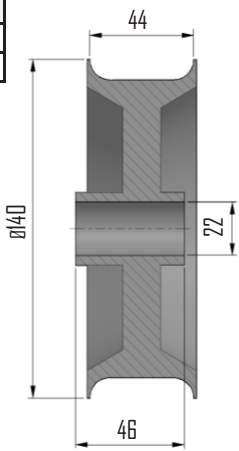
Modello	Vie	
Modello	Port	
GR.12	4x1/2"	



GIUNTI SNODATI		CROCODILE		CDL	
<p>CDL 105/Cable</p>		<p>CDL 100</p>		<p>CDL 200</p>	
<p>CDL 300</p>		<p>CDL 500</p>		<p>CDL 600</p>	
MODELLO MODEL	CODICE CODE	VIE PORT	A mm	B mm	
CDL 105/Cable	CDL 105/Cable	301.07.22	N°1 Cable 3x1,5	86	
CDL 100	CDL 105	301.07.21	2x3/16"	86	
	CDL 106	301.07.18	2x1/4"		
	CDL 108	301.07.19	2x5/16"		
	CDL 110	301.07.20	2x3/8"		
	CDL 112	301.07.06	2x1/2"	98	
	CDL 116	301.06.84	2x5/8"		
CDL 200	CDL 206	301.06.05	4x1/4"	77.5	
	CDL 208	301.07.23	4x5/16"		
	CDL 210	301.07.24	4x3/8"		
	CDL 212	301.07.25	4x1/2"	89	
CDL 300	CDL 306	301.07.26	3x1/4"	117	
	CDL 308	301.07.27	3x5/16"		
	CDL 310	301.07.28	3x3/8"	136	
	CDL 312	301.06.68	3x1/2"		
	CDL 316	301.07.29	3x5/8"		
CDL 500	CDL 506	301.07.30	5x1/4"	77.5	110
	CDL 508	301.07.31	5x5/16"		
	CDL 510	301.07.32	5x3/8"		
	CDL 512	301.07.11	5x1/2"	89	
CDL 600	CDL 606	301.07.33	6x1/4"	78	68
	CDL 608	301.07.34	6x5/16"		
	CDL 610	301.07.08	6x3/8"		

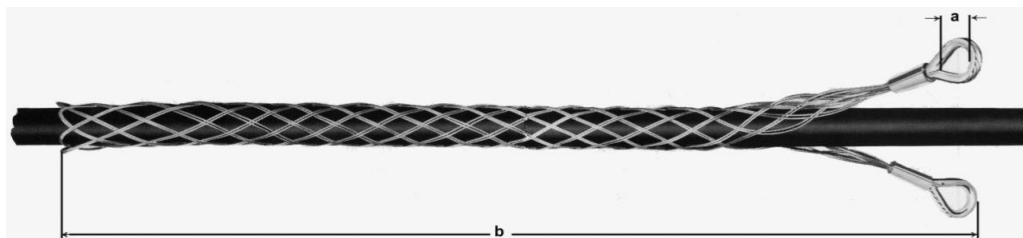
FERMATUBO	HOSE STOPPER			STP	
	CODICE CODE	TUBO SINGOLO SINGLE HOSE Ø mm	TUBO BINATO TWIN HOSE Ø mm	A mm	B mm
	700.01.08	5	-	4	4
	700.01.80	10	-	9	9
	700.02.12	7	-	6	-
	700.02.13	10	-	9	-
	700.02.14	12	-	11	-
	700.02.15	16	-	15	-
	700.02.16	17,5	-	16,5	-
	700.01.76	12	-	11	-
	700.01.09	15	-	14	-
	700.01.10	17	-	16	-
	700.01.11	19	-	18	-
	700.01.27	22	-	21	-
	700.01.28	25	-	24	-
	700.02.28	57		55	-
	700.01.30	-	2x12	22	11
	700.01.19	-	2x14	26	13
	700.01.20	-	2x16	30	15
	700.01.26	-	2x18	34	17
	700.01.48	-	2x20	38	19
	700.01.12	26 - 30	-	-	-
	700.01.13	30 - 35	-	-	-

GUIDATUBO		HOSE GUIDE					GU			
MODELLO MODEL	A mm	B mm	C mm	D mm	E mm					
9302	36	36	54	96	95	1/4"	1/4"	--	--	
						5/16"	--	--	--	
						3/8"	--	--	--	
						1/2"	--	--	--	
9300	56	36	74	116	95	--	--	1/4"	--	
						--	5/16"	5/16"	--	
						--	3/8"	--	--	
						--	1/2"	--	--	
9301	110	36	128	170	95	--	--	--	1/4"	
						--	--	--	5/16"	
						--	--	3/8"	3/8"	
						--	--	1/2"	1/2"	
9303	56	60	74	116	119	1 1/4"	--	--	--	
9304	110	60	128	170	119					

PULEGGE IN NYLON	NYLON PULLEYES	PLL
<p>Cod. 700.01.36</p> 	<p>Cod. 700.01.37</p> 	
<p>Cod. 700.01.38</p> 	<p>Cod. 700.01.39</p> 	
<p>Cod. 700.01.58</p> 	<p>Cod. 700.01.59</p> 	
<p>Altri modelli disponibili a richiesta Autres modèles disponibles sur demande</p>	<p>Other models available on request Andere Modelle auf Anfrage</p>	

**ACCESSORI PER AVVOLGITUBO SERIE "9000"**
**HOSE REEL SERIES "9000" ACCESSORIES**
**ACC**


CODICE CODE	DESCRIZIONE DESCRIPTION	ATTACCO COUPLING	TEMP. D'ESERCIZIO WORK. TEMPERATURE		PRESS. D'ESERCIZIO WORK. PRESSURE		PORTATA FLOW RATE
			MAX		MAX		MAX
			°C	°F	bar	Mpa	L/min
710.12.03	Lancia 3/8" per idropulitrice, getto fisso Spray lance, fix flush	3/8"	100	210	175	17,5	30
710.12.54	Lancia per idropulitrice, getto regolabile Spray gun with flushing regulator	-	150	302	200	20	25
710.12.06	Pistola 1/2" per idropulitrice con getto fisso 1/2" Spray gun with fix flush	1/2"	160	320	60	6	120
710.12.27	Lancia per antincendio getto regolabile Fire fighting lance, flushing regulator	M38x1,5	60	140	40	4	170
710.12.28	stola 1/2" per idropulitrice con getto regolab 1/2" spray gun with flushing regulator	1/2"	90	195	25	2.5	60
710.12.60	stola 1/4" per idropulitrice con getto regolab 1/4" spray gun with flushing regulator	1/4"	100	210	200	20	30

**Calza metallica in acciaio zincato per trazione cavi elettrici o tubi idraulici  
Galvanised steel wire cable grip used for electrical cable or hydraulic hose traction**
**CLZ**


Tipo Type	Ø cavo Cable Ø (mm)	Carico max. Admissible load (N)	a (mm)	b (mm)	Peso Weight (Kg)	Usato anche per - Also used for
CM0710	7-10	2000	11	800	0,1	
CM1014	10-14	2500	11	800	0,1	
CM1420	14-20	4000	11	800	0,2	
CM2030	20-30	5000	16	900	0,3	Twin hose: 5/16" - 3/8"
CM2545	25-45	7500	18	1100	0,6	Twin hose 1/2"
CM4560	45-60	13000	18	1100	0,6	





Poichè HANSA-TMP offre una gamma di prodotti molto estesa ed alcuni di questi vengono impiegati per più tipi di applicazioni, le informazioni riportate possono riferirsi solo a determinate situazioni.

Se nel catalogo non sono riportati tutti i dati necessari, si prega di contattarci. Al fine di poter fornire una risposta esauriente potrà rendersi necessaria la richiesta di dati specifici riguardanti l'applicazione in questione.

Questo catalogo, pur essendo stato approntato con particolare riguardo alla precisione dei dati riportati, non consiste parte di alcun contratto espresso o implicito.

I dati di questo catalogo si riferiscono ai prodotti standard. La politica di HANSA-TMP consiste nel continuo sviluppo dei suoi prodotti. Per questo motivo ci riserviamo il diritto di modificarne le specifiche, quando necessario, e senza informazione preventiva.

*As HANSA-TMP has a very extensive range of products and some products have a variety of applications, the information supplied may often only apply to specific situations.*

*If the catalogue does not supply all the information required, please contact HANSA-TMP.  
In order to provide a comprehensive reply to queries we may require specific data regarding the proposed application.*

*Whilst every reasonable endeavour has been made to ensure accuracy, this publication cannot be considered to represent part of any contract, whether expressed or implied.*

*The data in this catalogue refer to the standard product. The policy of HANSA-TMP consists of a continuous improvement of its products. It reserves the right to change the specifications of the different products whenever necessary and without giving prior information.*



**HANSA-TMP S.r.l.**  
Via M. L. King, 6 – 41122 Modena (ITALY)  
Tel.: +39 059 415 711  
Fax: +39 059 415 730  
E-mail: [hansatmp@hansatmp.it](mailto:hansatmp@hansatmp.it)  
Website: [www.hansatmp.it](http://www.hansatmp.it)

Certified Company  
ISO 9001:2015 – ISO 14001:2015



Share Capital: € 300.000,00  
VAT Number: IT01167360369  
REA Number: MO-225785