



HANSA-TMP

MANUFACTURING YOUR SUCCESS

HT 18 / C / 203 / 0621 / E

Three-Speed Radial Piston Staffa Motors

Kawasaki

Hydraulic Products

HMF

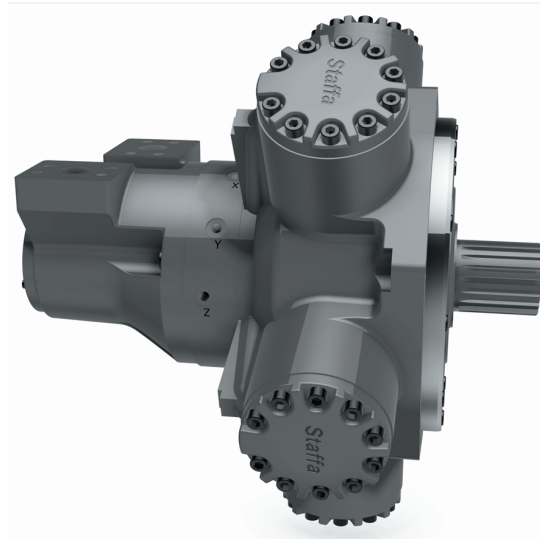


CONTENTS

Specifications and Features	4
1. Ordering Code	
1-1. Model Coding	5 - 6
1-2. Shaft Options	7
1-3. Main Port Connection Options	8
1-4. Special Features	9 - 22
2. Technical Information	
2-1. Performance Data	23 - 28
2-2. Volumetric Efficiency Data	29
2-3. Shaft Power Calculations	30
2-4. Functional Symbols	31
2-5. Shaft Stress Limits	32
2-6. Bearing Life Notes	33
2-7. Circuit and Application Notes	34 - 36
2-8. Motor Operation at Low Temperatures	37
2-9. Crankcase Drain Connections	38
2-10. Freewheeling Notes	39
2-11. Installation Data	40
3. Dimensions	
3-1. HMF100 Installation	41 - 46
3-2. HM(HD)F200 Installation	47 - 53
3-3. HM(HD)F270 Installation	54 - 59
3-4. HM(HD)F325 Installation	60 - 65
3-5. Speed Sensing Options	66

HMF Series

Three-Speed Staffa Motor



■ General Descriptions

The HMF series three-speed models have three pre-set displacements which can be chosen from a wide range to suit specific application requirements. The displacement are hydraulically selected using remotely mounted directional control valves. Motor displacement can be changed with ease while the motor is running.

The range of three speed motors extends from the HMF100 in 1,524 cc/rev to the HMF325 in 5,326 cc/rev.

There are four frame sizes as shown in the table below:

Motor Type	Max torque @ 275 bar (Nm)	Continuous shaft power
HMF100	6,325	138
HMF200	12,820	174
HMF270	19,090	189
HMF325	22,110	189

“Staffa” high torque, low speed radial piston motors use hydrostatic balancing techniques to achieve high efficiency, combined with good breakout torque and smooth running capability.

■ Features

3 displacement modes

Freewheel options available

High torque at low speed

Smooth running

Wide range of displacements to suit specific applications

Displacement changes with ease when the motor is running

Speed sensing options

1 Ordering Code

1-1 Model Coding

F11/HMF270 / S3 V/280/140/00/FM4/X/Tj/10/P*****

Fluid Type

(refer to page 23 for performance data)

Blank	Mineral oil
F3	Phosphate ester (HFD fluid)
F11	Water based fluids (HFA, HFB & HFC)
Alternative fluids contact Tech. Dept.	

Model Type

HM	Standard
HMHD	Heavy duty

Motor Frame Size

F100	F270
F200	F325

Shaft Type

See shaft type option list on Page 7

Shaft Orientation

Blank	Standard orientation
V	Vertically Up (extra drain)

High Displacement Code

See displacement code details on pages 24 to 28

Medium Displacement Code

See displacement code details on pages 24 to 28

Low Displacement Code

See displacement code details on pages 24 to 28

Special Features

P*****	Special features (see options on page 9)
PL***	Non-catalogued features, (***) = number assigned by our Tech. Dept. as required.

Design Series Number

10	Current series for HMF motors
----	-------------------------------

Tacho Encoder Drive

Blank	None
Tj	Square wave output with directional signal
Tk	Combines Tj with the T401 instrument to give a 4 to 20 mA output proportional to speed. Directional signal and speed relay output.

Displacement Control Ports

Threaded ports/bi-directional rotation	
X	X, Y and Z ports G 1/4" (BSPF to ISO 228/1)

Main Port Connections

###	See port connection details on pages 8
-----	--

1-1 Model Coding

◆ Special Features Suffix

/ P * * * * *

Shaft Seal Enhancements

A	High pressure shaft seal
B	Improved shaft seal life
C	High pressure shaft seal & improved shaft seal life
O	None

External Protection

A	Anti-pooling bolt heads
B	Marine-specification primer paint
C	Anti-pooling bolt heads & Marine-specification primer paint
O	None

Installation Features

A	Drain port adaptor x 1
B	Drain port adaptor x 2
C	Φ21 mm mounting holes
D	Φ22 mm mounting holes
E	Φ21 mm mounting holes & Drain port adaptor x 1
F	Φ21 mm mounting holes & Drain port adaptor x 2
G	Φ22 mm mounting holes & Drain port adaptor x 1
H	Φ22 mm mounting holes & Drain port adaptor x 2
O	None

Valve Enhancements

A	Improved cavitation resistance
B	Anti-clockwise
C	Thermal shock resistance
D	Improved cavitation resistance & anti-clockwise
E	Improved cavitation resistance & thermal shock resistance
F	Anti-clockwise & thermal shock resistance
G	Improved cavitation resistance & anti-clockwise & thermal shock resistance
O	None

Performance Enhancements

A	Increased starting torque
B	Increased power rating
C	Increased starting torque & increased power rating
O	None

1-2 Shaft Options

◆ Product type

HMF100

P	=	Parallel keyed 60mm diameter shaft
S	=	Splined shaft 14 teeth BS3550
Z	=	Splined shaft DIN5480 (W70x3x22x7h)
T	=	Long taper keyed shaft - 95.2 key slot

HMF200

P1	=	Parallel keyed 85mm diameter shaft
S3	=	Splined shaft 20 teeth BS3550
S4	=	Splined shaft 16 teeth BS3550
Z3	=	Splined shaft DIN5480 (W85x3x27x7h)
T	=	Long taper keyed shaft - 133.4 key slot

HMHDF200

P2	=	Parallel keyed 100mm diameter shaft
S5	=	Splined shaft 23 teeth BS3550
Z5	=	Splined shaft DIN5480 (W100x4x24x7h)

HMF270

P1	=	Parallel keyed 85mm diameter shaft
S3	=	Splined shaft 20 teeth BS3550
Z4	=	Splined shaft DIN5480 (W90x4x21x7h)
T	=	Long taper keyed shaft - 133.4 key slot

HMHDF270

P2	=	Parallel keyed 100mm diameter shaft
S5	=	Splined shaft 23 teeth BS3550
Z	=	Splined shaft DIN5480 (W100x4x24x7h)

HMF325

P1	=	Parallel keyed 85mm diameter shaft
S3	=	Splined shaft 20 teeth BS3550
Z4	=	Splined shaft DIN5480 (W90x4x21x7h)
T	=	Long taper keyed shaft - 133.4 key slot

HMHDF325

P2	=	Parallel keyed 100mm diameter shaft
S5	=	Splined shaft 23 teeth BS3550
Z	=	Splined shaft DIN5480 (W100x4x24x7h)

Note:

For installations where the shaft is vertically upwards specify "V" after the shaft type designator so as to ensure that an additional high level drain port is provided within the front cover of the motor.

1-3 Main Port Connections

◆ Product type

HMF100

SM3	=	1¼" symmetrical ports with through-holes for manifold connection
F3	=	1¼" SAE 4-bolt flange
FM3	=	1¼" SAE 4-bolt flange
F4	=	SAE 1½" 4-bolt UNC flanges
FM4	=	SAE 1½" 4-bolt metric flanges

HMF200

SM3	=	1¼" symmetrical ports with through-holes for manifold connection
F3	=	1¼" SAE code 61 4-bolt flange
FM3	=	1¼" SAE code 61 4-bolt flange
F4	=	SAE 1½" 4-bolt UNC flanges
FM4	=	SAE 1½" 4-bolt metric flanges

HMF270

F4	=	1½" SAE code 62 4-bolt flange
FM4	=	1½" SAE code 62 4-bolt flange

HMF325

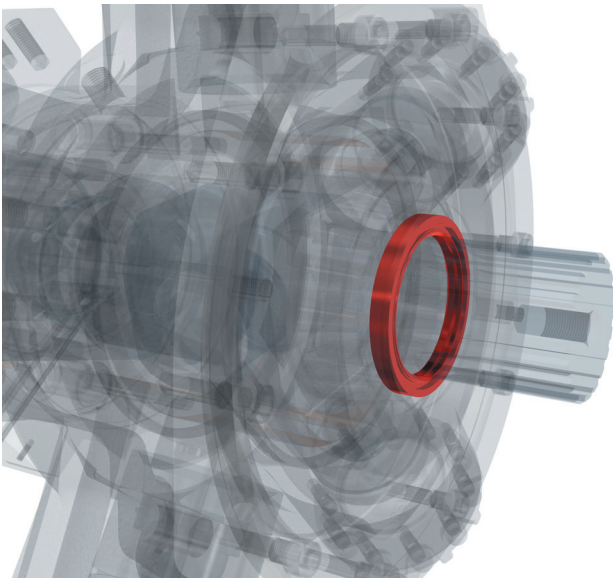
F4	=	1½" SAE code 62 4-bolt flange
FM4	=	1½" SAE code 62 4-bolt flange

See pages 41 to 65 for full dimensional details

1-4 Special Features

The HMF motor can be ordered with special features which can improve the motor's performance for different applications. Further details about each feature are given on pages 9-22.

◆ High Pressure Shaft Seal



Description:

- > 10 bar rated
- > Recommended for cold climates
- > Rugged aluminium construction

Technical Information

Where crankcase pressure will be higher than 3.5 bar, the high pressure shaft seal should be selected.

Case pressure	≤ 10 bar
Non-operating temperature limits	Below -30°C and above 120°C
Minimum operating temperature	-15°C
Maximum operating temperature	80°C
Minimum viscosity	2,000 cSt
Maximum viscosity	150 cSt

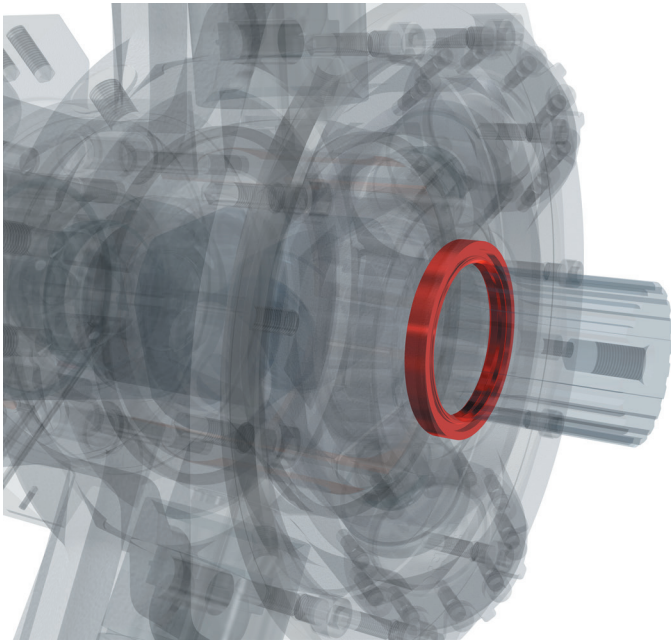
Applicable to:

HMF100	HM(HD)F200	HM(HD)F270	HM(HD)F325
●	●	●	●

Please contact our Tech. Dept. to order this feature.

1-4 Special Features

◆ Improved Shaft Seal Life



Description:

- > Stainless steel sleeve prevents corrosion
- > Improved wear resistance
- > Recommended for corrosive environments

Technical Information

A well-established method of increasing rotary seal life in corrosive environments is to fit a thin-walled, stainless steel sleeve to the rotating shaft to provide a corrosion-resistant, wear-resistant counterface surface for the seal to run against. All HMF motors can be fitted with such sleeves upon request.

Sleeve material	A304 Stainless Steel
Sleeve surface finish	R _a 0.25 to 0.5 μm (10 to 20 μin)

Applicable to:

HMF100	HM(HD)F200	HM(HD)F270	HM(HD)F325
●	●	●	●

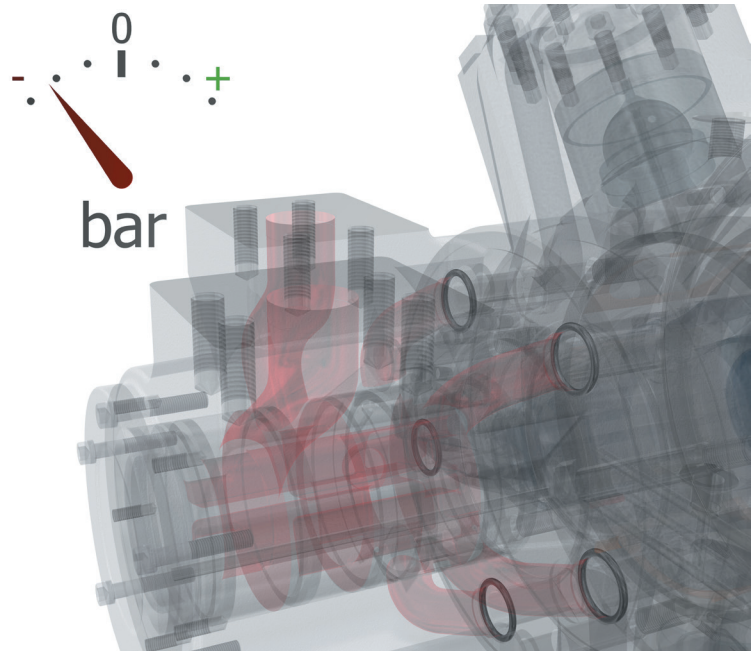
Please contact our Tech. Dept. to order this feature.

1-4 Special Features

◆ Improved Cavitation Resistance

Description:

- > Recommended for overrunning applications
- > Protects against seal damage for short periods of operation in vacuum inlet conditions.



Cavitation can occur due to many different factors. Although it is not possible to make the HMF motor resistant to cavitation, certain features can be added to improve the motor's resistance to short periods of lost port pressure.

In applications where the HMF motor can be driven (like a pump) a risk arises that insufficient fluid will be provided to maintain a positive pressure at both main ports of the motor causing cavitation. The results of extended running at these conditions can be catastrophic to the motor's function.

The improved cavitation resistance feature should be considered where:

- Overrunning conditions may occur (load driving the motor)
- Loss of main port pressure while motor is rotating

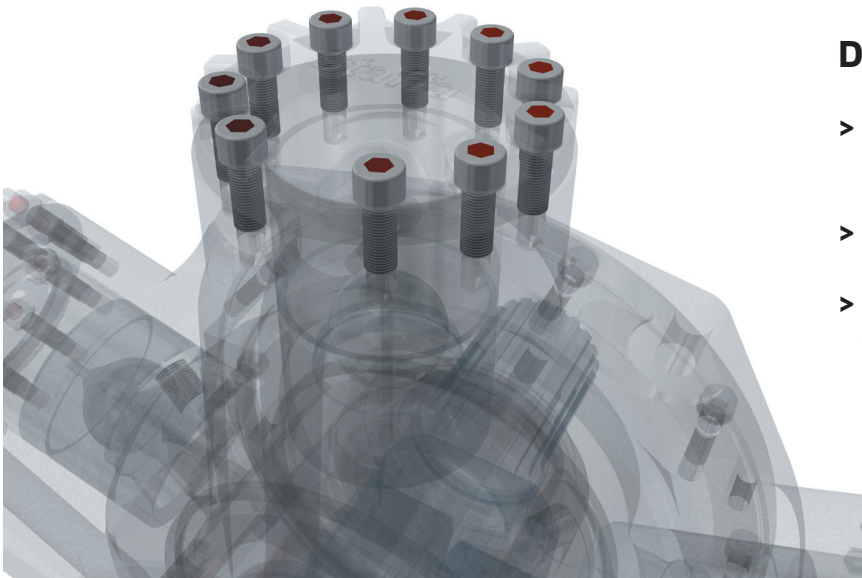
Applicable to:

HMF100	HM(HD)F200	HM(HD)F270	HM(HD)F325
●	●	●	●

Please contact our Tech. Dept. to order this feature.

1-4 Special Features

◆ Anti-Pooling Bolt Heads



Description:

- > Removes potential for water pooling
- > Improved corrosion resistance
- > Recommended for marine environments

Technical Information

In many marine applications, water pooling in socket head cap screw heads presents a significant corrosion risk. Corroded cap screws can make service and repair of affected units impossible.

To significantly reduce the risk of water damage through pooling, HMF motors can be supplied with silicone filler in all the bolt heads.

Applicable to:

HMF100	HM(HD)F200	HM(HD)F270	HM(HD)F325
●	●	●	●

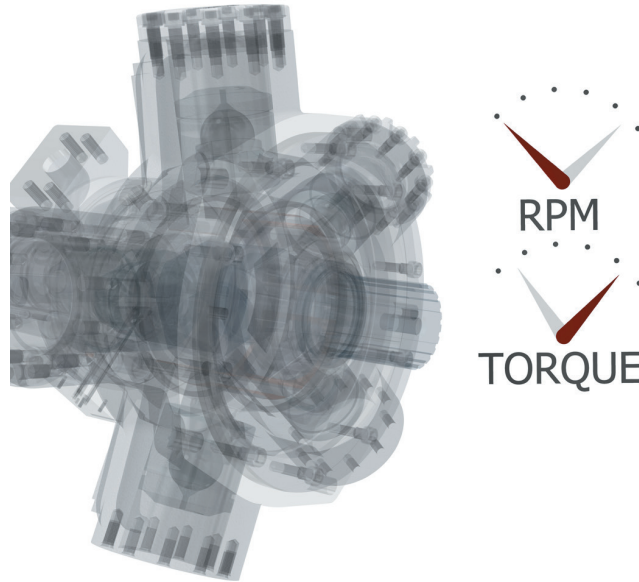
Please contact our Tech. Dept. to order this feature.

1-4 Special Features

◆ Increased Starting Torque

Description:

- > Optimised for high break-out torque
- > Recommended for low speed operation
- > Improved service life for low speed applications

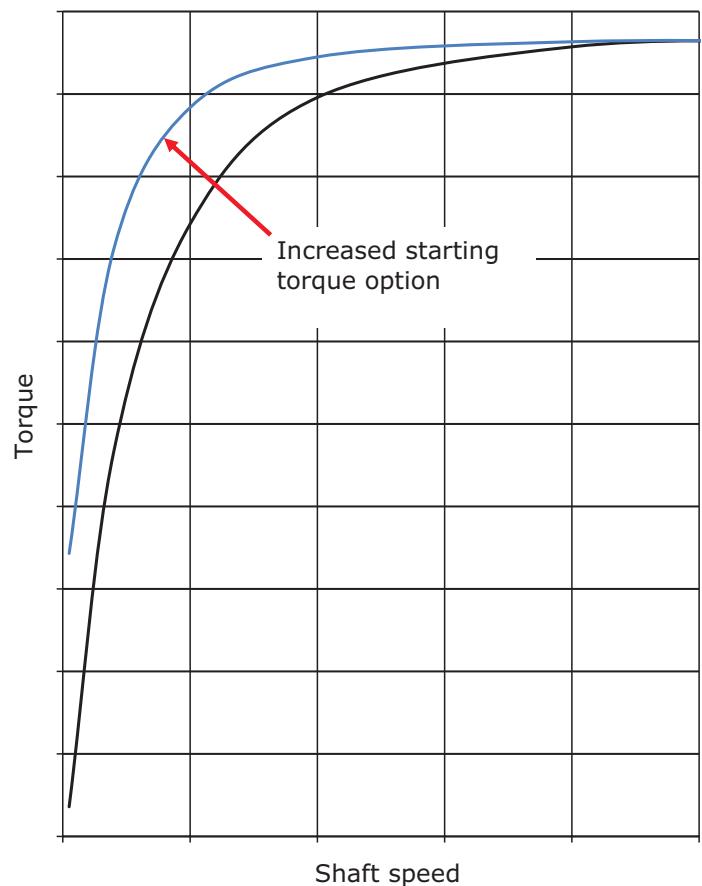


Technical Information

If an application demands the drive motor be run at speeds of less than 10 rpm for most of the duty cycle, or involves frequent start/stop or forward/reverse operation, the Staffa HMF motor range has it covered.

By optimising the HMF motor's design for low speeds, it is possible to increase the break out torque and low speed mechanical efficiency performance.

All figures given in Section 2-1 Performance Data are still valid when selecting this feature.



1-4 Special Features

◆◆ Increased Starting Torque (cont)

Volumetric Performance

In order to achieve increased torque at low speeds the volumetric characteristics of the motor performance are changed.

When calculating leakage and volumetric efficiency use the constants shown here in place of those given for the standard motor on page 29.

Motor Type	Geometric Displacement	Zero Speed Constant	Speed Constant	Creep Speed Constant	Crankcase Leakage Constant
	cc/rev	K1	K2	K3	K4
HMF100	1,524	16.26	45.70	9.65	14.66
HM(HD)F200	3,084	12.86	38.50	3.02	11.01
HM(HD)F270	4,588	13.26	37.30	2.41	12.76
HM(HD)F325	5,326	13.26	40.00	2.08	12.76

Applicable to:

HMF100	HM(HD)F200	HM(HD)F270	HM(HD)F325
●	●	●	●

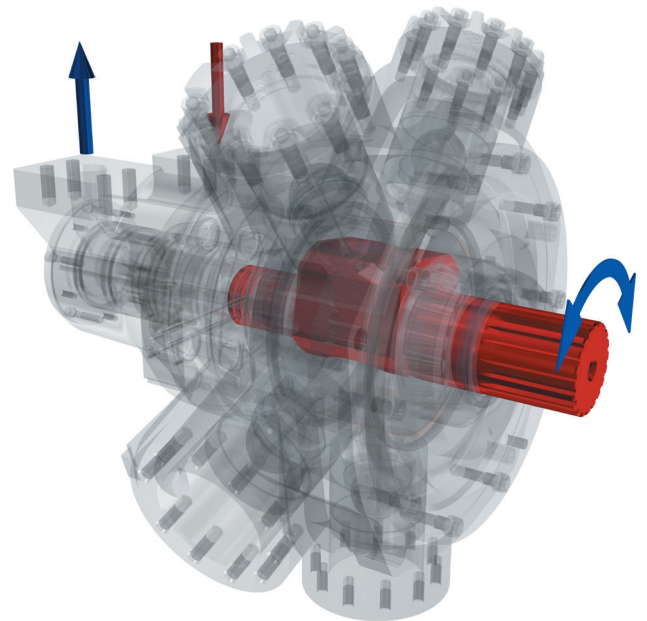
Please contact our Tech. Dept. to order this feature.

1-4 Special Features

◆ Anti-Clockwise Rotation

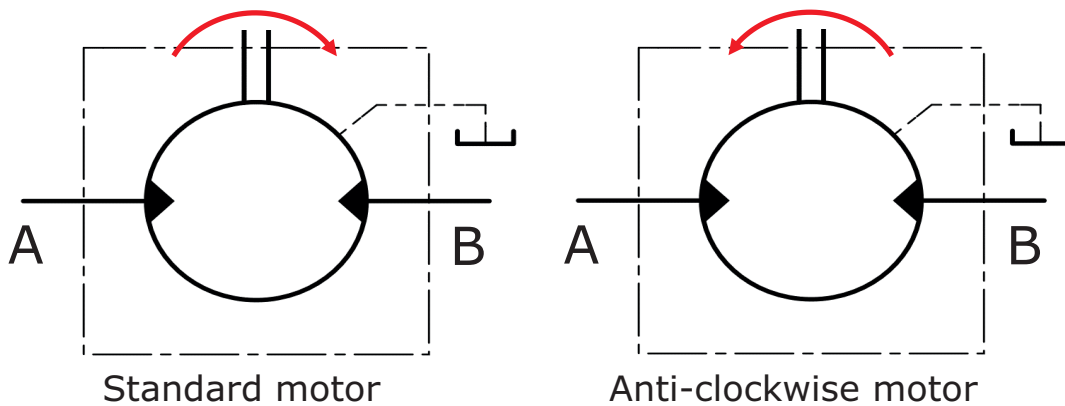
Description:

- > Reduce installation complexity
- > Standardise equipment designs



Technical Information

All HMF motors can be specified with an anti-clockwise rotation valve configuration. All performance and volumetric characteristics remain unchanged.



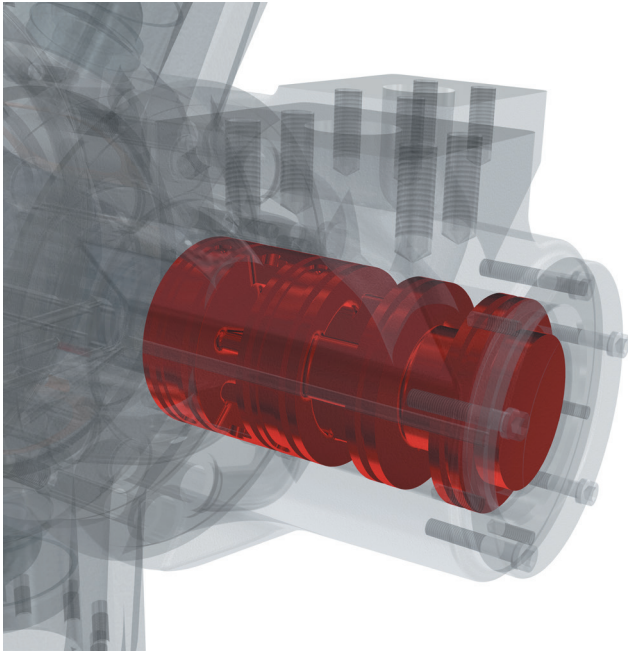
Applicable to:

HMF100	HM(HD)F200	HM(HD)F270	HM(HD)F325
●	●	●	●

Please contact our Tech. Dept. to order this feature.

1-4 Special Features

◆ Thermal Shock Resistance



Description:

- > Recommended for cold climates
- > Optimised for start-up in freezing temperatures
- > Engineered for total peace of mind

Technical Information

Starting up a cold motor with warm hydraulic fluid is a known cause of heavy wear and potential seizure of hydraulic machinery. To minimise this potential risk, the HMF motor can be configured to combat thermal shocks to give complete peace of mind when operating in very cold climates.

Volumetric Performance

In order to provide thermal shock resistance the volumetric characteristics of the motor performance are changed. When calculating leakage and volumetric efficiency use the constants shown on the next page in place of those given for the standard motor on page 29.

All figures given in Section 2-1 Performance Data are still valid when selecting this feature.

Note:

When operating at low temperature, consideration must be given to the guidance notes in Section 2-8 Motor Operation at Low Temperature (see page 37).

1-4 Special Features

◆ Thermal Shock Resistance (cont)

Motor Type	Geometric Displacement	Zero Speed Constant	Speed Constant	Creep Speed Constant	Crankcase Leakage Constant
	cc/rev	K1	K2	K3	K4
HMF100	1,524	11.10	45.70	6.99	7.90
HM(HD)F200	3,087	7.98	38.50	2.61	4.25
HM(HD)F270	4,588	8.38	37.30	1.91	6.00
HM(HD)F325	5,326	8.38	40.00	1.65	6.00

Applicable to:

HMF100	HM(HD)F200	HM(HD)F270	HM(HD)F325
●	●	●	●

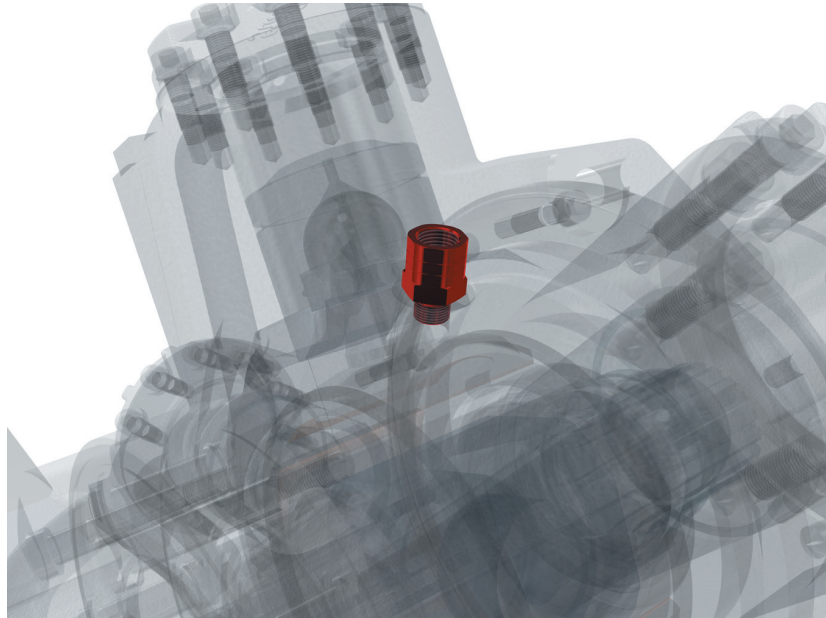
Please contact our Tech. Dept. to order this feature.

1-4 Special Features

◆ Drain Port Adaptors

Description:

- > Improves manufacturing logistics
- > Motor supplied ready for connection to 1½" BSPP male fitting



Technical Information

Motor Type	Adaptor Supplied
HMF100	¾" UNF 2B to ½" BSPP
HM(HD)F200	¾" UNF 2B to ½" BSPP
HM(HD)F270	¾" UNF 2B to ½" BSPP
HM(HD)F325	¾" UNF 2B to ½" BSPP

One or two drain adaptors can be supplied.

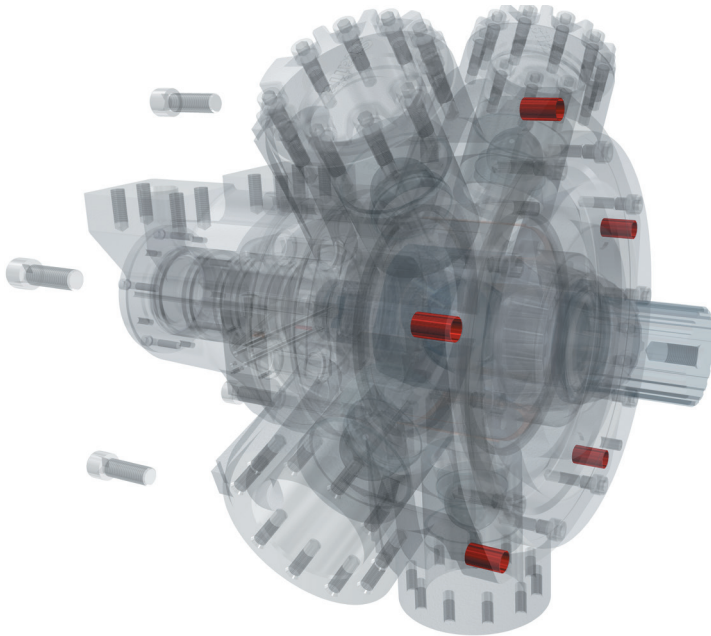
Applicable to:

HMF100	HM(HD)F200	HM(HD)F270	HM(HD)F325
●	●	●	●

Please contact our Tech. Dept. to order this feature.

1-4 Special Features

◆ Mounting Hole Diameter



Description:

- > Matching mounting holes to bolts
- > $\Phi 21$ mm and $\Phi 22$ mm options available

Technical Information

In different markets, different bolt standards are adopted which may not be best suited to the standard $\Phi 20$ mm mounting hole diameter on the HMF motors. To give a correct fit and optimum installation, $\Phi 21$ mm or $\Phi 22$ mm holes can be selected on all frame sizes.



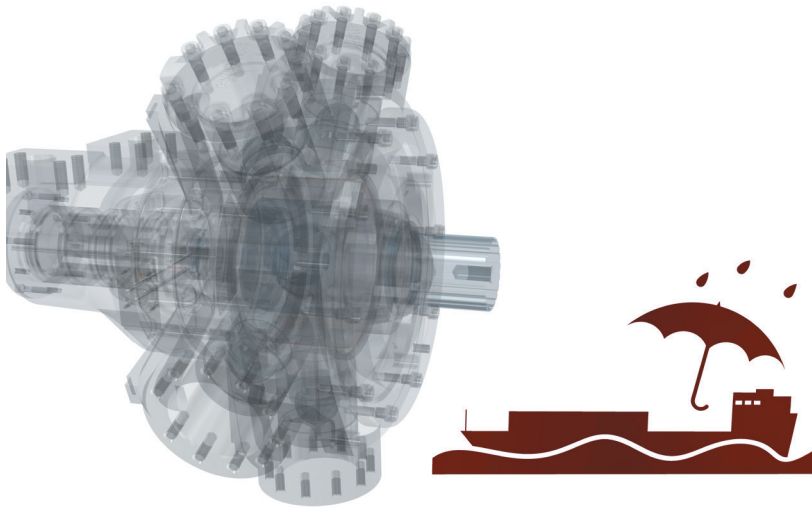
Applicable to:

HMF100	HM(HD)F200	HM(HD)F270	HM(HD)F325
●	●	●	●

Please contact our Tech. Dept. to order this feature.

1-4 Special Features

◆ Marine Specification Primer Paint



Description:

- > Improves corrosion and water resistance of the finishing system
- > Excellent adhesion strength
- > Recommended for marine applications

Technical Information

Colour	Red oxide
Type	Single pack epoxy etching primer
Standard	BS 3900 part A 8
Dry film thickness	> 12 µm

Applicable to:

HMF100	HM(HD)F200	HM(HD)F270	HM(HD)F325
●	●	●	●

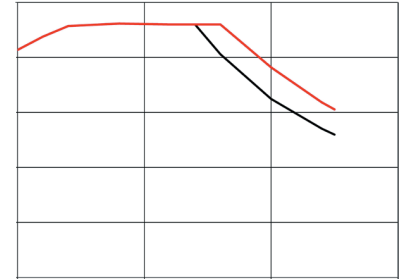
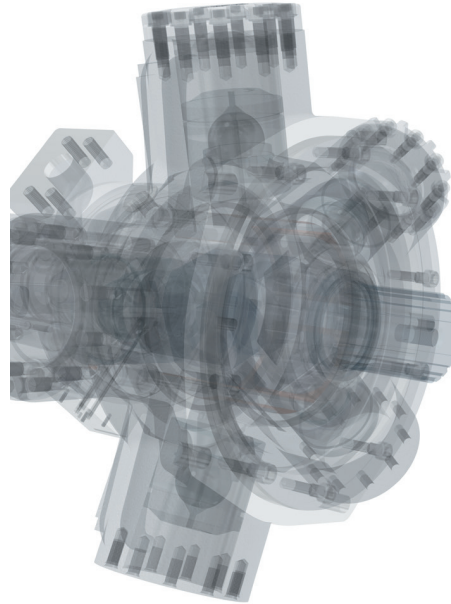
Please contact our Tech. Dept. to order this feature.

1-4 Special Features

◆ High Power

Description:

- > Enhanced power performance
- > Improved efficiency
- > Improved back pressure rating of 100 bar

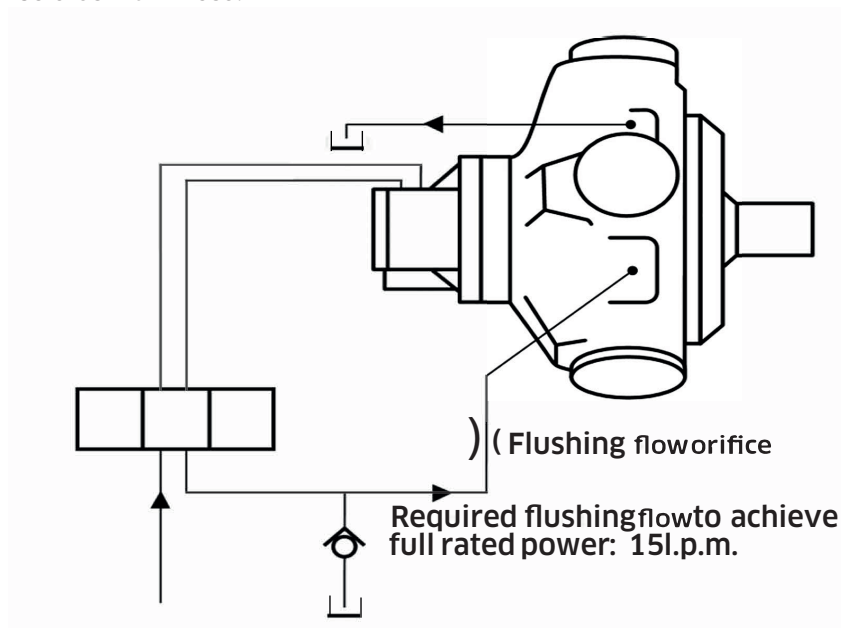


Technical Information

The high power option for the HMF motors combines special low-friction components and a crankcase flushing flow to achieve increased shaft power limits. All other performance parameters are unchanged.

Crankcase Flushing

In order to achieve the maximum shaft power, a crankcase flushing flow of 15 l/min should be directed through the crankcase. To improve the cooling effect of the flushing flow the distance between the inlet and outlet drain port connections should be maximised.



1-4 Special Features

◆ High Power (cont)

Check valve pressure (bar)*	Orifice diameter (mm)
3	4.4
4	4.1
5	3.9
6	3.7
7	3.6
8	3.5
9	3.4
10	3.3

*This assumes that the crankcase pressure is zero. If not, then the check valve pressure will need to be increased to maintain the pressure drop across the orifice.

Note:

If, due to crankcase flushing flow, the crankcase pressure continuously exceeds 3.5 bar, then the motor build should include a high pressure shaft seal.

Performance Data (crankcase flushing required):

Motor Type	Max. continuous output (kW)	Average actual running torque (Nm/bar)
HMF100	165	24.1
HM(HD)F200 FM3/SM3 valve assembly	216	47.2
HM(HD)F200 FM4 valve assembly	261	47.2
HM(HD)F270	278	70.1
HM(HD)F325	278	81.6

Note:

The speed limits and pressure limits remain unchanged from the standard motor.

Applicable to:

HMF100	HM(HD)F200	HM(HD)F270	HM(HD)F325
●	●	●	●

Please contact our Tech. Dept. to order this feature.

2 Technical Information

2-1 Performance Data

Performance data is valid for the range of HMF motors when fully run-in and operating with mineral oil.

The appropriate motor displacements can be selected using performance data shown on pages 24 to 28. Refer to the table on this page for pressures and speed limits when using re-resistant fluids.

◆ Limits for fire resistant fluids

Fluid Type	Continuous Pressure (bar)	Intermittent Pressure (bar)	Max Speed (rpm)	Model Type
HFA 5/95 oil-in-water emulsion	103	138	50% of limits of mineral oil	All models
HFB 60/40 water-in-oil emulsion	138	172	As for mineral oil	All models
HFC water glycol	103	138	50% of limits of mineral oil	All models
HFD phosphate ester	250	275	As for mineral oil	All models

Specify make and type of fluid on your order if other than mineral oil.

◆ Rating definitions

Continuous rating

The motor must be operated within each of the maximum values for speed, pressure and power.

Intermittent rating

Intermittent max pressure: 275 bar.

This pressure is allowable on the following basis:

- a) Up to 50rpm 15% duty for periods up to 5 minutes maximum.
- b) Over 50 rpm 2% duty for periods up to 30 seconds maximum.

Static Pressure

Static pressure to DNV rules 405 bar.

Intermittent power rating

This is permitted on a 15% duty basis for periods up to 5 minutes maximum.

2-1 Performance Data (cont)

◆ Available displacements

When selecting displacement modes on the HMF motors, there is an important rule that must be followed: due to physical constraints there is a minimum achievable difference between the medium and low displacement modes which varies across the frame sizes as shown in the table below:

Motor Type	Minimum allowable difference between medium and low displacements	
	cc/rev	in ³ /rev
HMF100	655	40
HMF200	1,230	75
HMF270	1,720	105
HMF325	1,720	105

Minimum allowable medium displacement = low displacement + table value

Examples:

For HMF270 with 280 in³/rev. (4,588 cc/rev.) maximum displacement and 00 in³/rev. minimum displacement, the medium displacement must be above 105 in³/rev. (1,720 cc/rev).

$$\begin{array}{l} \text{Minimum allowable} \\ \text{medium displacement} \end{array} = 0 + 105 = 105 \text{ in}^3/\text{rev} (1,720 \text{ cc/rev})$$

For HMF200 with 188 in³/rev. (3,087 cc/rev.) maximum displacement and 40 in³/rev. (655 cc/rev.) minimum displacement, the medium displacement must be above 115 in³/rev. (1,885 cc/rev).

$$\begin{array}{l} \text{Minimum allowable} \\ \text{medium displacement} \end{array} = 40 + 75 = 115 \text{ in}^3/\text{rev} (1,885 \text{ cc/rev})$$

2-1 Performance Data (cont)

◆ HMF100 Motor (see page 30 for power calculation limits)

Displacement Code		93	90	85	80	75	70	65	60	55	50
Displacement	cc/rev	1,524	1,475	1,393	1,311	1,229	1,147	1,065	983	901	819
Average actual running torque	Nm/bar	23.00	22.00	20.75	19.50	18.25	17.02	15.78	14.55	13.20	12.00
Average actual mechanical efficiency	%	93.8	93.7	93.6	93.5	93.3	93.2	93.1	93.0	92.6	92.1
Average actual starting efficiency	%	86.5	86.0	85.2	84.3	83.3	82.1	80.8	79.2	77.4	75.1
Max continuous speed (SM3/F3/FM3)	rpm	285	300	320	340	365	390	420	450	475	500
Max continuous speed (F4/FM4)	rpm	380	400	415	430	445	460	475	490	500	515
Max continuous power	kW	138	138	134	129	127	123	118	115	110	105
Max intermittent power	kW	170	170	165	159	156	151	145	142	135	129
Max continuous pressure	bar	250	250	250	250	250	250	250	250	250	250
Max intermittent pressure	bar	275	275	275	275	275	275	275	275	275	275

Displacement Code		45	40	35	30	25	20	15	10	5	00	00
Displacement	cc/rev	737	655	574	492	410	328	246	164	82	0	0
Average actual running torque	Nm/bar	10.60	9.24	7.87	6.48	5.31	3.93	2.56	1.57	0	0	0
Average actual mechanical efficiency	%	90.4	88.6	86.1	82.8	81.4	75.3	65.4	60.2	0	0	0
Average actual starting efficiency	%	72.4	69.0	64.4	58.6	50.3	38.0	17.5	/	/	/	/
Max continuous speed (SM3/F3/FM3)	rpm	550	600	615	630	630	630	630	630	1,000	1,000	1,500**
Max continuous speed (F4/FM4)	rpm	530	545	560	575	585	600	615	630	1,000	1,000	1,500**
Max continuous power	kW	99	92	79	64	52	38	26	12	0	0	0
Max intermittent power	kW	122	113	97	79	64	47	32	15	0	0	0
Max continuous pressure	bar	250	250	250	250	250	250	250	250	17*	17*	17*
Max intermittent pressure	bar	275	275	275	275	275	275	275	275	17*	17*	17*

Data shown is at 250 bar. Intermediate displacements can be made available to special order.

*See page 34: small displacements.

**A crankcase flushing flow of 15 l/min is required when freewheeling at 1,500 rpm.

2-1 Performance Data (cont)

◆ **HMF200 Motor** (see page 30 for power calculation limits)

Displacement Code		188	180	170	160	150	140	130	120	110	100	90
Displacement	cc/rev	3,087	2,950	2,790	2,620	2,460	2,290	2,130	1,970	1,800	1,639	1,475
Average actual running torque	Nm/bar	46.6	44.0	41.7	39.1	36.6	34.0	31.3	28.7	26.3	23.6	21.0
Average actual mechanical efficiency	%	94.8	93.7	93.9	93.8	93.5	93.3	92.3	91.5	91.8	90.5	89.5
Average actual starting efficiency	%	85.4	84.9	83.9	83.1	81.8	80.7	79.1	77.2	75.4	72.8	69.8
Max continuous speed (SM3/F3/FM3)	rpm	175	180	190	195	200	205	210	225	240	270	300
Max continuous speed (F4/FM4)	rpm	230	235	240	245	250	265	285	310	340	365	400
Max continuous power	kW	174	174	174	165	156	148	139	131	122	114	105
Max intermittent power	kW	195	195	195	185	175	166	156	147	137	128	118
Max continuous pressure	bar	250	250	250	250	250	250	250	250	250	250	250
Max intermittent pressure	bar	275	275	275	275	275	275	275	275	275	275	275

Displacement Code		80	70	60	50	40	30	20	10	5	00	00
Displacement	cc/rev	1,311	1,150	983	820	655	492	328	164	82	0	0
Average actual running torque	Nm/bar	18.3	15.7	12.8	10.6	8.1	5.9	3.8	0.6	0	0	0
Average actual mechanical efficiency	%	87.7	85.8	81.8	81.2	77.7	75.3	72.8	23.0	0	0	0
Average actual starting efficiency	%	66.1	61.1	54.8	45.7	32.1	/	/	/	/	/	/
Max continuous speed (SM3/F3/FM3)	rpm	340	390	450	500	600	630	630	630	1,000	1,000	1,500**
Max continuous speed (F4/FM4)	rpm	430	460	485	515	545	575	600	630	1,000	1,000	1,500**
Max continuous power	kW	98	88	81	72	62	48	25	5	0	0	0
Max intermittent power	kW	110	99	91	81	70	54	33	6	0	0	0
Max continuous pressure	bar	250	250	250	250	250	250	250	250	17*	17*	17*
Max intermittent pressure	bar	275	275	275	275	275	275	275	275	17*	17*	17*

Data shown is at 250 bar. Intermediate displacements can be made available to special order.

*See page 34: small displacements.

**A crankcase flushing flow of 15 l/min is required when freewheeling at 1,500 rpm.

2-1 Performance Data (cont)

◆ HMF270 Motor (see page 30 for power calculation limits)

Displacement Code		280	250	220	200	180	160	140	120	100
Displacement	cc/rev	4,588	4,097	3,605	3,277	2,950	2,622	2,294	1,966	1,639
Average actual running torque	Nm/bar	69.4	61.9	53.9	49.0	43.6	38.3	33.2	27.9	22.4
Average actual mechanical efficiency	%	95.0	94.9	93.9	94.0	92.9	91.8	90.9	89.2	85.9
Average actual starting efficiency	%	84.7	83.8	82.7	81.8	80.6	79.2	77.3	74.9	71.5
Max continuous speed	rpm	150	160	170	175	210	230	275	310	375
Max continuous power	kW	189	176	161	150	139	128	116	104	89
Max intermittent power	kW	213	198	181	169	156	144	132	120	107
Max continuous pressure	bar	250	250	250	250	250	250	250	250	250
Max intermittent pressure	bar	275	275	275	275	275	275	275	275	275

Displacement Code		80	60	40	30	20	10	00	00
Displacement	cc/rev	1,311	983	655	492	328	164	0	0
Average actual running torque	Nm/bar	17.1	12.2	7.9	5.2	2.4	0	0	0
Average actual mechanical efficiency	%	82.0	78.0	75.8	65.8	46.0	0	0	0
Average actual starting efficiency	%	66.3	57.8	40.7	23.5	/	/	/	/
Max continuous speed	rpm	430	460	490	515	545	1,000	1,000	1,500**
Max continuous power	kW	73	57	38	26	14	0	0	0
Max intermittent power	kW	95	80	55	38	20	0	0	0
Max continuous pressure	bar	250	250	250	250	250	17*	17*	17*
Max intermittent pressure	bar	275	275	275	275	275	17*	17*	17*

Data shown is at 250 bar. Intermediate displacements can be made available to special order.

*See page 34: small displacements.

**A crankcase flushing flow of 15 l/min is required when freewheeling at 1,500 rpm.

2-1 Performance Data (cont)

◆ HMF325 Motor (see page 30 for power calculation limits)

Displacement Code		325	310	300	280	250	220	200	180	160	140	120
Displacement	cc/rev	5,326	5,080	4,916	4,588	4,097	3,605	3,277	2,950	2,622	2,294	1,966
Average actual running torque	Nm/bar	80.4	76.6	74.1	69.1	61.6	53.9	49.0	43.6	38.3	33.2	27.9
Average actual mechanical efficiency	%	94.8	94.7	94.7	94.6	94.5	93.9	94.0	92.9	91.8	90.9	89.2
Average actual starting efficiency	%	85.7	85.4	85.2	84.7	83.8	82.7	81.8	80.6	79.2	77.3	74.9
Max continuous speed	rpm	130	135	140	150	160	170	190	215	230	275	330
Max continuous power	kW	189	189	189	189	176	161	150	139	128	116	104
Max intermittent power	kW	213	213	213	213	198	181	169	156	144	132	120
Max continuous pressure	bar	250	250	250	250	250	250	250	250	250	250	250
Max intermittent pressure	bar	275	275	275	275	275	275	275	275	275	275	275

Displacement Code		100	95	80	60	40	30	20	10	00	00
Displacement	cc/rev	1,639	1,557	1,311	983	655	492	328	164	0	0
Average actual running torque	Nm/bar	22.4	20.9	17.1	12.2	7.9	5.2	2.4	0	0	0
Average actual mechanical efficiency	%	85.9	84.3	82.0	78.0	75.8	65.8	46.0	0	0	0
Average actual starting efficiency	%	71.5	70.4	66.3	57.8	40.7	23.5	/	/	/	/
Max continuous speed	rpm	370	405	440	460	495	515	545	1,000	1,000	1,500**
Max continuous power	kW	89	85	73	57	38	26	14	0	0	0
Max intermittent power	kW	107	101	95	80	55	38	20	0	0	0
Max continuous pressure	bar	250	250	250	250	250	250	250	17*	17*	17*
Max intermittent pressure	bar	275	275	275	275	275	275	275	17*	17*	17*

Data shown is at 250 bar. Intermediate displacements can be made available to special order.

*See page 34: small displacements.

**A crankcase flushing flow of 15 l/min is required when freewheeling at 1,500 rpm.

2-2 Volumetric Efficiency Data

Motor Type	Geometric Displacement	Zero Speed Constant	Speed Constant	Creep Speed Constant	Crankcase Leakage Constant	Fluid Viscosity	Viscosity Factor
HMF	cc/rev	K₁	K₂	K₃	K₄	cSt	Kv
HMF100	1,524	9.50	45.70	5.80	7.90	20	1.58
HMF200	3,080	6.10	38.50	2.00	4.25	25	1.44
HMF270	4,310	6.50	37.30	1.50	6.00	30	1.30
HMF325	5,310	6.80	40.00	1.30	6.00	40	1.10
						50	1.00
						60	0.88

Qt (total leakage) = $[K_1 + n/K_2] \times \Delta P \times K_v \times 0.005$ l/min
Creep speed = $K_3 \times \Delta P \times K_v \times 0.005$ rpm
Crankcase leakage = $K_4 \times \Delta P \times K_v \times 0.005$ l/min
ΔP = differential pressure bar
n = speed rpm

The motor volumetric efficiency can be calculated as follows:

$$\text{Volumetric efficiency (\%)} = \left[\frac{(\text{speed} \times \text{disp.})}{(\text{speed} \times \text{disp.}) + Q_t} \right] \times 100$$

Example:

HMF200 motor with displacement of 3.087 l/rev.

Speed 60 rpm
Differential pressure 200 bar
Fluid viscosity 50 cSt

Total leakage = $(K_1 + n/K_2) \times \Delta P \times K_v \times 0.005$ l/min
 = $(6.1 + 60/38.5) \times 200 \times 1 \times 0.005$
 = 7.7 l/min

Volume efficiency = $\left[\frac{(60 \times 3.087)}{(60 \times 3.087) + 7.7} \right] \times 100$
 = 96%

2-3 Shaft Power Calculation

◆ Example:

HMF270 motor with a displacement code of 280:

Firstly, to find the maximum differential pressure ΔP at rated speed:

Rated shaft power (W):	189,000
Average actual running torque (Nm/bar):	69.4
Rated shaft speed (rpm):	150

$$189,000 = 69.4 \times \Delta P \times 150 \times 2 \times \pi / 60$$

$$\Delta P = 174 \text{ bar (max.)}$$

Secondly, to find the maximum speed at rated pressure:

Rated shaft power (W):	189,000
Average actual running torque (Nm/bar):	69.4
Rated pressure (bar):	250

$$189,000 = 69.4 \times \Delta P \times 250 \times 2 \times \pi / 60$$

$$n = 104 \text{ rpm (max.)}$$

In summary, operating the motor within its shaft power limit, at rated speed, would give a maximum pressure of 174 bar, and operating the motor at rated pressure, would give a maximum speed of 104 rpm.

Notes:

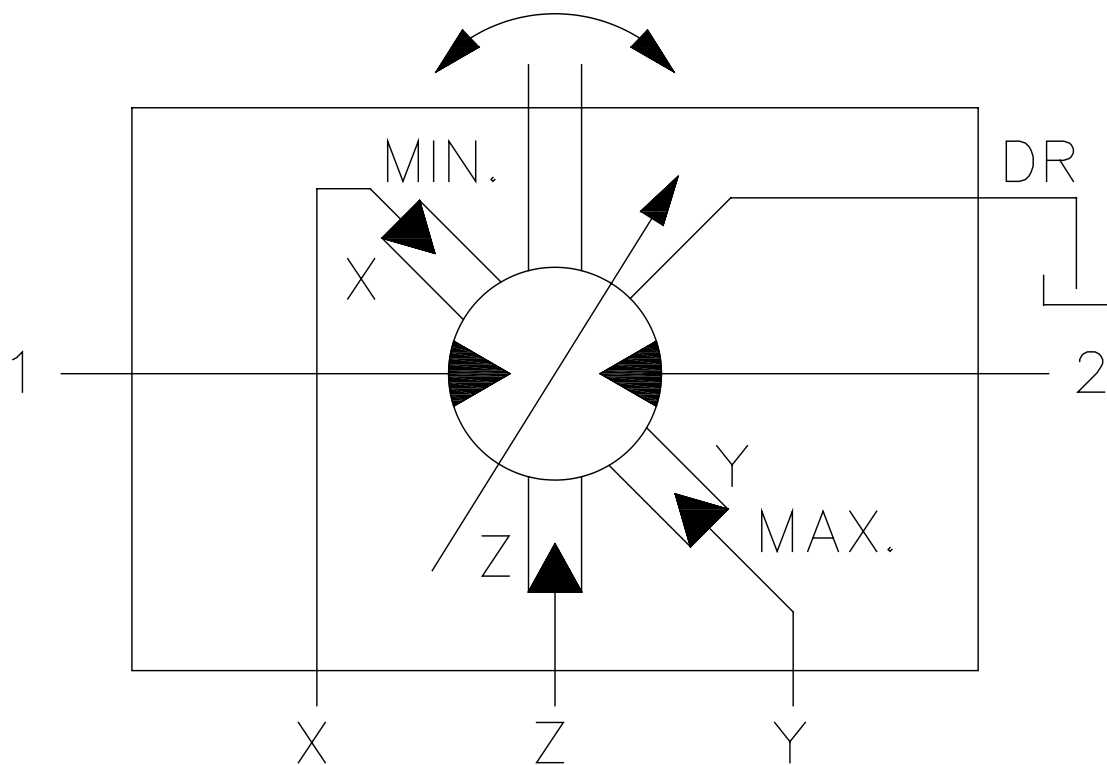
- 1) The maximum calculated speed is based on a rated inlet pressure of 250 bar.
- 2) The maximum shaft power is only allowable if the motor drain temperature remains below 80°C.
- 3) The maximum calculated differential pressure assumes that the low pressure motor port is less than 30 bar.

2-4 Functional Symbols

◆ Example model code:

HMF*/P/***/**/**/FM3/X/...**

X - external pilot supply to 'X' and 'Y' ports



2-5 Stress Limits

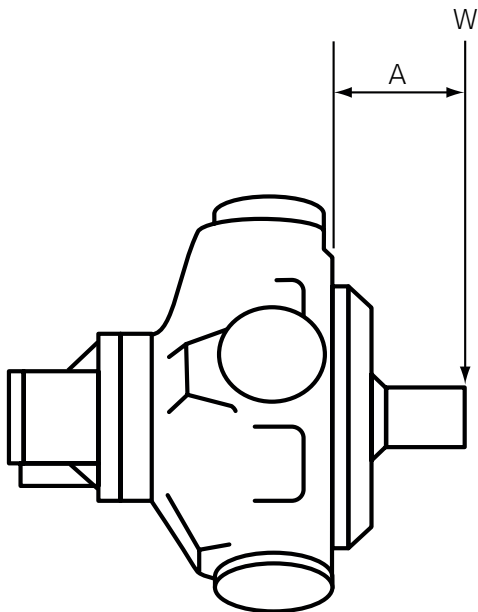
When applying large external radial loads, consideration should also be given to motor bearing lives (see page 33).

Motor Frame Size	Maximum External Radial Bending Moment [kNm]
HMF100	4,500
HMF200	6,750
HMF270	8,250
HMF325	8,250

Example:

Determine the maximum radial shaft load of a HMF motor:

Radial load offset, A = 100 mm
 Maximum radial load, W = 4,500 (see table)/100
 = **45kN (4,587 kg)**



A = Distance from mounting face to load centre (mm)

W = Side load (N)

[Note]

The offset distance A is assumed to be greater than 50 mm.
 Contact our Tech. Dept. if this is not the case.

2-6 Bearing Life Notes

Consideration should be given to the required motor bearing life in terms of bearing service life. The factors that will determine bearing life include:

- 1) Duty cycle - time spent on and off load**
- 2) Speed**
- 3) Differential pressure**
- 4) Fluid viscosity**
- 5) External radial shaft load**
- 6) External axial shaft load**

2-7 Circuit and Application Notes

◆ Limits for fire resistant fluids

To select either displacement, a pressure at least equal to 67% of the motor inlet/outlet pressure (whichever is higher) is required. In most applications the motor inlet pressure will be used. If the inlet/outlet pressure is below 3.5 bar, a minimum control pressure of 3.5 bar is required. In the event of loss of control pressure the motor will shift to its highest displacement.

◆ Starting torque

Refer to performance data, (see pages 23 to 28).

◆ Low speed operation

The minimum operating speed is determined by load inertia, drive elasticity, motor displacement and system internal leakage. If the application speed is below 3 rpm, then consult our Tech. Dept. If possible, always start the motor in high displacement.

◆ Small displacements

The pressures given in the table on pages 25 to 28 for displacement code "00" are based on 1,000 rpm output shaft speed. This pressure can be increased

for shaft speeds less than 1,000 rpm; consult our Tech. Dept. for details. Speeds greater than 1,000 rpm may be applied but only after the machine duty cycle has been considered in conjunction with our Tech. Dept. A zero swept volume displacement (for freewheeling requirements) is available on request, consult Tech. Dept.

◆ High back pressure

When both inlet and outlet ports are pressurised continuously, the lower pressure port must not exceed **70 bar** at any time. Note that high back pressure reduces the effective torque output of the motor.

◆ Boost pressure

When operating as a motor the outlet pressure should equal or exceed the crankcase pressure. If pumping occurs (i.e. overrunning loads) then a positive pressure, "P", is required at the motor ports. Calculate "P" (bar) from the boost formula:

$$P = 1 + \frac{N^2 \times V^2}{K} + C$$

Where P is in bar, N = motor speed (rpm), V = motor displacement (cc/rev), C=Crankcase pressure (bar).

Motor Frame Size	Porting	Constant (K)
HMF100	SM3	1.6 x 10 ¹⁶
	F(M)3	1.6 x 10 ¹⁰
	F(M)4	3.3 x 10 ¹⁰
HM(HD)F200	SM3	1.6 x 10 ¹⁰
	F(M)3	1.6 x 10 ¹⁰
	F(M)4	3.3 x 10 ¹⁰
HM(HD)F270 & HM(HD)F325	F(M)4	4.0 x 10 ¹⁰

2-7 Circuit and Application Notes (cont)

The flow rate of oil for the make-up system can be estimated from the crankcase leakage data (see page 29) plus an allowance for changing displacement:

e.g.

HMF100	To change high to low in 0.25 sec requires 32 l/min
HMF200	To change high to low in 0.5 sec requires 15 l/min
HMF270	To change high to low in 1 sec requires 24 l/min
HMF325	To change high to low in 1 sec requires 20 l/min

Allowances should be made for other systems losses and also for "fair wear and tear" during the life of the motor, pump and system components.

◆◆ Motorcase pressure

The motorcase pressure should not continuously exceed 3.5 bar with a standard shaft seal fitted. On installations with long drain lines a relief valve is recommended to prevent over-pressurising the seal.

Notes

- 1)** The motorcase pressure at all times must not exceed either the motor inlet or outlet pressure.
- 2)** High pressure shaft seals are available to special order for casing pressures of: 10 bar continuous and 15 bar intermittent.
- 3)** Check installation dimensions (pages 41 to 66) for maximum crankcase drain fitting depth.

◆◆ Motorcase pressure

Dependent on motor (see model code fluid type - page 5) suitable fluids include:

- a)** Antiwear hydraulic oils
- b)** Phosphate ester (HFD fluids)
- c)** Water glycols (HFC fluids)
- d)** 60/40% water-in-oil emulsions (HFB fluids)
- e)** 5/95% oil-in-water emulsions (HFA fluids)

Reduce pressure and speed limits, as per table on page 23.

Viscosity limits when using any fluid except oil-in-water (5/95) emulsions are:

- Max. off load: 2,000 cSt** (9270 SUS)
Max. on load: 150 cSt (695 SUS)
Optimum: 50 cSt (232 SUS)
Minimum: 25 cSt (119 SUS)

◆◆ Mineral oil recommendations

The fluid should be a good hydraulic grade, non-detergent mineral oil. It should contain anti-oxidant, antifoam and demulsifying additives. It must contain antiwear or EP additives. Automatic transmission fluids and motor oils are not recommended.

2-7 Circuit and Application Notes (cont)

◆ Temperature limits

Ambient min. -30°C

Ambient max. +70°C

Max. operating temperature range.

	Mineral oil	Water containing
Min	-20°C	+10°C
Max. *	+80°C	+54°C

* To obtain optimum services life from both fluid and hydraulic systems components, 65°C normally is the maximum temperature expected for water-containing fluids.

◆ Filtration

Full flow filtration (open circuit), or full boost flow filtration (close circuit) to ensure system cleanliness to ISO4406/1986 code 18/14 or cleaner.

◆ Noise levels

The airborne noise level is less than 66.7 dBA (DIN) through the “continuous” operating envelope. Where noise is a critical factor, installation resonances can be reduced by isolating the motor by elastomeric means from the structure and the return line installation. Potential return line resonance originating from liquid borne noise can be further attenuated by providing a return line back pressure of 2 to 5 bar.

◆ Polar moment of inertia and mass table

Typical data

Motor Frame Size	Displacement code	Polar Moment of Inertia (kg.m ²) (Typical)	Mass (kg) (Approx. all models)
HMF100	90	0.0520	172
	45	0.0440	
HMF200	188	0.2300	282
	75	0.1800	
HMF270	280	0.4900	450
	100	0.4700	
HMF325	325	0.5000	460
	100	0.4700	

◆ Mass

HMF100 Approx. all models 172 kg.

HMF200 Approx. all models 282 kg.

HMF270 Approx. all models 450 kg.

HMF325 Approx. all models 460 kg.

2-8 Motor Operation at Low Temperature

When operating the motor at low temperature consideration should be given to the fluid viscosity. The maximum fluid viscosity before the shaft should be turned is 2,000 cSt. The maximum fluid viscosity before load is applied to the motor shaft is 150 cSt.

If low ambient temperature conditions exist, then a crankcase flushing flow of at least 5 l/min should be applied to the motor during periods when the motor is not in use.

The shaft seal temperature limits for both medium and high pressure applications are shown in the table below.

	Non-operating temperature limits	Minimum operating temperature
Standard pressure shaft seal	below minus 40°C and above 100°C	minus 30°C
High pressure shaft seal	below minus 30°C and above 120°C	minus 15°C

All seals are very brittle below minus 40°C and are likely to break very easily and due to their sluggish response may not provide a 100% leak free condition.

It should be noted that the maximum continuous operating temperature within the motor crankcase is plus 80°C.

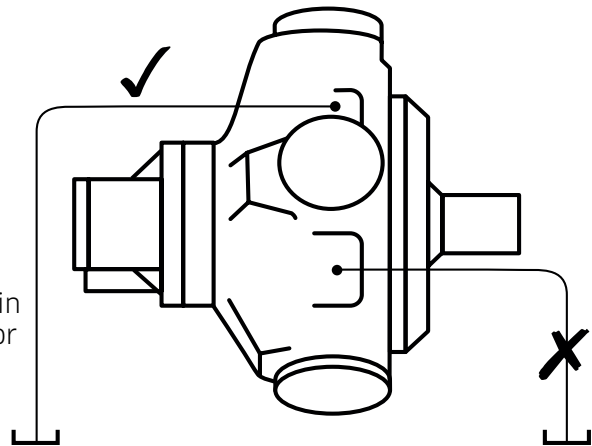
It is recommended that the motor is operated by observing the rule for viscosity and the minimum operating temperature.

2-9 Crankcase Drain Connections

◆ Motor axis - horizontal

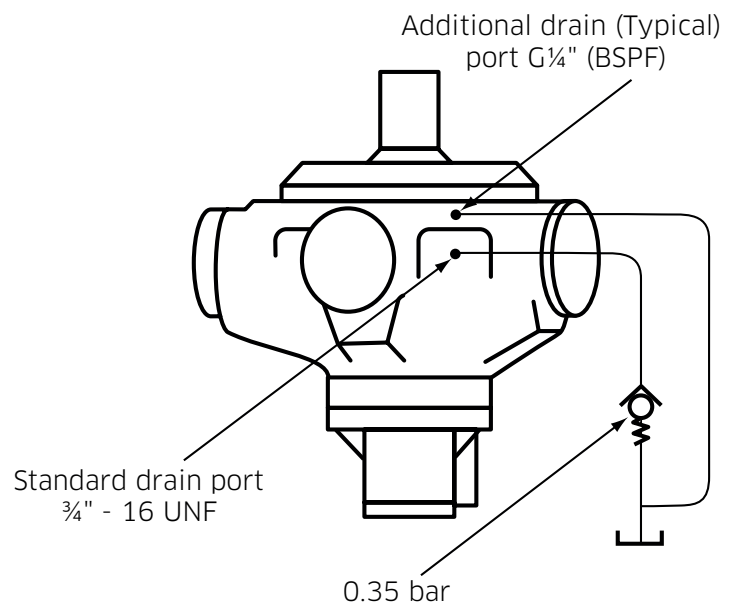
The recommended minimum pipe size for drain line lengths up to approx. 5m is 12.0 mm (½") bore. Longer drain lines should have their bore size increased to keep the crankcase pressure within limits.

Connect to a drain port above motor centre line



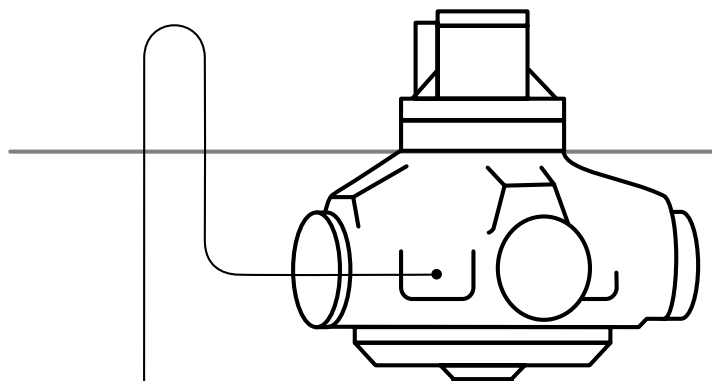
◆ Motor axis - vertical shaft up

Specify "V" within the model code for extra drain port, G¼" (BSPF). Connect this port into the main drain line downstream of a 0.35 bar check valve to ensure good bearing lubrication. The piping arrangement must not allow syphoning from the motorcase. (refer to installation drawing for details).



◆ Motor axis - vertical shaft down

The piping, from any drain port, must be taken above the level of the motorcase to ensure good bearing lubrication. The arrangement must not allow syphoning from the motorcase.



2-10 Freewheeling Notes

All Staffa motors can be used in freewheeling applications. In all circumstances it is essential that the motor is unloaded ("A" and "B" ports connected together) and that the circuit is boosted. The required boost pressure is dependent on both the speed and displacement conditions of the motor determined by the maximum overrunning load condition (see boost pressure calculation method on page 34).

It should be noted that for "B" motors large flows will re-circulate around the motor. This will require a large recirculating valve and consideration of circuit cooling as the motor will be generating a braking torque. It is for these reasons that "C" and "F" series motors are the preferred option for freewheeling applications. It is normal to select displacement codes 00, 05 or 10.

Selecting the lowest zero displacement option (00) will allow the motor shaft to be rotated at high speed without pumping fluid and with a minimum boost and drive torque requirement. Consideration must also be given when freewheeling that the load does not drive the motor above its rated freewheeling speed condition. (see pages 25 to 28).

◆◆ Displacement selection

Under all operating conditions the control pressure port should be at least 67% of the motor inlet/outlet pressure whichever is the higher.

A minimum control pressure at the low displacement selection port of 3.5 bar is necessary to ensure that the motor remains in its minimum displacement condition. A separate pressure supply may be necessary to ensure this condition is always maintained. It should be noted that with the loss of control pressure, the motor will shift to its high displacement condition, which could result in damage to the motor.

◆◆ Boost requirement

The minimum required boost pressure as noted above can be ascertained utilising the calculation method shown on page 34. The maximum motor and control pressure at 1,000 rpm is 17 bar and must not be exceeded since higher pressures will increase motor losses at the conrod slipper interface and valve assembly and thereby will significantly increase the motor operating temperature.

The boost flow required should be sufficient to make-up circuit leakage loss and provide cooling for recirculating flow pressure drop.

◆◆ Crankcase cooling

A crankcase flushing flow of up to 15 l/min can be used to control and reduce the temperature rise of the motor during the freewheel operation.

This should not be necessary for speeds below 1,000 rpm.

For speeds above this up to 1,500 rpm then crankcase flushing flow must be used.

2-11 Installation Data

◆ General

Spigot

The motor should be located by the mounting spigot on a flat, robust surface using correctly sized bolts. The diametrical clearance between the motor spigot and the mounting must not exceed 0.15 mm. If the application incurs shock loading, frequent reversing or high speed running, then high tensile bolts should be used, including one fitted bolt.

Bolt torque

The recommended torque wrench setting for bolts is as follows:

M12	97 +/- 7Nm
M14	160 +/- 21Nm
M18	312 +/- 14 Nm
M20	407 +/- 14 Nm
M24	690 +/- 27 Nm
½" UNF	97 +/- 7 Nm
⅝" UNF	265 +/- 14 Nm
¾" UNF	393 +/- 14 Nm
1"	810 +/- 27 Nm

Shaft coupling

Where the motor is solidly coupled to a shaft having independent bearings the shaft must be aligned to within 0.13 mm TIR.

Motor axis - horizontal

The crankcase drain must be taken from a position above the horizontal centre line of the motor, (refer to installation drawing for details).

Motor axis - vertical shaft up

The recommended minimum pipe size for drain line lengths up to approx. 5 m is 12.0 mm as an internal diameter. If using longer drain lines, then increase the pipe internal bore diameter to keep the motorcase pressure within specified limits.

Specify "V" in the model code for extra drain port, G¼" (BSPF). Connect this port into main drain line downstream of a 0.35 bar check valve.

Motor axis - vertical shaft down

Piping (from any drain port) must be taken above level of motorcase.

Bearing lubrication - piping

The installation arrangement must not allow syphoning from the motorcase. Where this arrangement is not practical, please consult our Tech. Dept.

Any of the drain port positions can be used, but the drain line should be run above the level of the uppermost bearing and if there is risk of syphoning then a syphon breaker should be fitted.

◆ Start - up

Fill the crankcase with system fluid. Where practical, a short period (30 minutes) of "running in" should be carried out with the motor unloaded and set to its high displacement.

3 Dimensions

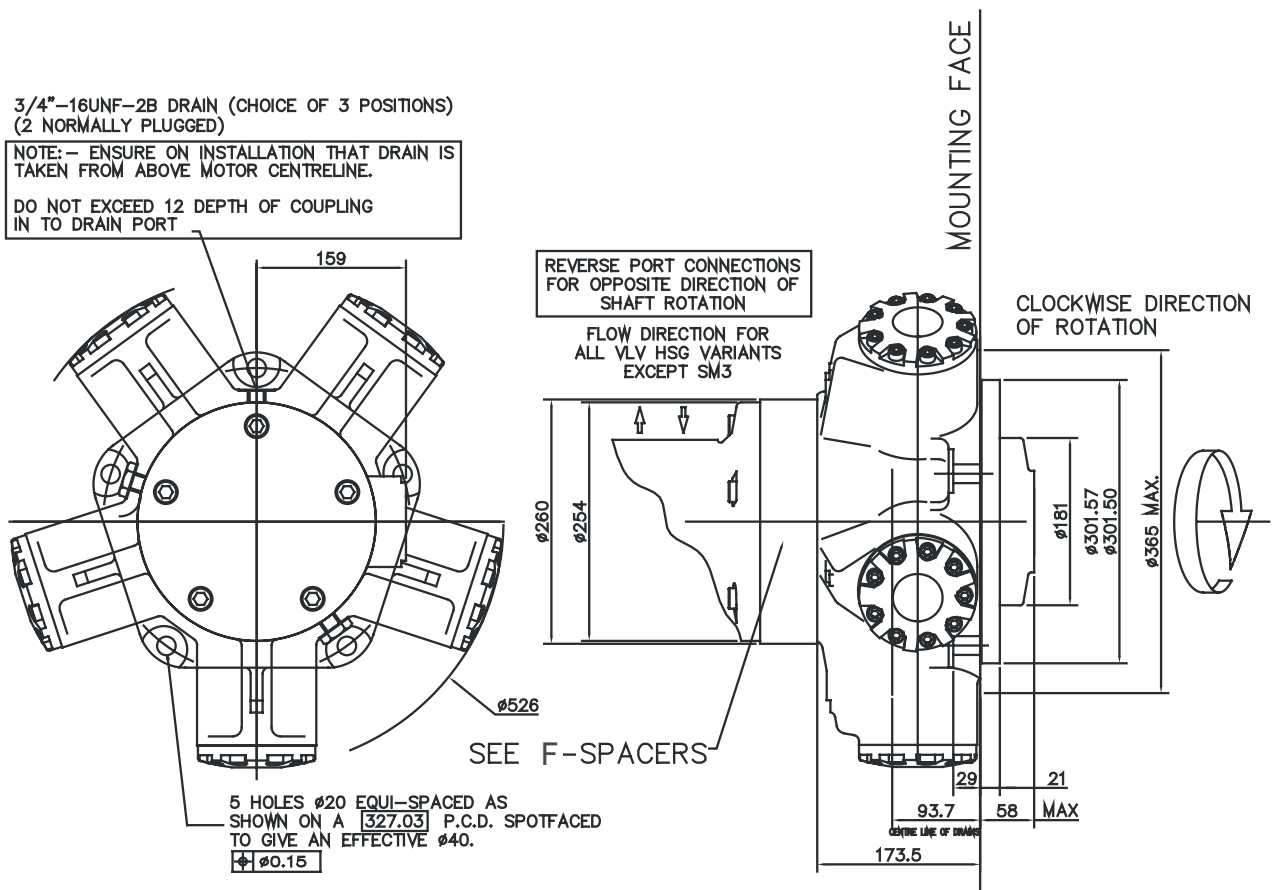
Conversion Table

Pressure	
bar	PSI
1	14.5
Flow	
l/min	gal/min
1	0.264 US
1	0.219 UK
Length	
mm	inch
25.4	1

Torque	
Nm	lbf ft
1	0.737
Power	
kW	hp
1	1.341
Mass	
kg	lb
1	2.2

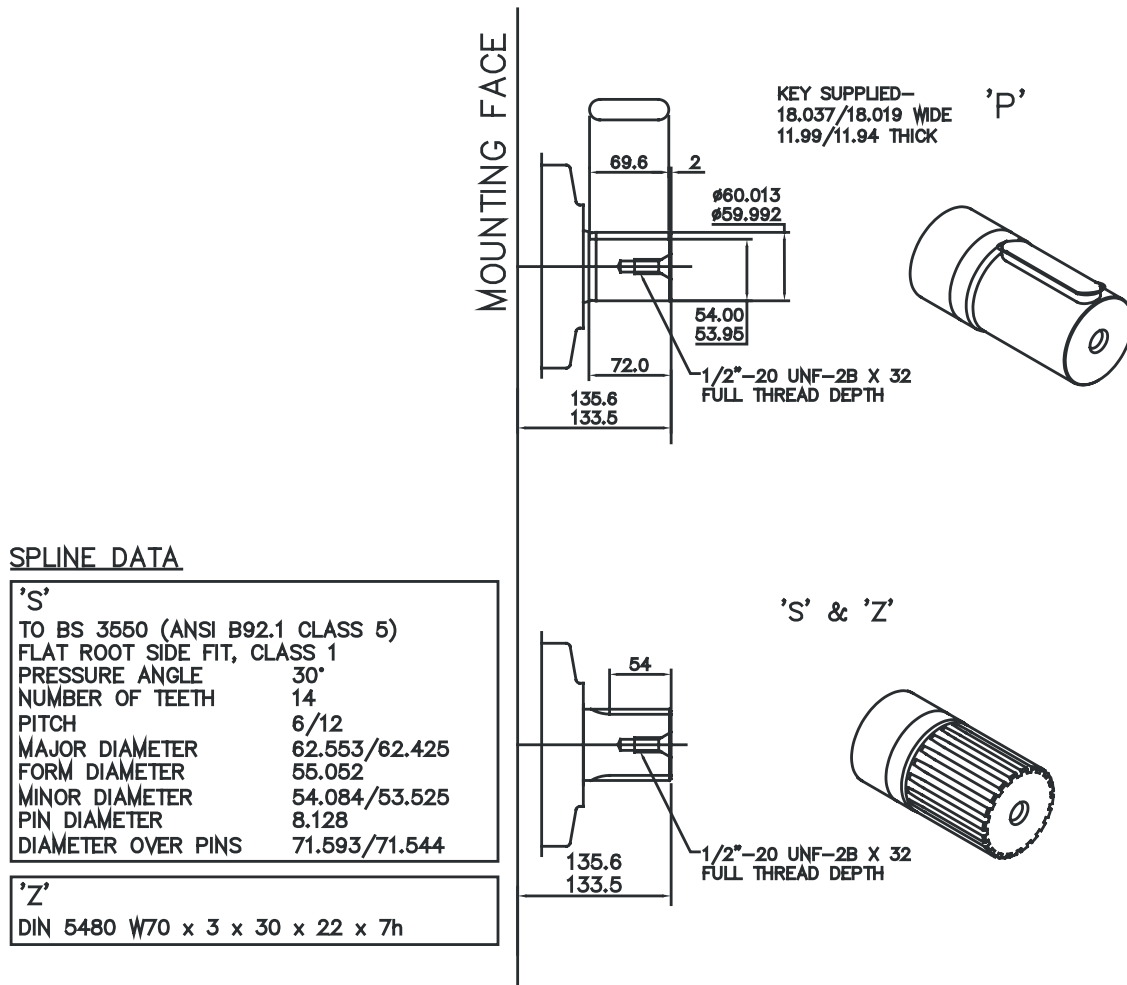
3-1 HMF100

◆ Installation



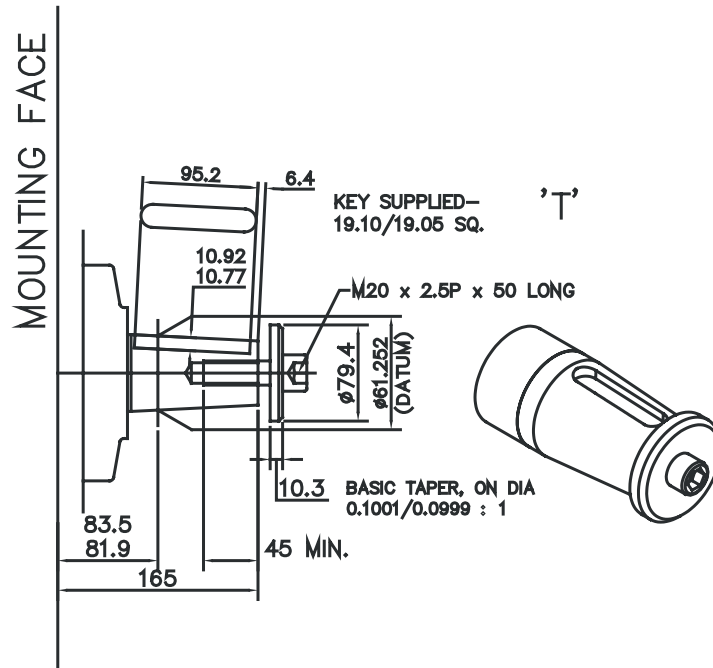
3-1 HMF100 (cont)

◆ 'P', 'S' and 'Z' Shafts



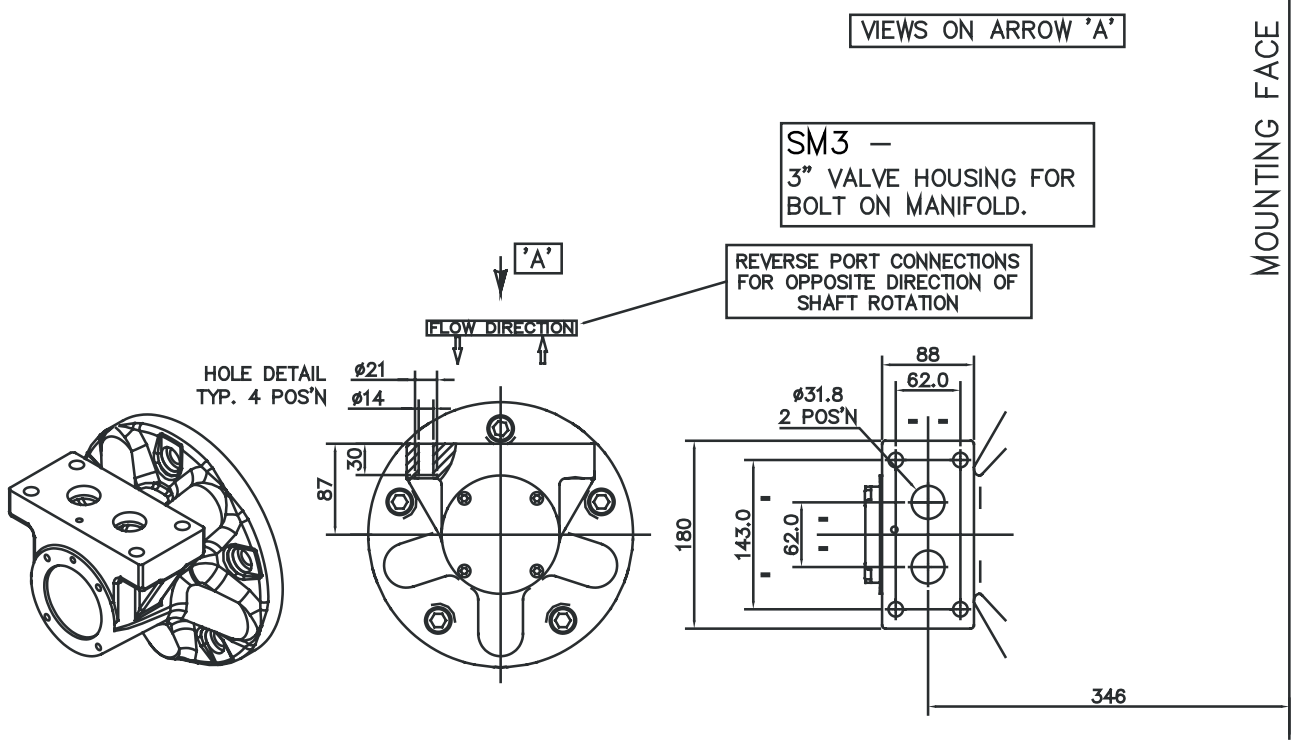
3-1 HMF100 (cont)

◆ 'T' Shaft



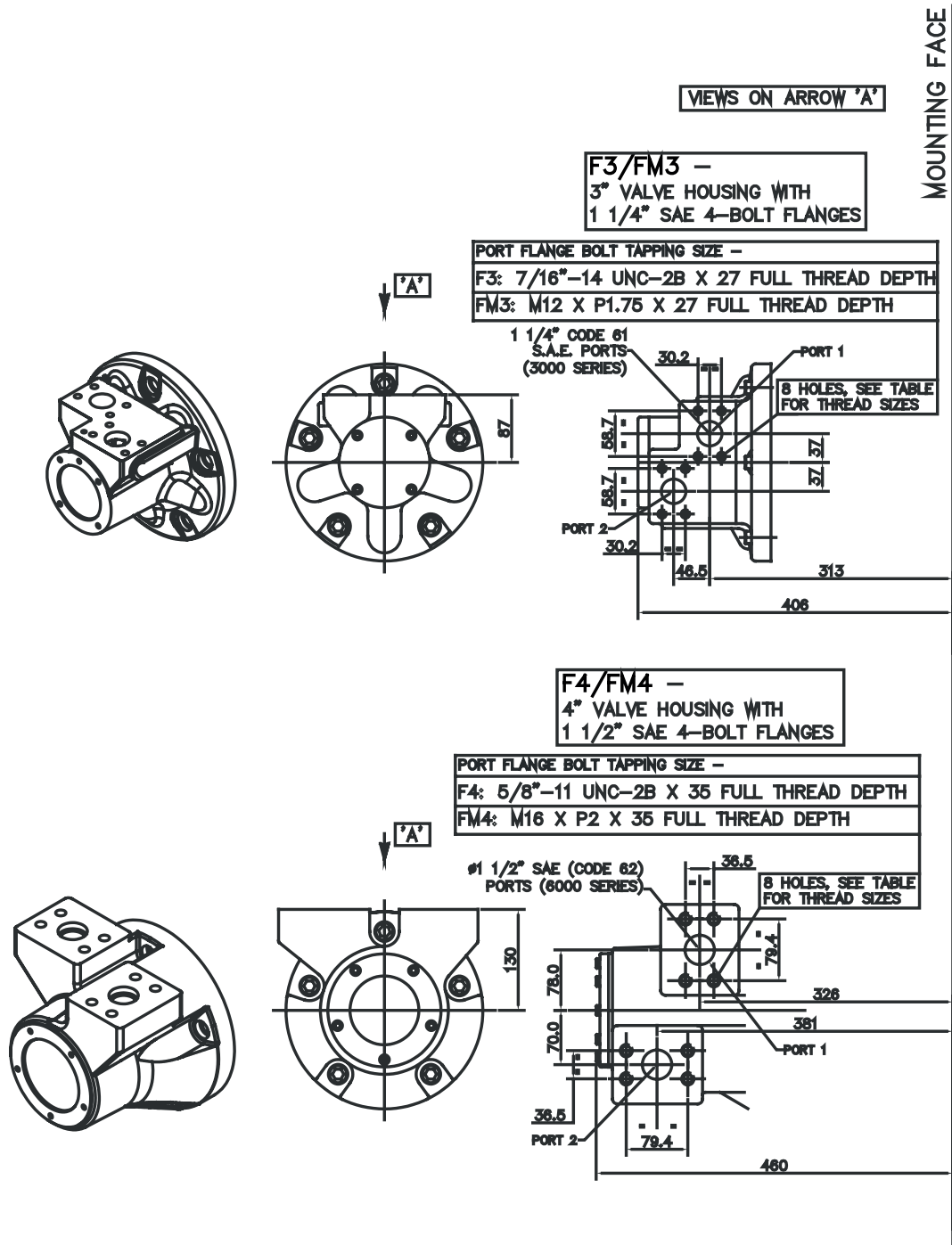
3-1 HMF100 (cont)

◆ **'SM3' Valve Housing**



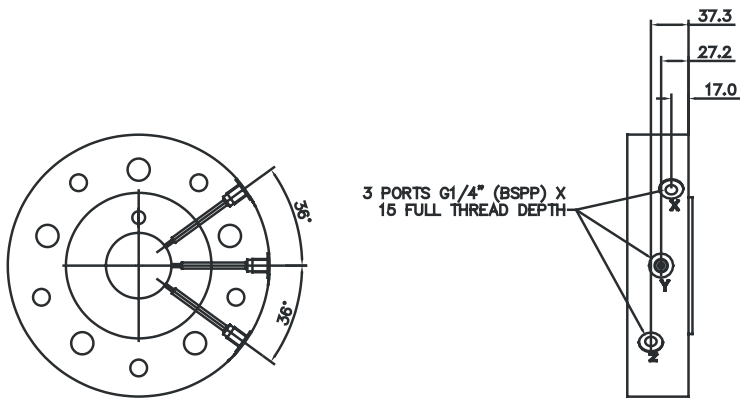
3-1 HMF100 (cont)

◆ 'F3', 'FM3', 'F4' & 'FM4' Valve Housings

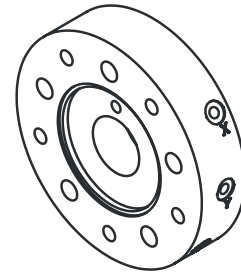


3-1 HMF100 (cont)

◆ 'X' F Spacer



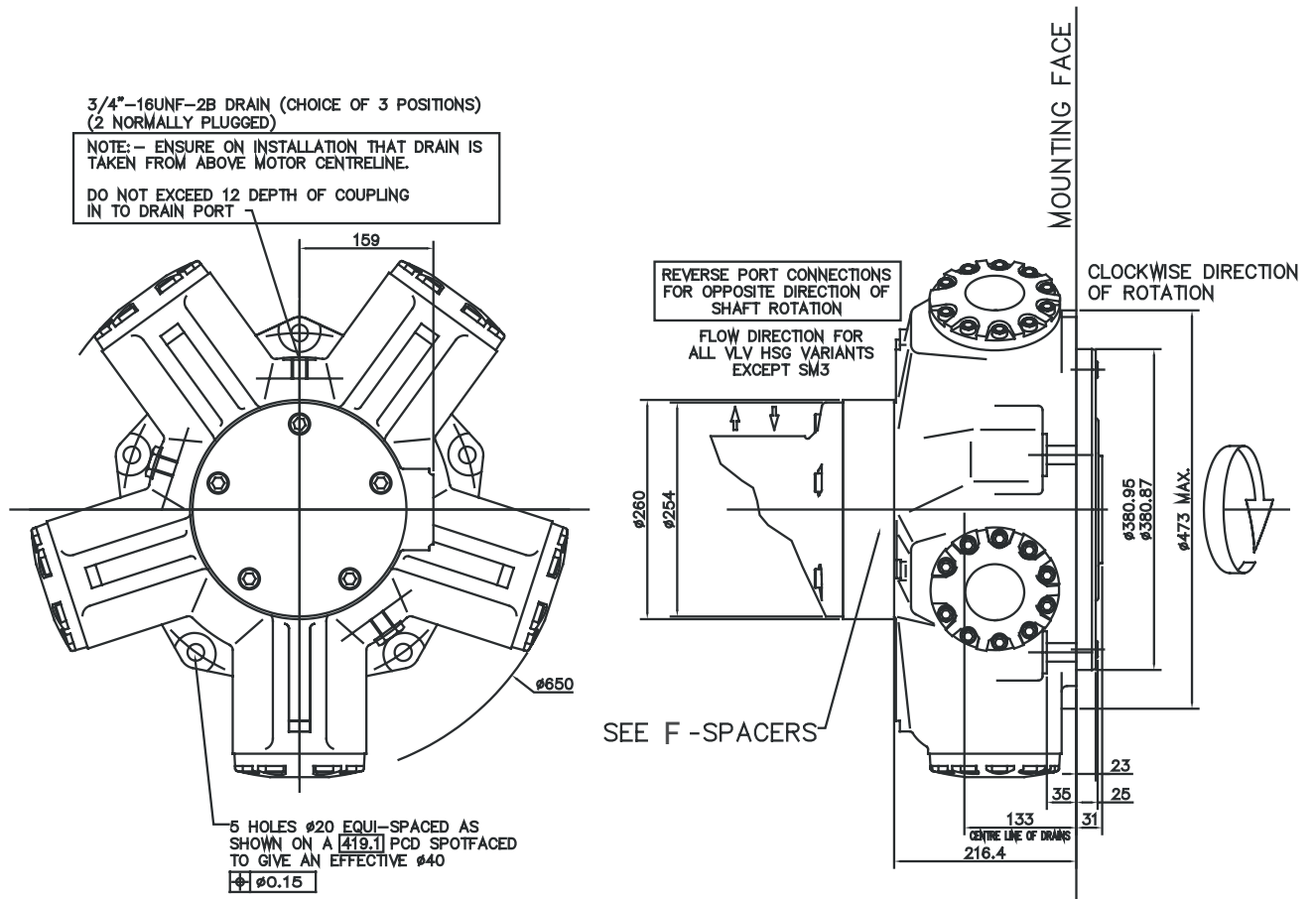
TYPE X
DISPLACEMENT CONTROL



DISPLACEMENT SELECTION (VIA REMOTELY LOCATED VALVE*)
 HIGH DISPLACEMENT: P TO Y; X TO T
 LOW DISPLACEMENT: P TO X; Y TO T
 MID DISPLACEMENT: P TO X AND Z; Y TO T
 SEE TIMING CHART.
 *DISPLACEMENT SELECTOR VALVE IS NOT SUPPLIED WITH MOTOR.

3-2 HM(HD)F200

◆ Installation

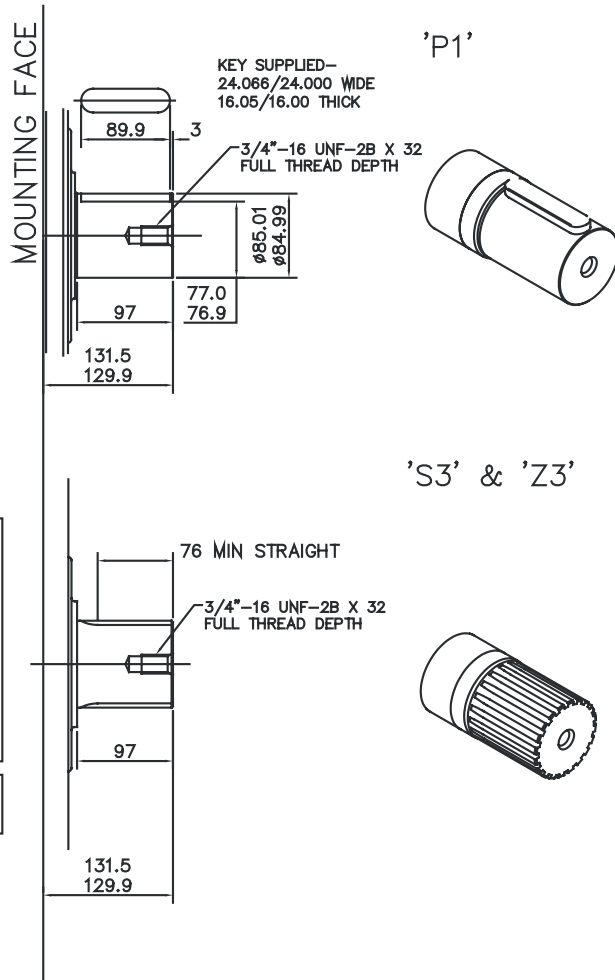


3-2 HMF200 (cont)

◆ 'P1', 'S3' and 'Z3' Shafts

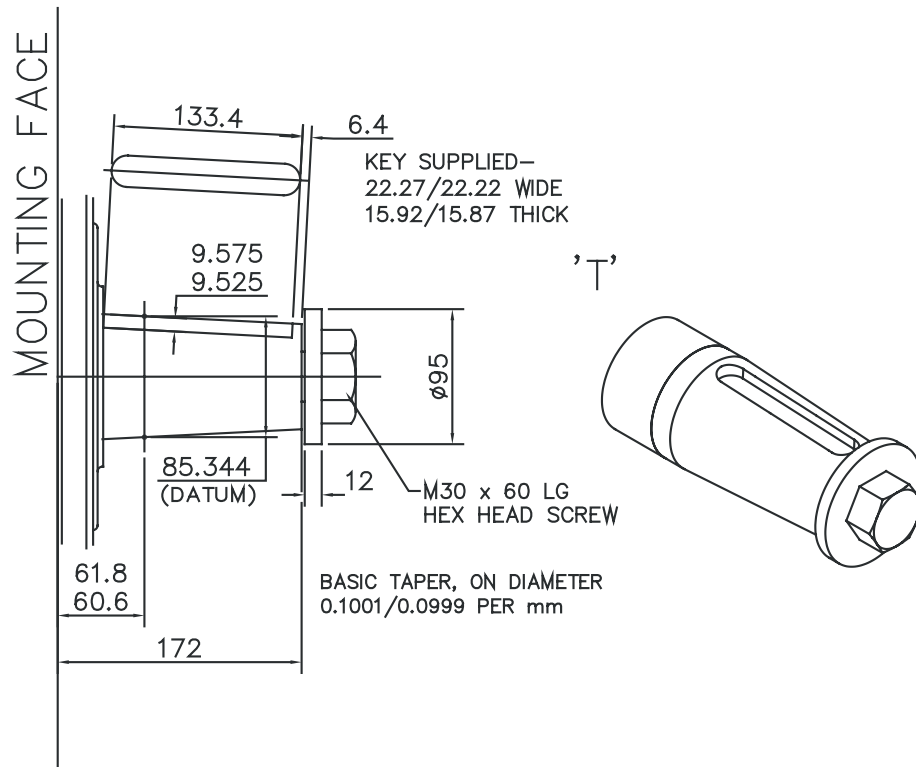
SPLINE DATA

'S3'	
TO BS 3550 (ANSI B92.1, CLASS 5)	
FLAT ROOT SIDE FIT, CLASS 1	
PRESSURE ANGLE	30°
NUMBER OF TEETH	20
PITCH	6/12
MAJOR DIAMETER	87.953/87.825
FORM DIAMETER	80.264
MINOR DIAMETER	79.485/78.925
PIN DIAMETER	8.128
DIAMETER OVER PINS	97.084/97.030
'Z3'	
DIN 5480 W85 x 3 x 27 x 7h	



3-2 HMF200 (cont)

◆ 'T' Shaft

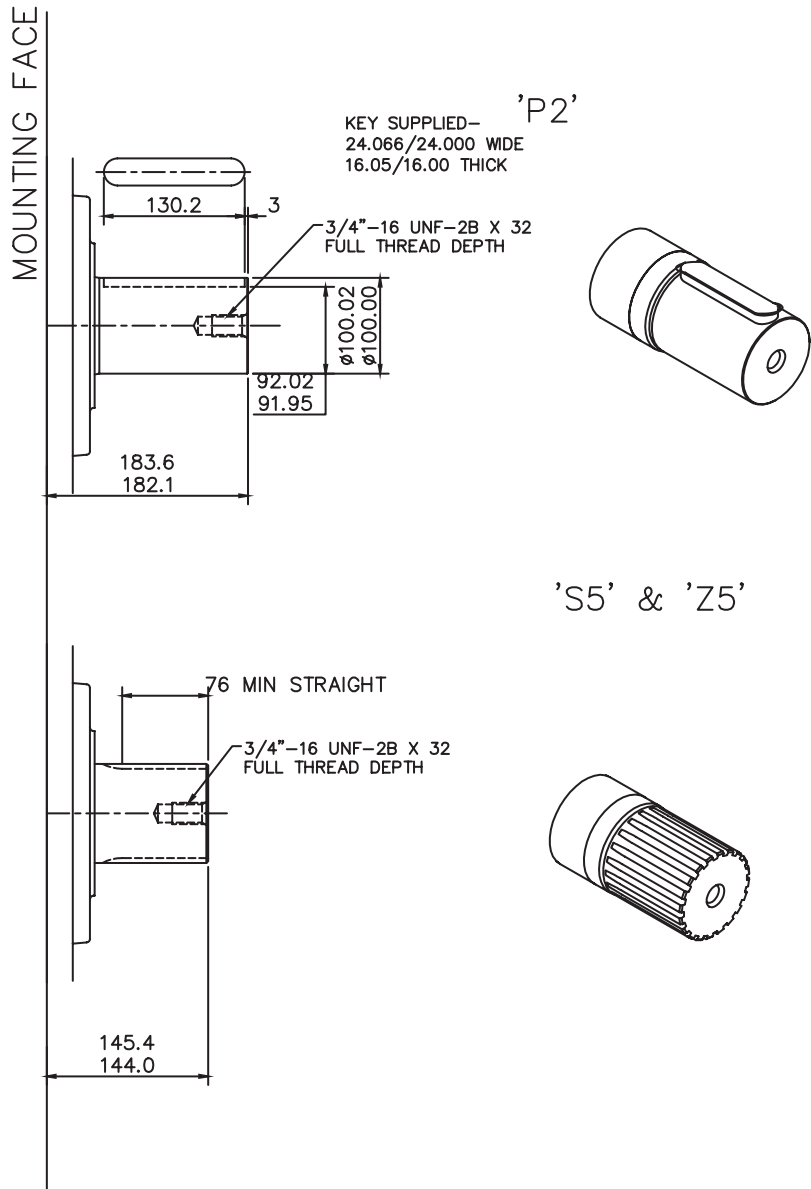


3-2 HMHDF200 (cont)

◆ 'P2', 'S5' and 'Z5' Shafts

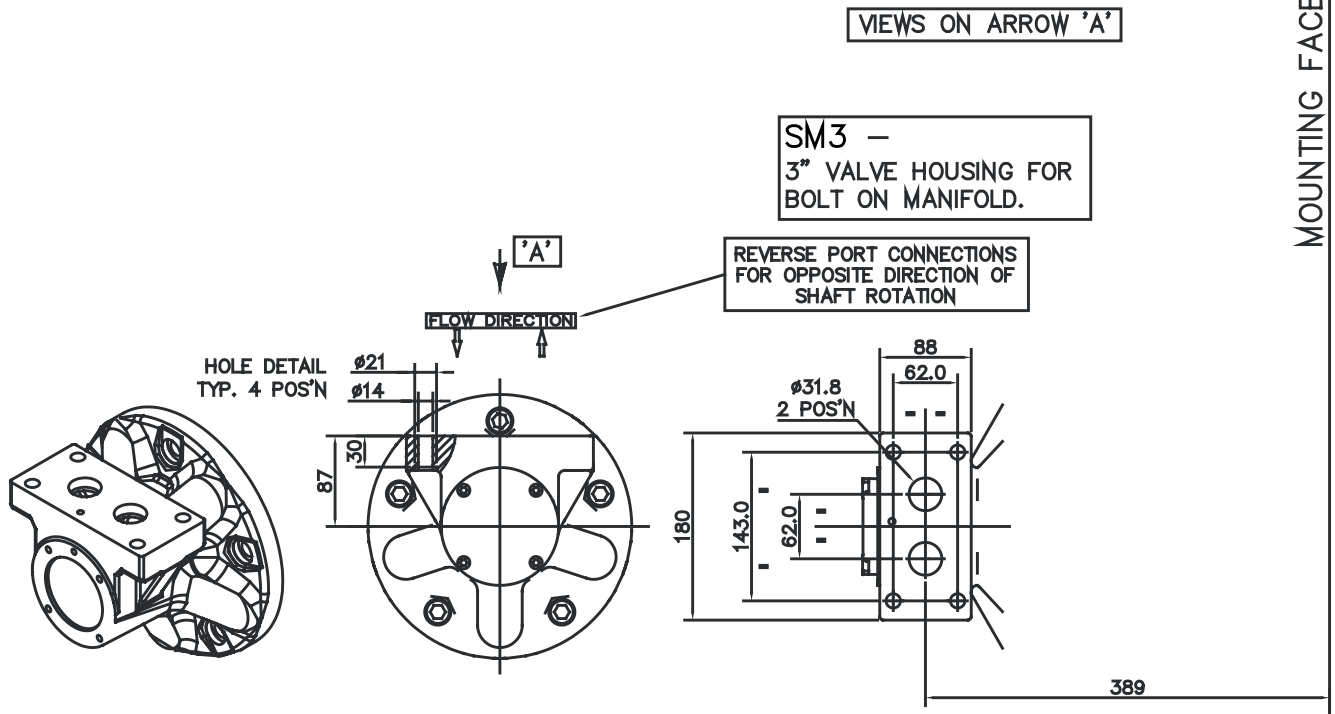
SPLINE DATA

'S5'	
PRESSURE ANGLE	30°
NUMBER OF TEETH	23
PITCH	6/12
MAJOR DIAMETER	100.652/100.526
FORM DIAMETER	92.939
MINOR DIAMETER	92.184/91.626
PIN DIAMETER	8.128
DIAMETER OVER PINS	109.573/109.517
'Z5'	
DIN 5480 W100 x 4 x 24 x 7h	



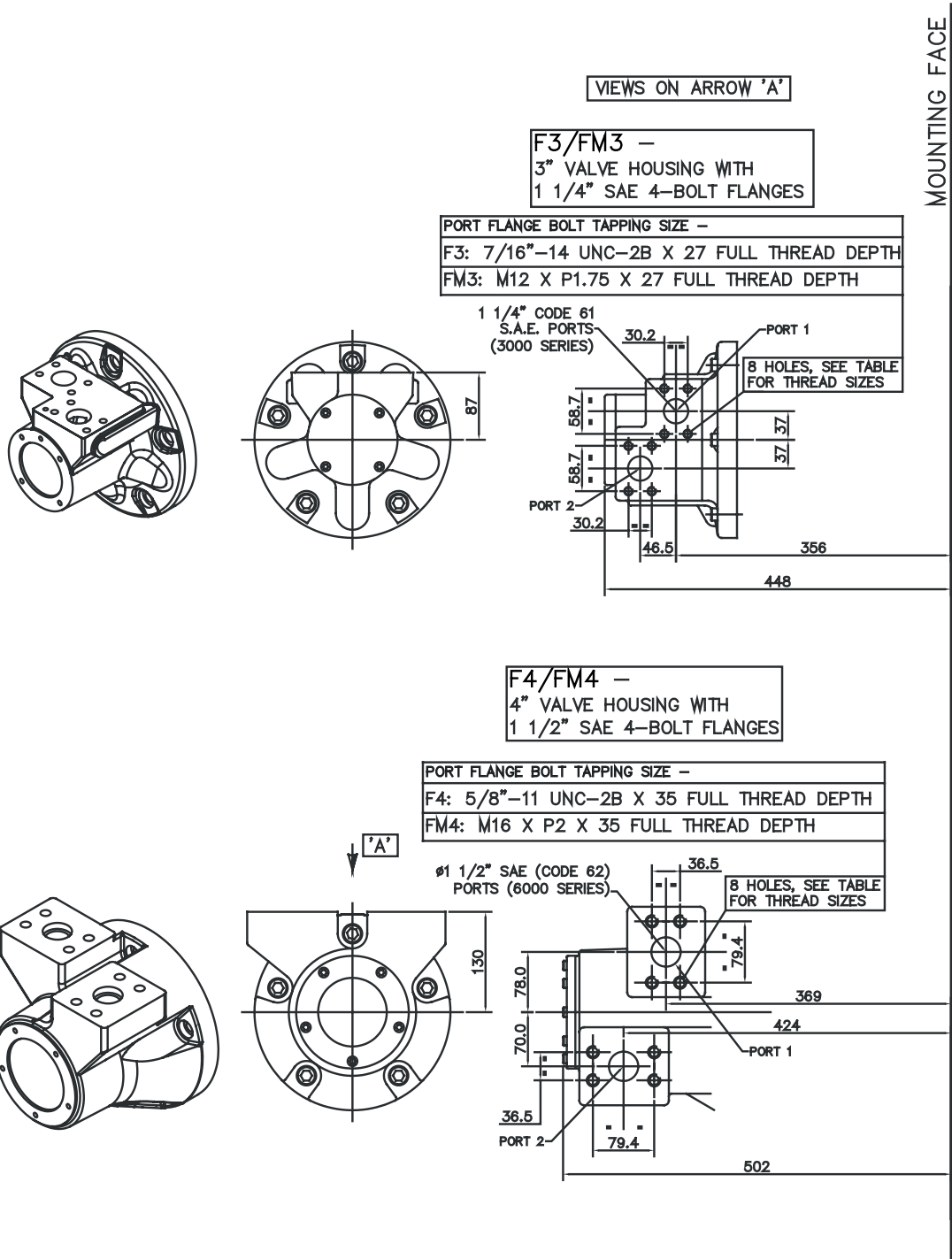
3-2 HM(HD)F200 (cont)

◆◆ 'SM3' Valve Housing



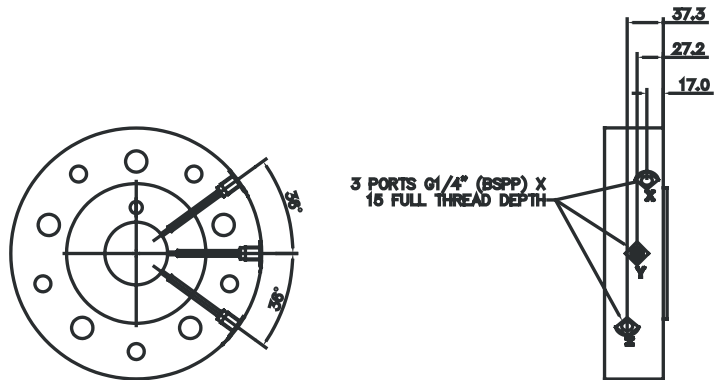
3-2 HM(HD)F200 (cont)

◆ 'F3', 'FM3', 'F4' & 'FM4' Valve Housings

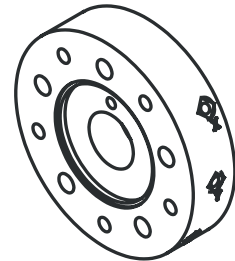


3-2 HM(HD)F200 (cont)

◆ 'X' F Spacer



TYPE X
DISPLACEMENT CONTROL



DISPLACEMENT SELECTION (VIA REMOTELY LOCATED VALVE*)
 HIGH DISPLACEMENT: P TO Y; X TO T
 LOW DISPLACEMENT: P TO X; Y TO T
 MID DISPLACEMENT: P TO X AND Z; Y TO T
 SEE TIMING CHART.
 *DISPLACEMENT SELECTOR VALVE IS NOT SUPPLIED WITH MOTOR.

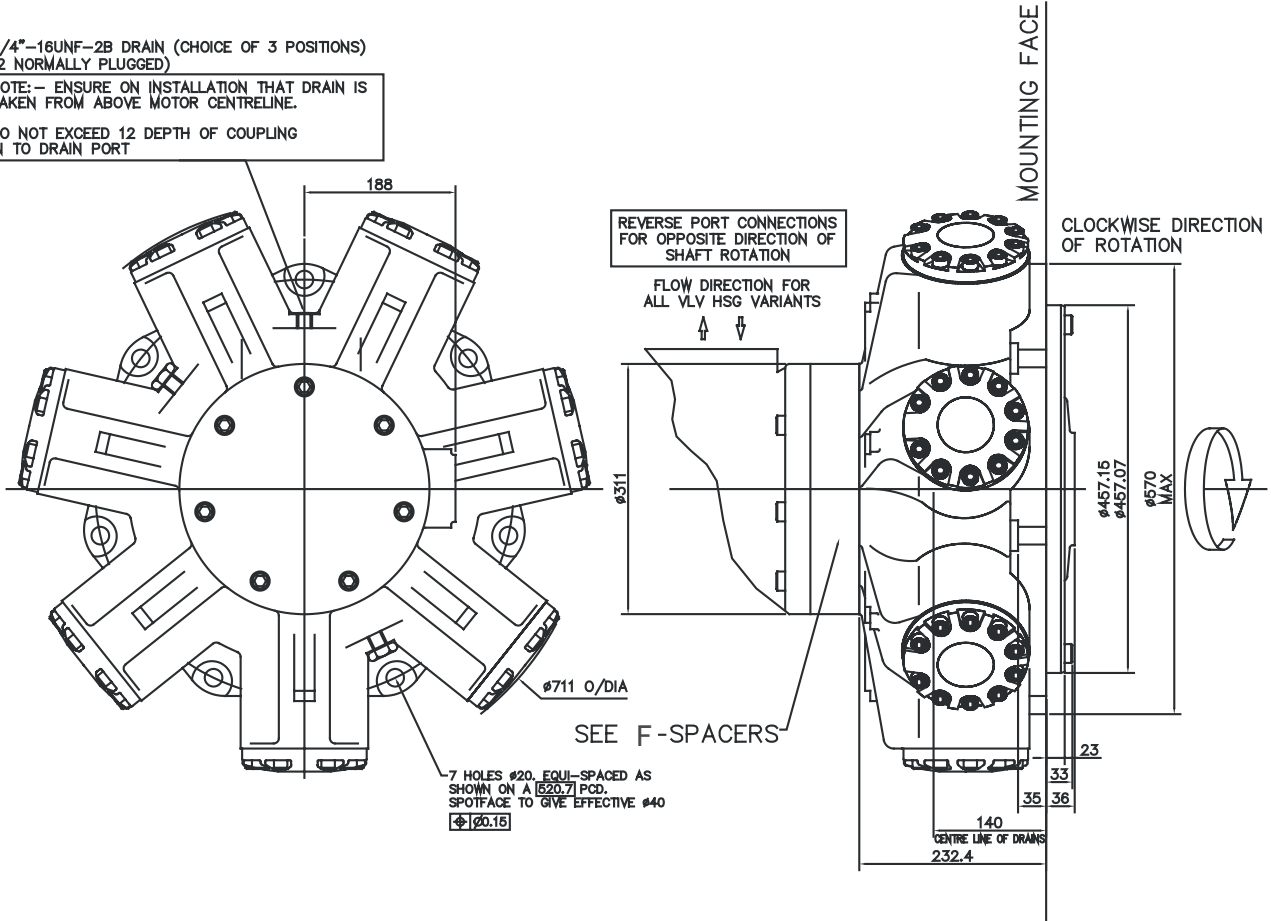
3-3 HM(HD)F270

◆ Installation

3/4"-16UNF-2B DRAIN (CHOICE OF 3 POSITIONS)
(2 NORMALLY PLUGGED)

NOTE: - ENSURE ON INSTALLATION THAT DRAIN IS
TAKEN FROM ABOVE MOTOR CENTRELINE.

DO NOT EXCEED 12 DEPTH OF COUPLING
IN TO DRAIN PORT



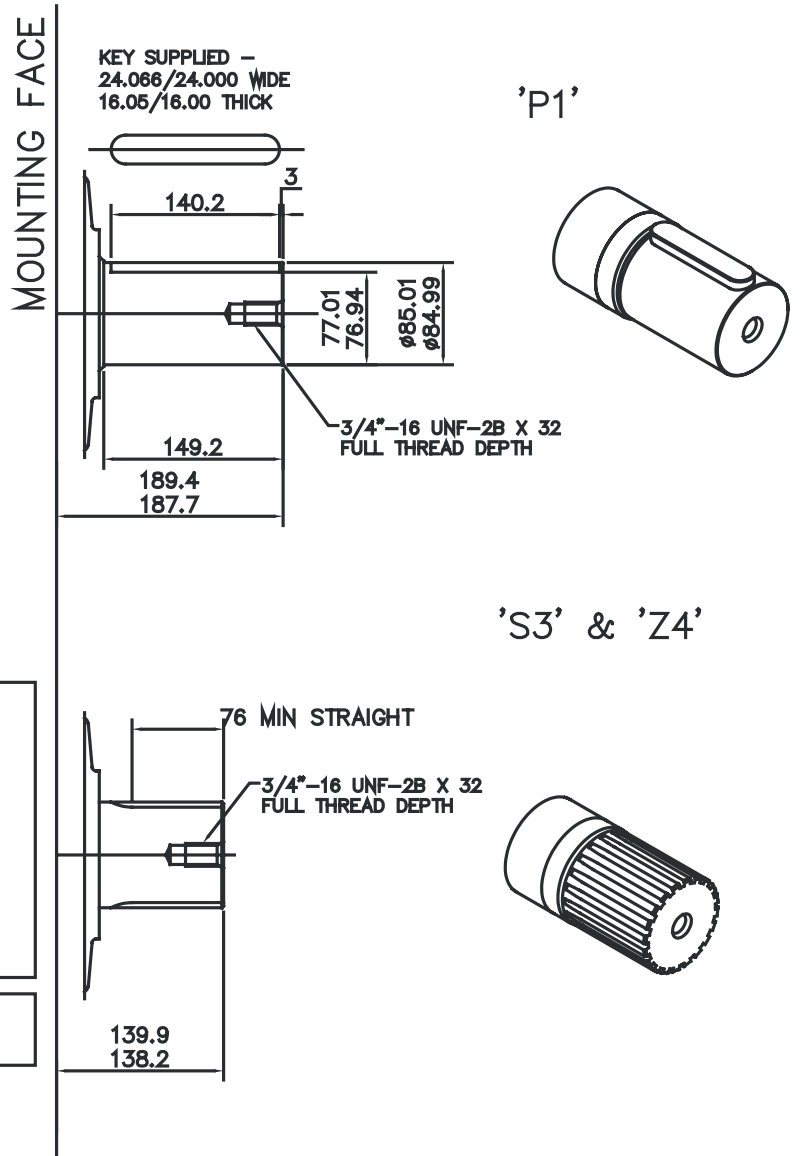
3-3 HMF270 (cont)

◆ 'P1', 'S3' and 'Z4' Shafts

SPLINE DATA

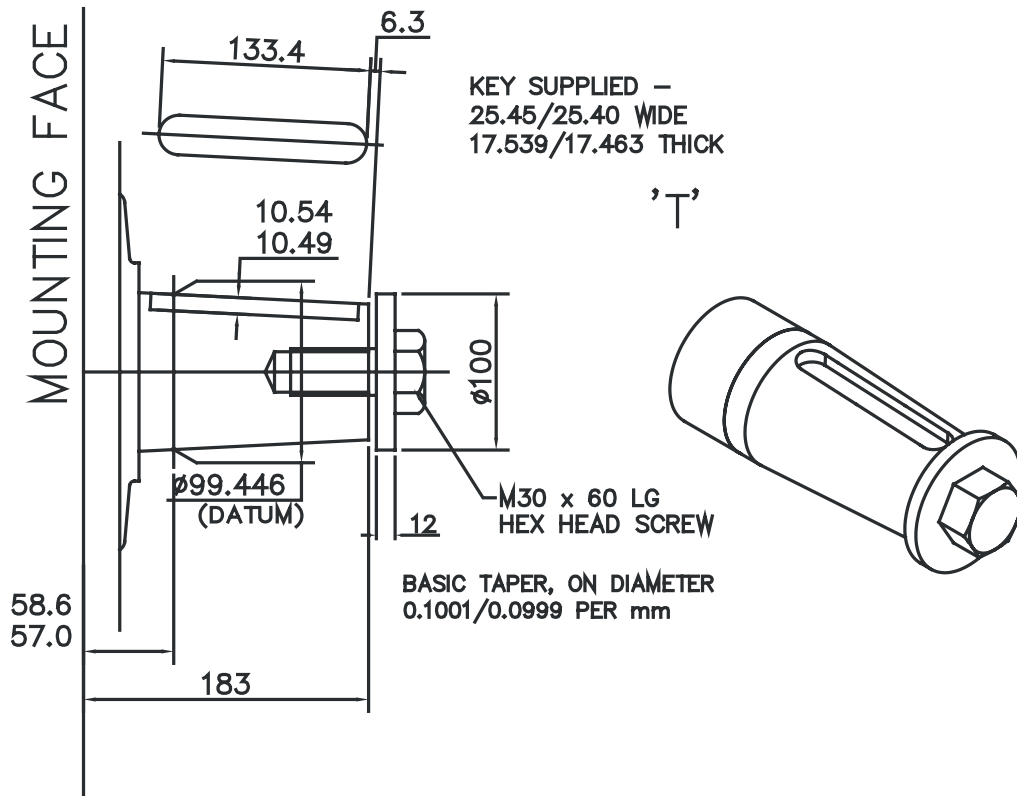
'S3'	
TO BS 3550 (ANSI B92.1, CLASS 5)	
FLAT ROOT SIDE FIT, CLASS 1	
PRESSURE ANGLE	30°
NUMBER OF TEETH	20
PITCH	6/12
MAJOR DIAMETER	87.953/87.825
FORM DIAMETER	80.264
MINOR DIAMETER	79.485/78.925
PIN DIAMETER	8.128
DIAMETER OVER PINS	97.084/97.030

'Z4'	
DIN 5480 W90 x 4 x 21 x 7h	



3-3 HMF270 (cont)

◆ 'T' Shaft



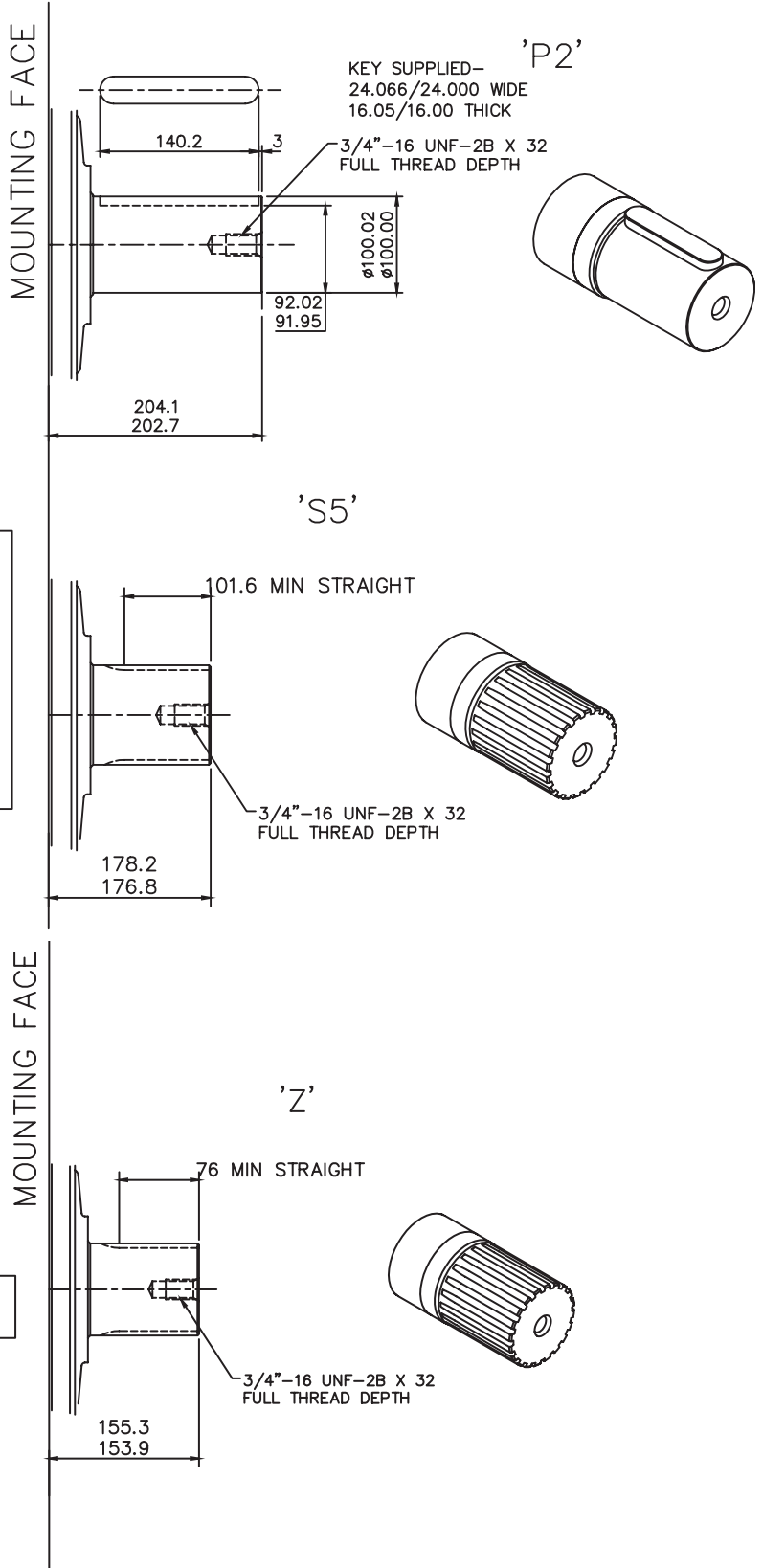
3-3 HMHDF270 (cont)

◆ 'P2', 'S5' and 'Z' Shafts

SPLINE DATA

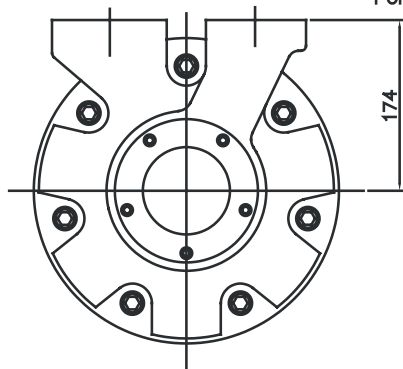
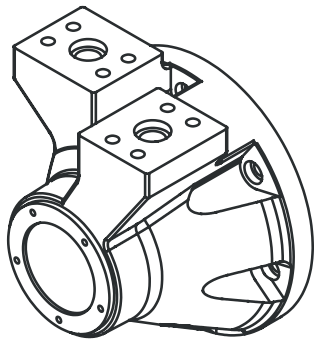
'S5'	
TO BS 3550 (ANSI B92.1, CLASS 5)	
FLAT ROOT SIDE FIT, CLASS 1	
PRESSURE ANGLE	30°
NUMBER OF TEETH	23
PITCH	6/12
MAJOR DIAMETER	100.653/100.526
FORM DIAMETER	92.939
MINOR DIAMETER	92.184/91.625
PIN DIAMETER	8.128
DIAMETER OVER PINS	109.573/109.517

'Z'
DIN 5480 W100 x 4 x 24 x 7h



3-3 HM(HD)F270 (cont)

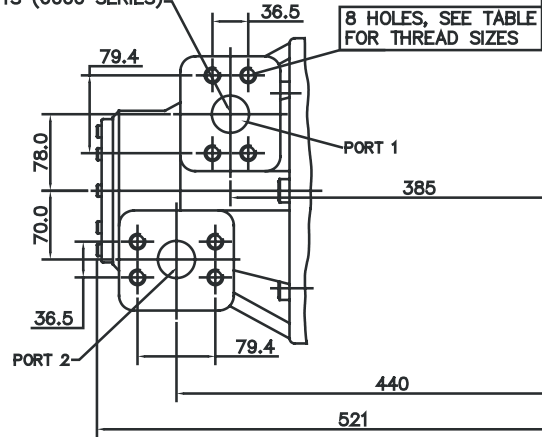
◆ 'F4' & 'FM4' Valve Housings



Ø1 1/2" SAE (CODE 62)
PORTS (6000 SERIES)

F4/FM4 – 4" VALVE HOUSING WITH 1 1/2" SAE 4-BOLT FLANGES
PORT FLANGE BOLT TAPPING SIZE –
F4: 5/8"–11 UNC–2B X 35 FULL THREAD DEPTH
FM4: M16 X P2 X 35 FULL THREAD DEPTH

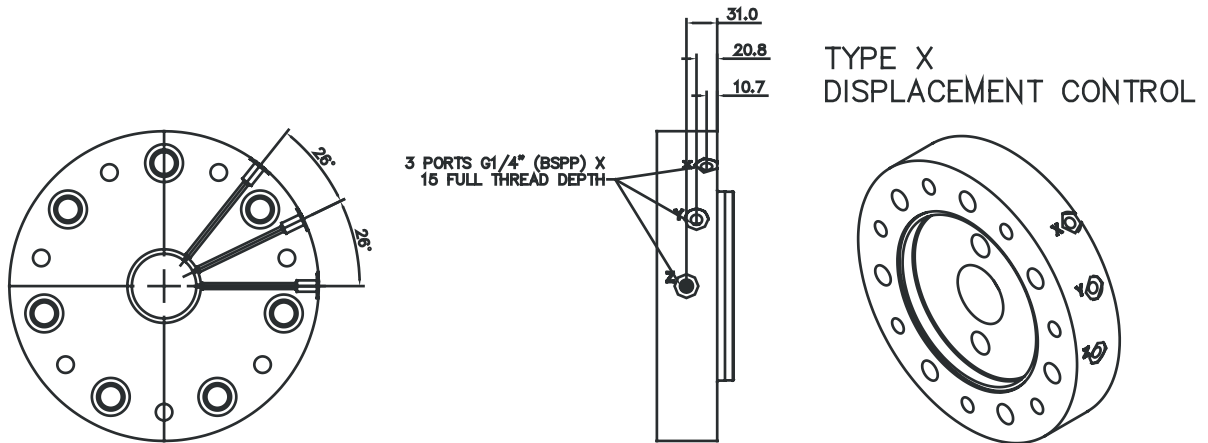
VIEW ON ARROW 'A'



MOUNTING FACE

3-3 HM(HD)F270 (cont)

◆ 'X' F Spacer



DISPLACEMENT SELECTION (VIA REMOTELY LOCATED VALVE*)
 HIGH DISPLACEMENT: P TO Y; X TO T
 LOW DISPLACEMENT: P TO X; Y TO T
 MID DISPLACEMENT: P TO X AND Z; Y TO T
 SEE TIMING CHART.
 *DISPLACEMENT SELECTOR VALVE IS NOT SUPPLIED WITH MOTOR.

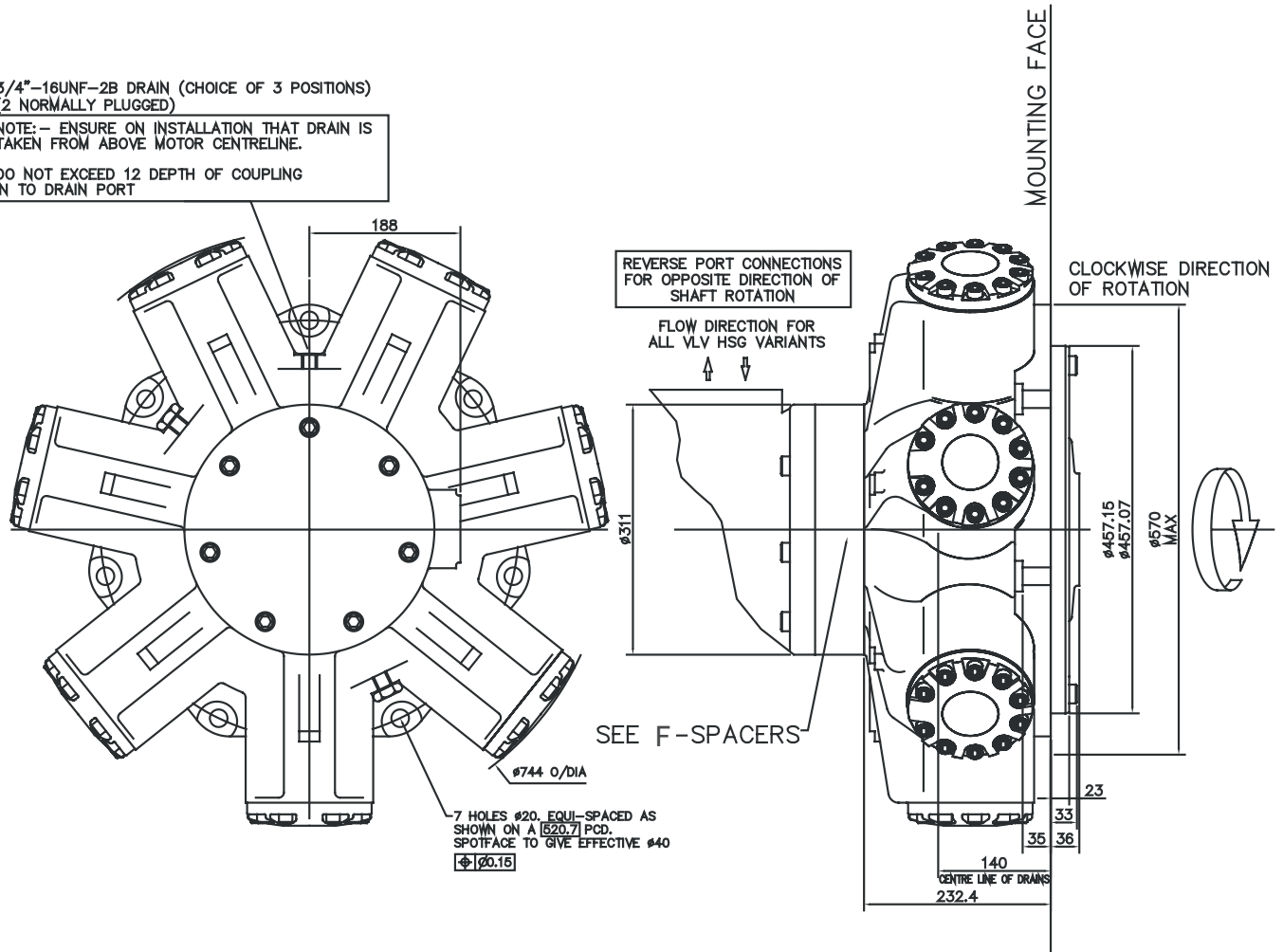
3-4 HM(HD)F325

◆ Installation

3/4"-16UNF-2B DRAIN (CHOICE OF 3 POSITIONS)
(2 NORMALLY PLUGGED)

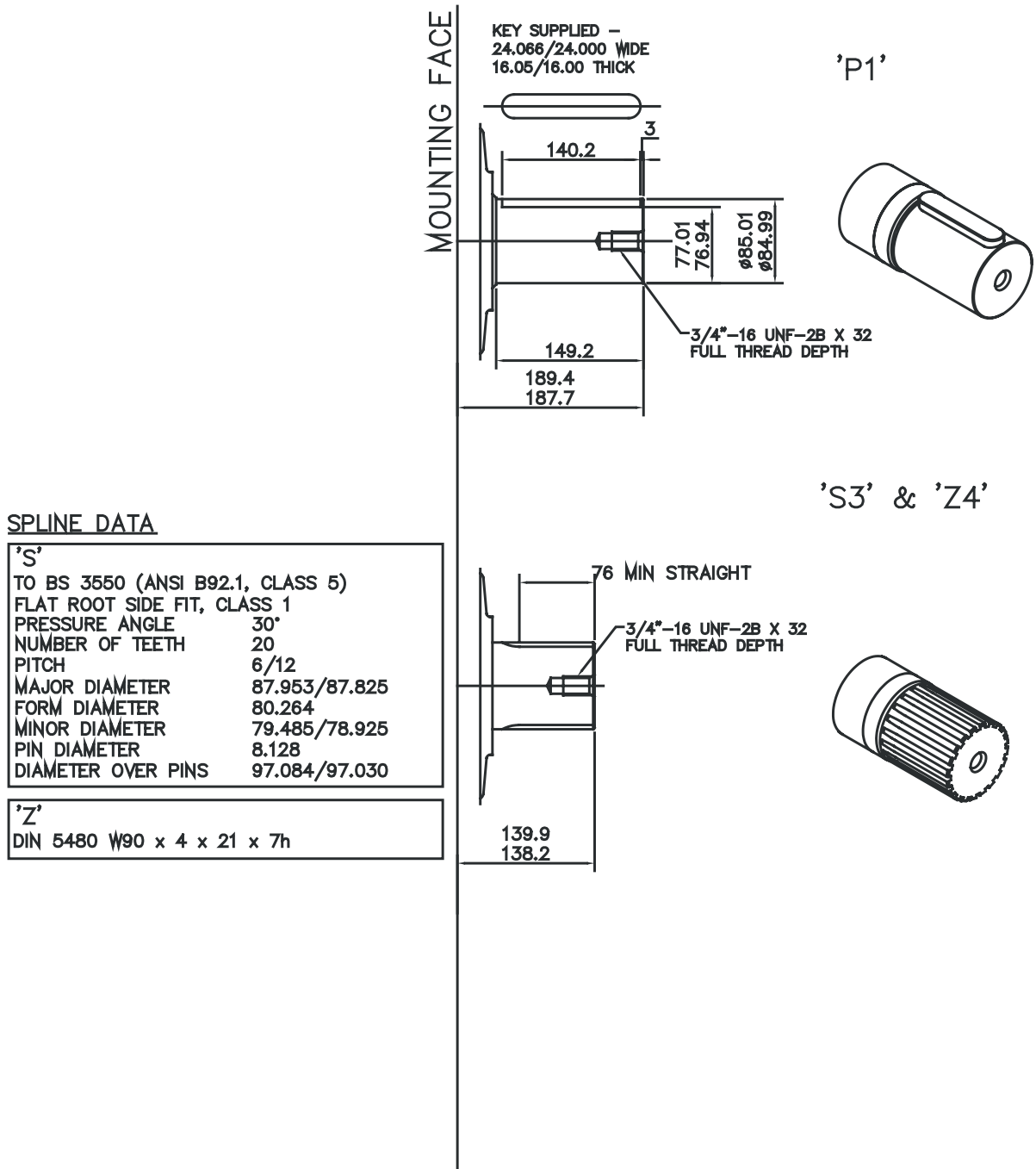
NOTE: - ENSURE ON INSTALLATION THAT DRAIN IS
TAKEN FROM ABOVE MOTOR CENTRELINE.

DO NOT EXCEED 12 DEPTH OF COUPLING
IN TO DRAIN PORT



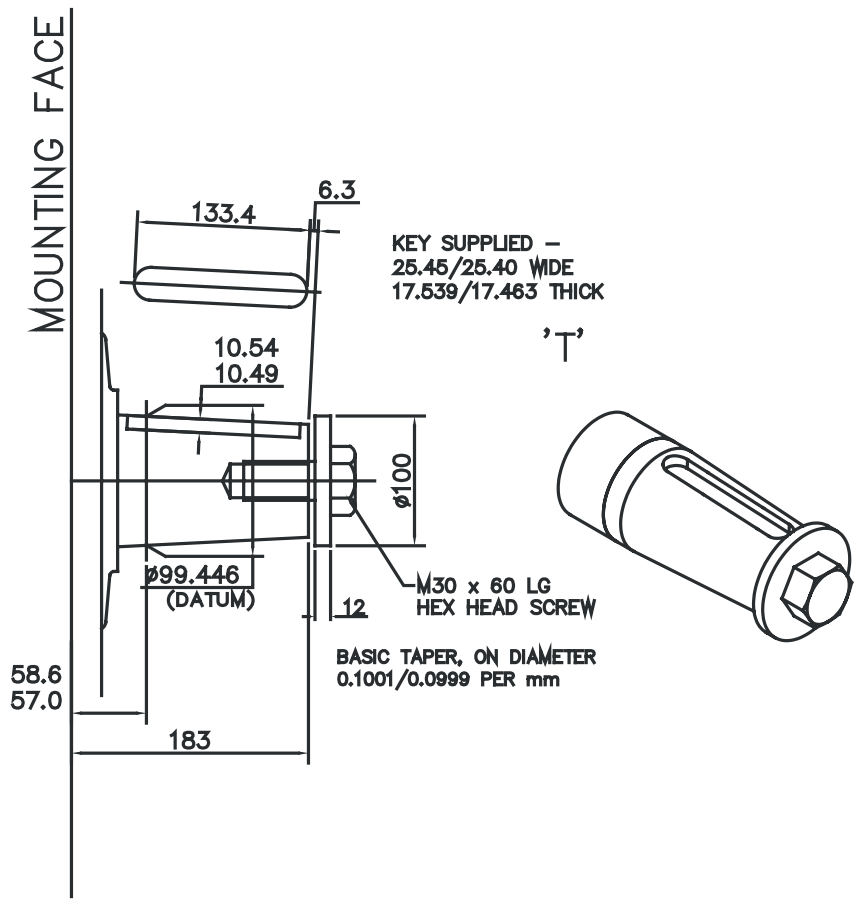
3-4 HMF325 (cont)

◆ 'P1', 'S3' and 'Z4' Shafts



3-4 HMF325 (cont)

◆ 'T' Shaft

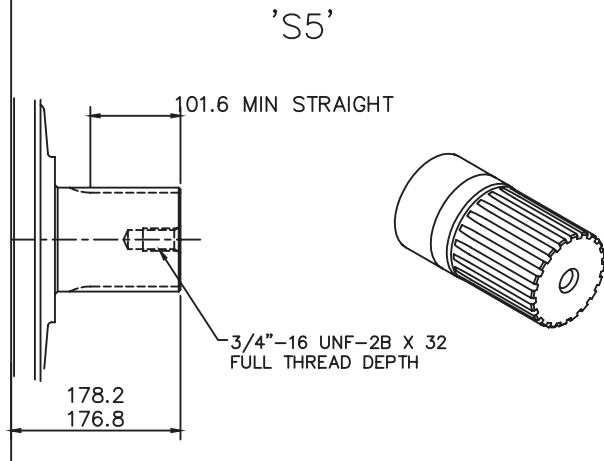
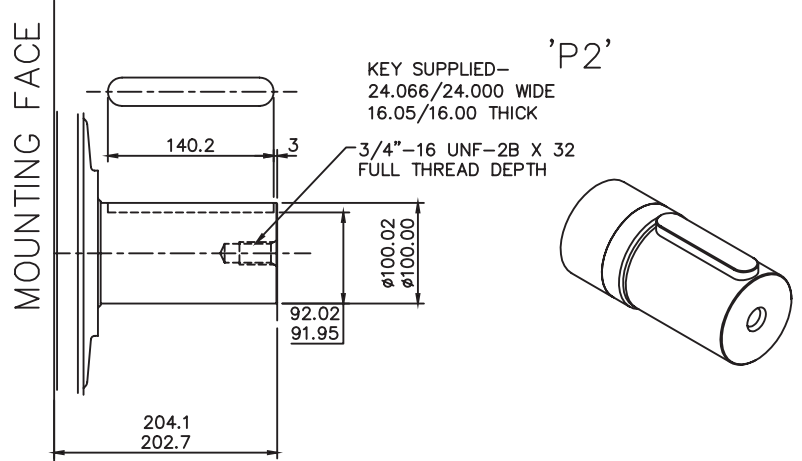


3-4 HMHDF325 (cont)

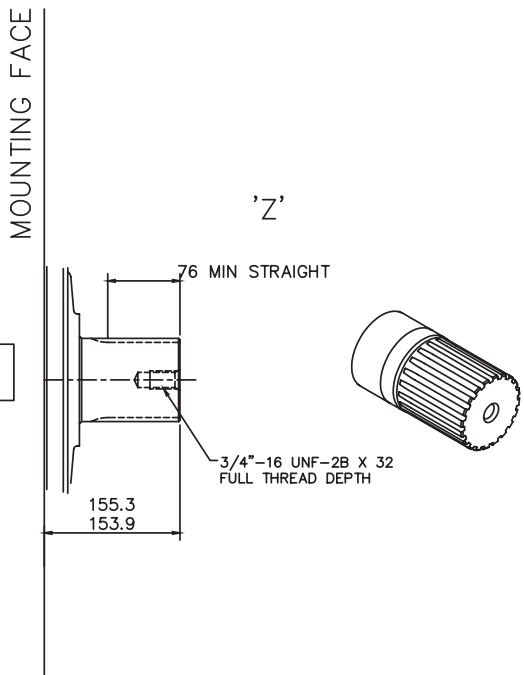
◆ 'P2', 'S5' and 'Z' Shafts

SPLINE DATA

'S5'	
TO BS 3550 (ANSI B92.1, CLASS 5)	
FLAT ROOT SIDE FIT, CLASS 1	
PRESSURE ANGLE	30°
NUMBER OF TEETH	23
PITCH	6/12
MAJOR DIAMETER	100.653/100.526
FORM DIAMETER	92.939
MINOR DIAMETER	92.184/91.625
PIN DIAMETER	8.128
DIAMETER OVER PINS	109.573/109.517

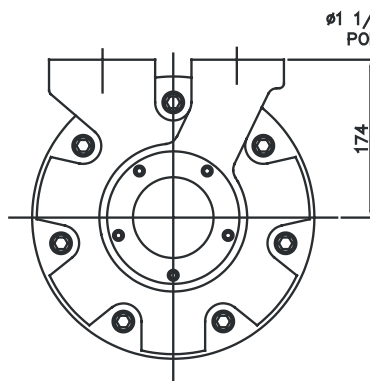
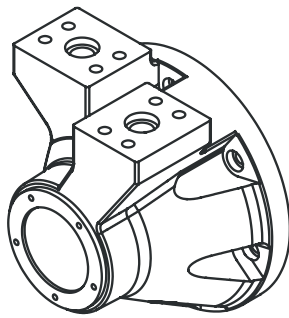


'Z'
DIN 5480 W100 x 4 x 24 x 7h



3-4 HM(HD)F325 (cont)

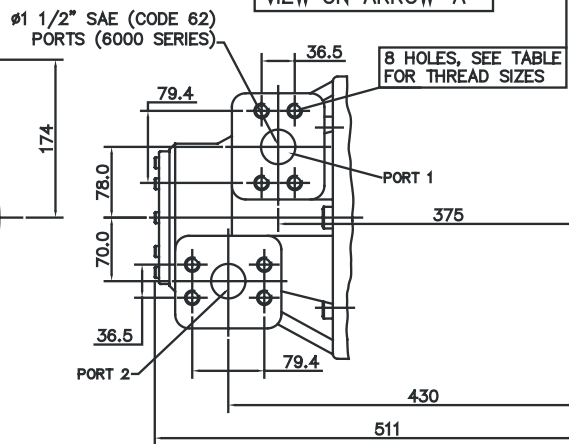
◆◆ 'F4' & 'FM4' Valve Housings



F4/FM4 –
4" VALVE HOUSING WITH
1 1/2" SAE 4-BOLT FLANGES

PORT FLANGE BOLT TAPPING SIZE –
F4: 5/8"–11 UNC–2B X 35 FULL THREAD DEPTH
FM4: M16 X P2 X 35 FULL THREAD DEPTH

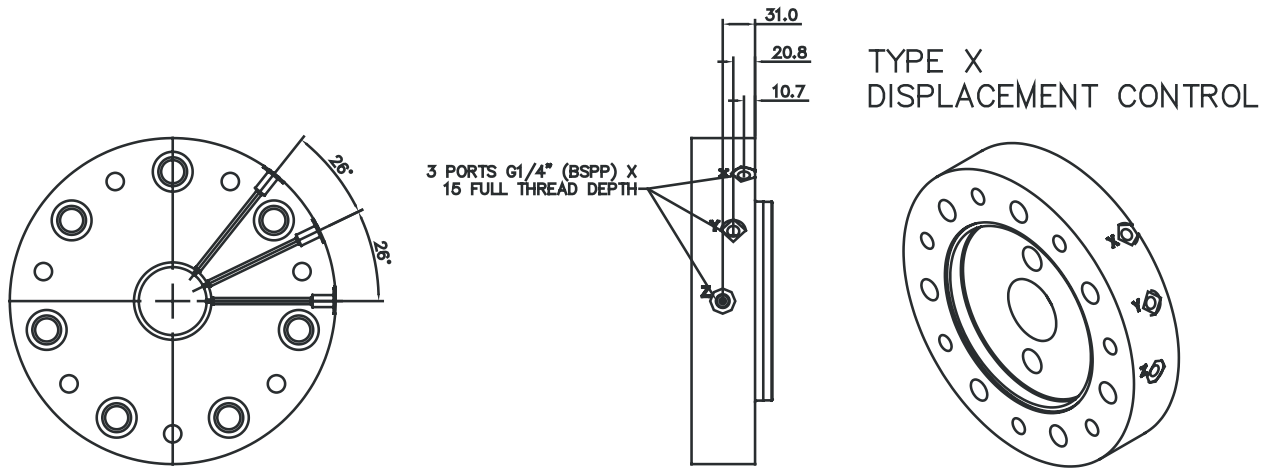
VIEW ON ARROW 'A'



MOUNTING FACE

3-4 HM(HD)F325 (cont)

◆◆ 'X' F Spacer



DISPLACEMENT SELECTION (VIA REMOTELY LOCATED VALVE*)
 HIGH DISPLACEMENT: P TO Y; X TO T
 LOW DISPLACEMENT: P TO X; Y TO T
 MID DISPLACEMENT: P TO X AND Z; Y TO T
 SEE TIMING CHART.
 *DISPLACEMENT SELECTOR VALVE IS NOT SUPPLIED WITH MOTOR.

3-5 Speed Sensing Options

◆ Tj speed sensor with Tk readout option

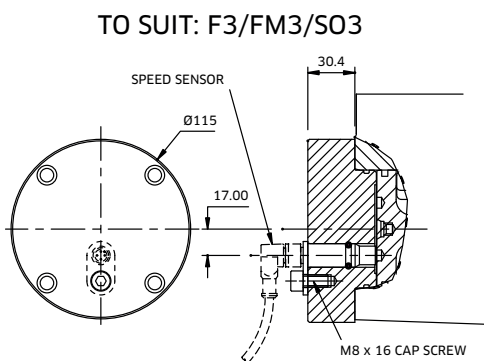
Tj Speed Sensor Technical Specification

The Tj speed sensor is a hall effect dual channel speed probe that can provide feedback of both speed and direction.

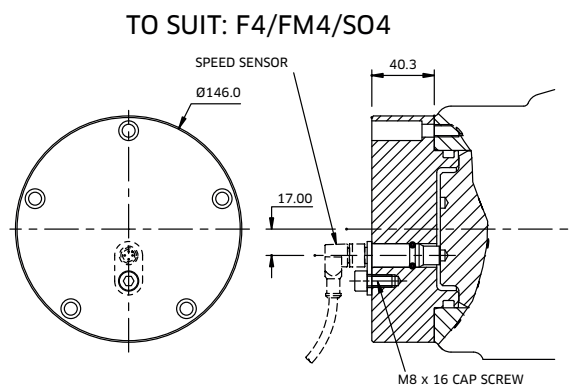
Signal Outputs:	Square wave plus directional signal
Power Supply:	8 to 32 V @ 40 mA
Protection class:	IP68
Output frequency:	16 pulses/revolution



Installation Details



'Tj'

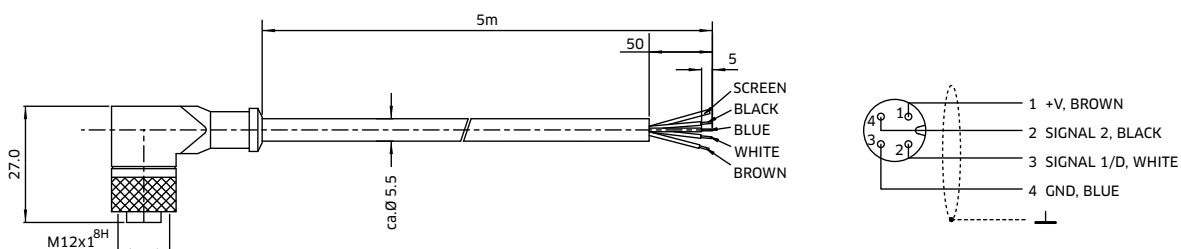


Tk Output Module

The Tk option consists of the Tj speed sensor together with the optional T401 output module.

The addition of the T401 module provides a software configured single channel tachometer and relay with a 0/4-20 mA analogue current output.

The software and calibration cable is also provided.



As HANSA-TMP has a very extensive range of products and some products have a variety of applications, the information supplied may often only apply to specific situations.

If the catalogue does not supply all the information required, please contact HANSA-TMP.

In order to provide a comprehensive reply to queries we may require specific data regarding the proposed application.

Whilst every reasonable endeavour has been made to ensure accuracy, this publication cannot be considered to represent part of any contract, whether expressed or implied.

The data in this catalogue refer to the standard product. The policy of HANSA-TMP consists of a continuous improvement of its products. It reserves the right to change the specifications of the different products whenever necessary and without giving prior information.

Exclusive Distributor for Italy:



HANSA-TMP S.r.l.
Via M. L. King, 6 – 41122 Modena (ITALY)
Tel.: +39 059 415 711
Fax: +39 059 415 730
E-mail: hansatmp@hansatmp.it
Website: www.hansatmp.it

Certified Company
ISO 9001:2015 – ISO 14001:2015



Share Capital: € 300.000,00
VAT Number: IT01167360369
REA Number: MO-225785