



HANSA-TMP

MANUFACTURING YOUR SUCCESS

HT 16 / F / 902 / 0621 / E / V

Hydraulic Pilot Valves

Kawasaki

Hydraulic Products

PV48 / PVD / PV6P





PV series valves are pressure-reducing type pilot valves to simultaneously control spools of multiple control valves and the tilting angle of variable displacement pumps.

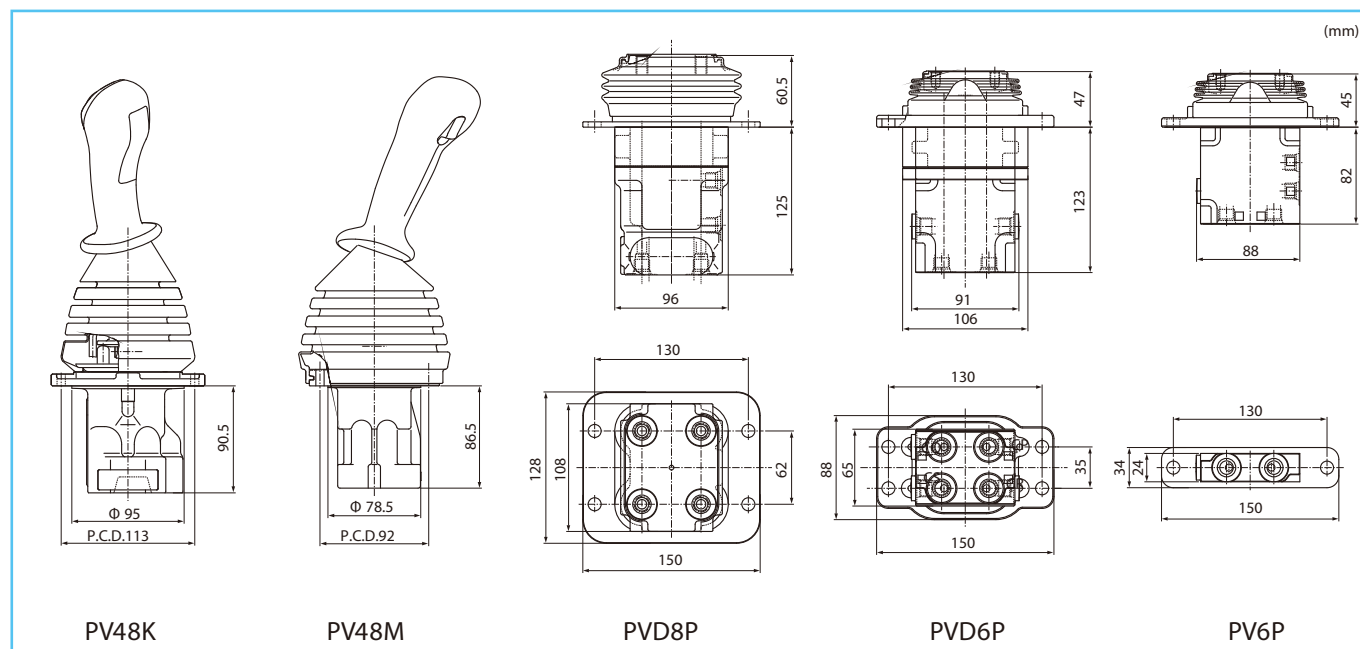
Features

1. Casing material is aluminum, so the weight is light.
2. The joystick type is light operational torque, and excellent response and stability of secondary pressure by adoption of differential diameter spool.
3. The ergonomic handle, which can have 5 switches at maximum, and the modulation handle, which can have a proportional switch, can be attached to the joystick type.
4. The pedal type with built-in damper is available.

Specifications

model	PV48K	PV48M	PVD8P	PVD6P	PV6P
					
inlet pressure (max) (MPa)	6.9				
output pressure (MPa)	0 ~ 2.9				
rated flow (L/min)	20	15	10	10	10
maximum lever angle (deg)	25.0	25.0	12.4	12.4	23.5
port size	G3/8 UNF9/16	G1/4 UNF9/16	G1/4 UNF9/16	G1/4 UNF9/16	G1/4 UNF9/16
main use	Excavator	Mini Excavator	Excavator	Mini Excavator	Rough Terrain Crane
features	Joy stick type (4direction)	Joy stick type (4direction)	Pedal for traveling with damper	Pedal for traveling with damper	Bankable type

Dimensions



Materials and specifications are subject to change without manufacturer's obligation.

As HANSA-TMP has a very extensive range of products and some products have a variety of applications, the information supplied may often only apply to specific situations.

If the catalogue does not supply all the information required, please contact HANSA-TMP.

In order to provide a comprehensive reply to queries we may require specific data regarding the proposed application.

Whilst every reasonable endeavour has been made to ensure accuracy, this publication cannot be considered to represent part of any contract, whether expressed or implied.

The data in this catalogue refer to the standard product.

The policy of HANSA-TMP consists of a continuous improvement of its products. It reserves the right to change the specifications of the different products whenever necessary and without giving prior information.



HANSA-TMP S.r.l.

Via M. L. King, 6 – 41122 Modena (ITALY)

Tel.: +39 059 415 711

Fax: +39 059 415 730

E-mail: hansatmp@hansatmp.it

Website: www.hansatmp.it

Certified Company

ISO 9001:2015 – ISO 14001:2015



Share Capital: € 300.000,00

VAT Number: IT01167360369

REA Number: MO-225785