



# HANSA-TMP

MANUFACTURING YOUR SUCCESS

HT 12 / A / 454 / 0621 / E

## Electromagnetic Clutches





## Contents

General Information.....	4 - 5
<b>Electromagnetic Clutches - 3 daNm</b>	
Series 30900-1      30900-2.....	6 - 7
Series 30900-1N      30900-2N.....	8 - 9
Series 30900-1N1      30900-2N1.....	10 - 11
<b>Electromagnetic Clutches - 10 daNm</b>	
Series 30933      30934.....	12 - 13
Series 30901      30903.....	14 - 15
Series 30901-1/7      30903-1/7.....	16 - 17
<b>Electromagnetic Clutches - 14 daNm</b>	
Series 30929      30930.....	18 - 19
Series 30980      30981.....	20 - 21
Series 30929-1/7      30930-1/7.....	22 - 23
<b>Electromagnetic Clutches - 21 daNm</b>	
Series 30990      30991.....	24 - 25
<b>Electromagnetic Clutches - 30 daNm</b>	
Series 30940/SF      30941/SF.....	26 - 28
Flanges.....	29 - 30

## General Information

### Electromagnetic Clutches

Running-in is required to obtain the rated torque values of electromagnetic clutches. Running-in is carried out by engaging and disengaging clutch at high speed several times with the pump in exhaust position.

During assembly, make sure that there are no oil or grease traces on pulley surfaces, these must be completely clean.

When assembling electric clutches with front driving flange, check for proper coupling allignment.

Do not exceed the rated torque because this would cause slippage of contact surface with consequent over-heating.

This stage must not last more than 5 seconds since coils could burn.

## General Information

### Electromagnetic Clutches

#### Product Overview

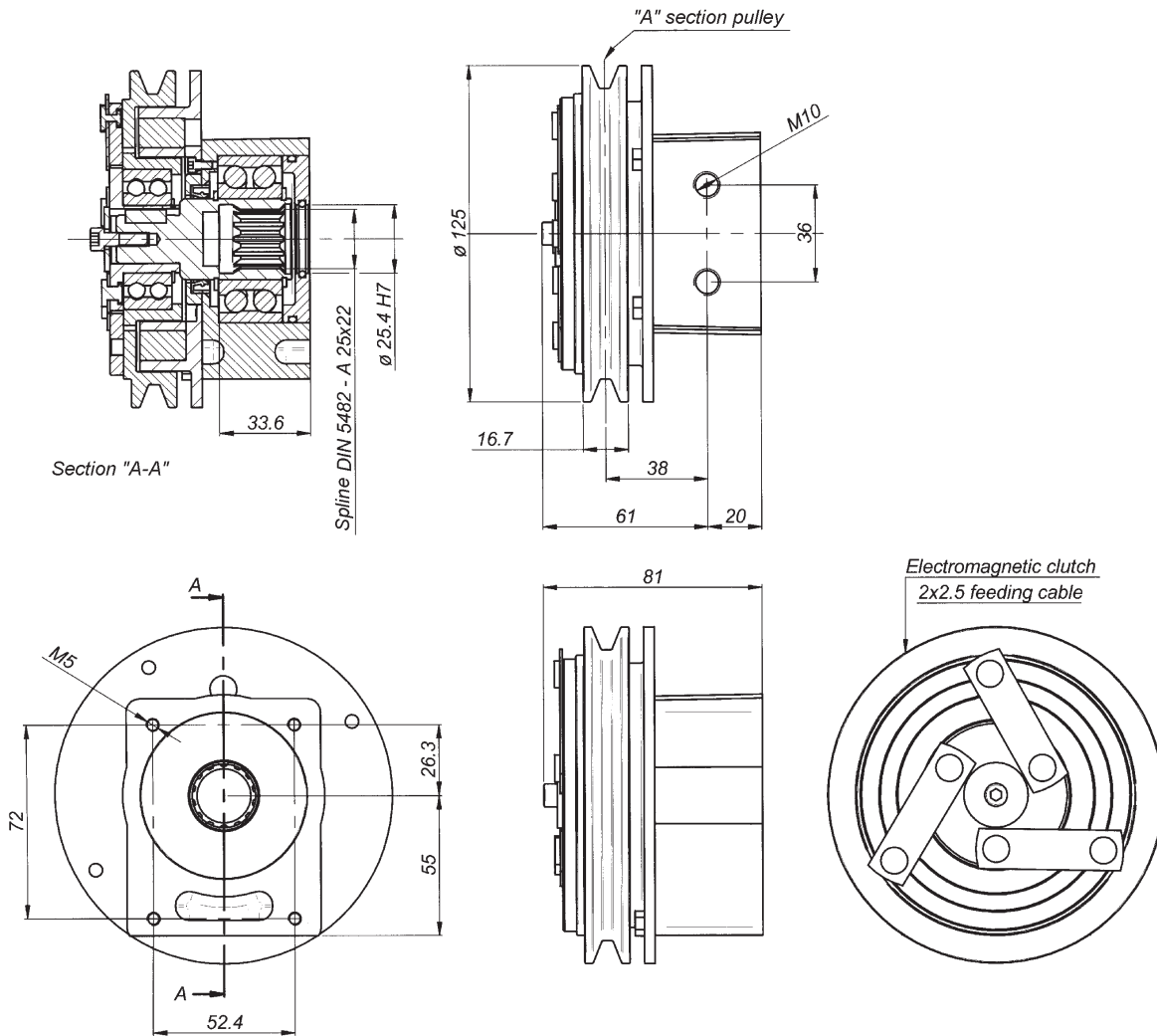
Electromagnetic clutches series	Voltage	Rated torque daNm	Pump flanges	Pulley
° 30900-1	12 V DC	3	Gr. 1	diam. 125 mm. 1 Belt Section A (old type)
° 30900-2	24 V DC			
30900-1/N	12 V DC	3	Gr. 1	diam. 125 mm. 1 Belt Section A (new type)
30900-2/N	24 V DC			
30900-1/N1	12 V DC	3	Gr. 1	diam. 125 mm. Belt 4 PLV
30900-2/N1	24 V DC			
30933	12 V DC	10	Gr. 1 - Gr. 2 - Gr. 3 Gr. 2 Bosch - Gr. 3 Bosch SAE A - SAE B	Front type
30934	24 V DC			
30901	12 V DC	10	Gr. 1 - Gr. 2 - Gr. 3 Gr. 2 Bosch - Gr. 3 Bosch SAE A - SAE B	diam. 153 mm. 2 Belt Section A
30903	24 V DC			
30901-1/7	12 V DC	10	Gr. 1 - Gr. 2 - Gr. 3 Gr. 2 Bosch - Gr. 3 Bosch SAE A - SAE B	diam. 152 mm. Belt 7 PLV
30903-1/7	24 V DC			
30929	12 V DC	14	Gr. 1 - Gr. 2 - Gr. 3 Gr. 2 Bosch - Gr. 3 Bosch SAE A - SAE B	diam. 153 mm. 2 Belt Section A
30930	24 V DC			
30980	12 V DC	14	Gr. 1 - Gr. 2 - Gr. 3 Gr. 2 Bosch - Gr. 3 Bosch SAE A - SAE B	diam. 178 mm. 2 Belt Section A
30981	24 V DC			
30929-1/7	12 V DC	14	Gr. 1 - Gr. 2 - Gr. 3 Gr. 2 Bosch - Gr. 3 Bosch SAE A - SAE B	diam. 152 mm. Belt 7 PLV
30930-1/7	24 V DC			
30990	12 V DC	21	Gr. 1 - Gr. 2 - Gr. 3 Gr. 2 Bosch - Gr. 3 Bosch SAE A - SAE B	diam. 186 mm. 2 Belt Section A
30991	24 V DC			
30940/SF	12 V DC	30	Gr. 2 - Gr. 3 - Gr. 3,5 - Gr. 4 Gr. 3 Bosch SAE A - SAE B - SAE C L.G. 20-35-50-75	diam. 229 mm. 2 Belt Section B
30941/SF	24 V DC			

Note: ° On request

**Electromagnetic Clutches - Torque 3 daNm (old type)**  
**Pump Group 1**  
**Single "A" Section Pulley**

**INSTALLATION DRAWING**

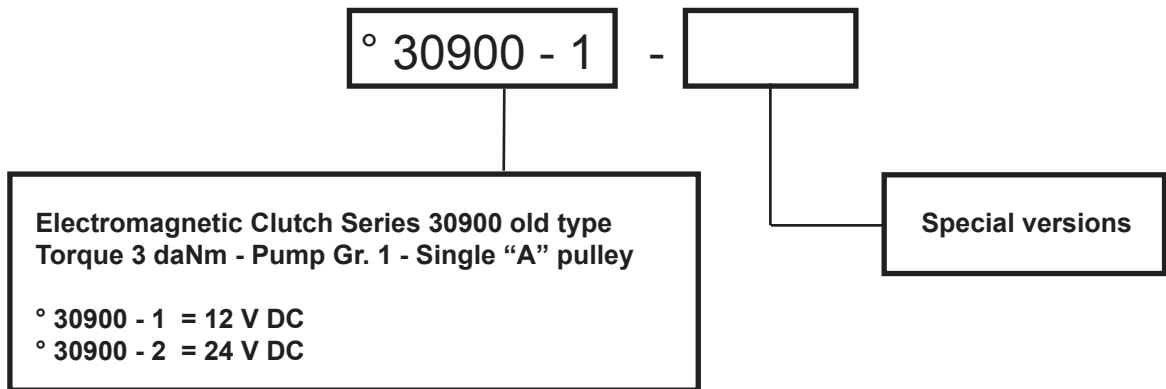
- ° 30900-1: 12 Volt
- ° 30900-2: 24 Volt



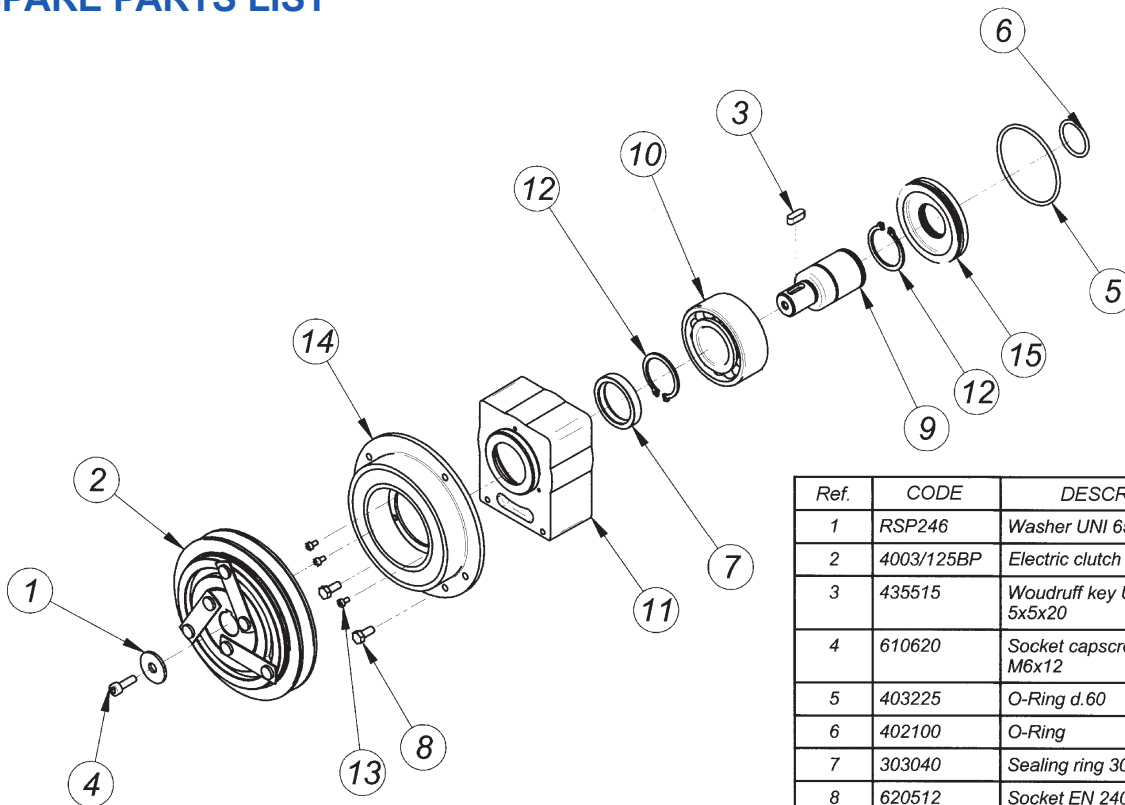
Nominal torque	3,0 daNm		Connection time	25 ms		
Static torque	4,5 daNm		Disconnection time	40 ms		
Dynamic torque	3,2 daNm	at 500 n/min.	Minimum time between two connections	20 sec		
	2,8 daNm	at 1000 n/min.				
	1,7 daNm	at 1500 n/min.				
	1,4 daNm	at 2000 n/min.	Max speed	5000 n/min.		
	1,2 daNm	at 2500 n/min.	Weight	3 Kg		
0,9 daNm	at 3000 n/min.					
Electric absorption	Resistance ( W )		Current ( A )		Power ( W )	
Temperature	20° C	120° C	20° C	120° C	20° C	120° C
12 V DC	5,7	7,9	2,1	1,6	25,2	18
24 V DC	21,7	30,7	1,1	0,8	26,5	19
All technical data are at 20°C / at 120° C the performance is 20% reduced. All electromagnetic clutches are reversible.						

## Electromagnetic Clutches - Torque 3 daNm (old type) Pump Group 1 Single "A" Section Pulley

### ORDER CODE



### SPARE PARTS LIST

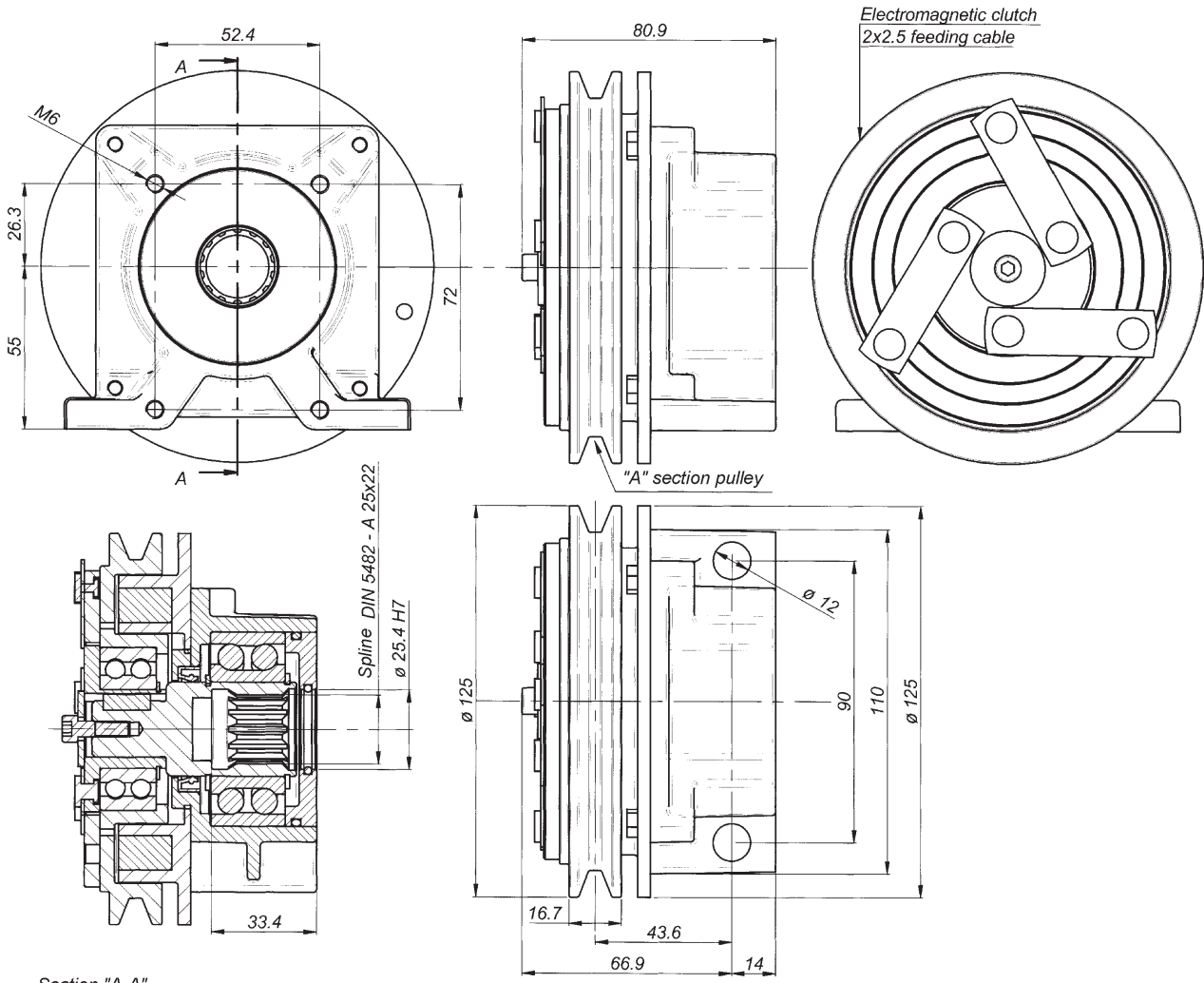


Ref.	CODE	DESCRIPTION	Q.ty
1	RSP246	Washer UNI 6593 - 6x24x2	1
2	4003/125BP	Electric clutch pulley	1
3	435515	Woudruff key UNI 6604 5x5x20	1
4	610620	Socket capscrew UNI 5931 M6x12	1
5	403225	O-Ring d.60	1
6	402100	O-Ring	1
7	303040	Sealing ring 30x40x7	1
8	620512	Socket EN 24017 M5x12	2
9	AC30900	Shaft	1
10	503206	Bearing SKF 3206	1
11	30009-3/V	Housing	1
12	903000	Snap ring UNI 7436 - 25	2
13	610306	Socket capscrew M3x6 UNI 5931	3
14	401203/125B 402403/125B	Coil	1
15	COP-062	Ring	1



**Electromagnetic Clutches - Torque 3 daNm (new type)**  
**Pump Group 1**  
**Single "A" Section Pulley**

**INSTALLATION DRAWING**  
**30900-1/N: 12 Volt**  
**30900-2/N: 24 Volt**



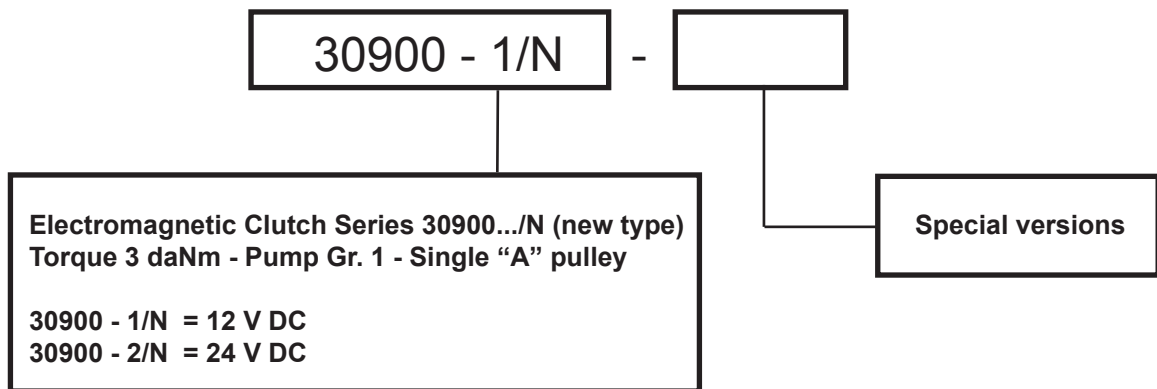
Section "A-A"

Nominal torque	3,0 daNm		Connection time	25 ms		
Static torque	4,5 daNm		Disconnection time	40 ms		
Dynamic torque	3,2 daNm	at 500 n/min.	Minimum time between two connections	20 sec		
	2,8 daNm	at 1000 n/min.				
	1,7 daNm	at 1500 n/min.				
	1,4 daNm	at 2000 n/min.	Max speed	5000 n/min.		
	1,2 daNm	at 2500 n/min.	Weight	3 Kg		
	0,9 daNm	at 3000 n/min.				
Electric absorption	Resistance ( W )		Current ( A )		Power ( W )	
	20° C	120° C	20° C	120° C	20° C	120° C
12 V DC	5,7	7,9	2,1	1,6	25,2	18
24 V DC	21,7	30,7	1,1	0,8	26,5	19
All technical data are at 20°C / at 120° C the performance is 20% reduced. All electromagnetic clutches are reversible.						

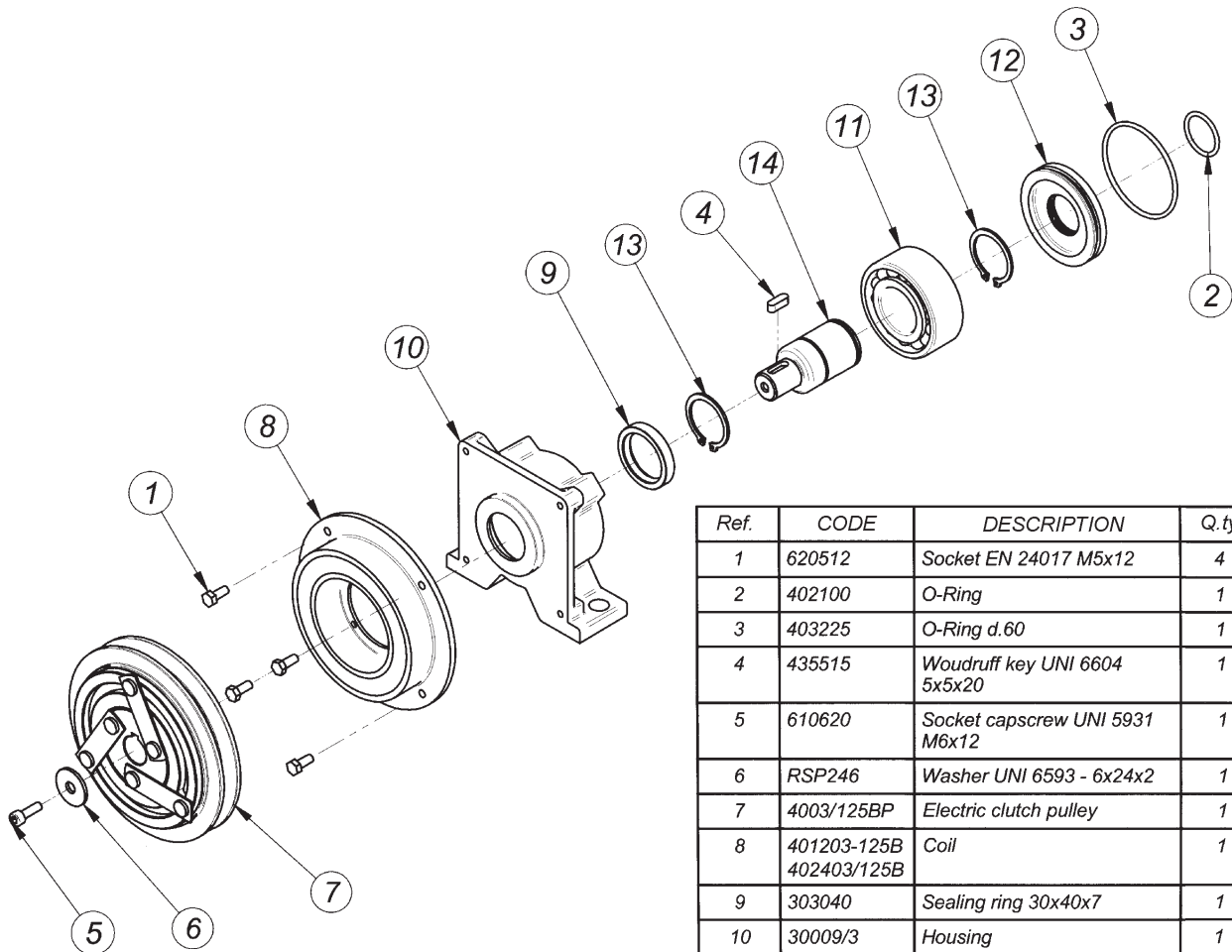


**Electromagnetic Clutches Series - Torque 3 daNm (new type)**  
**Pump Group 1**  
**Single "A" Section Pulley**

**ORDER CODE**



**SPARE PARTS LIST**



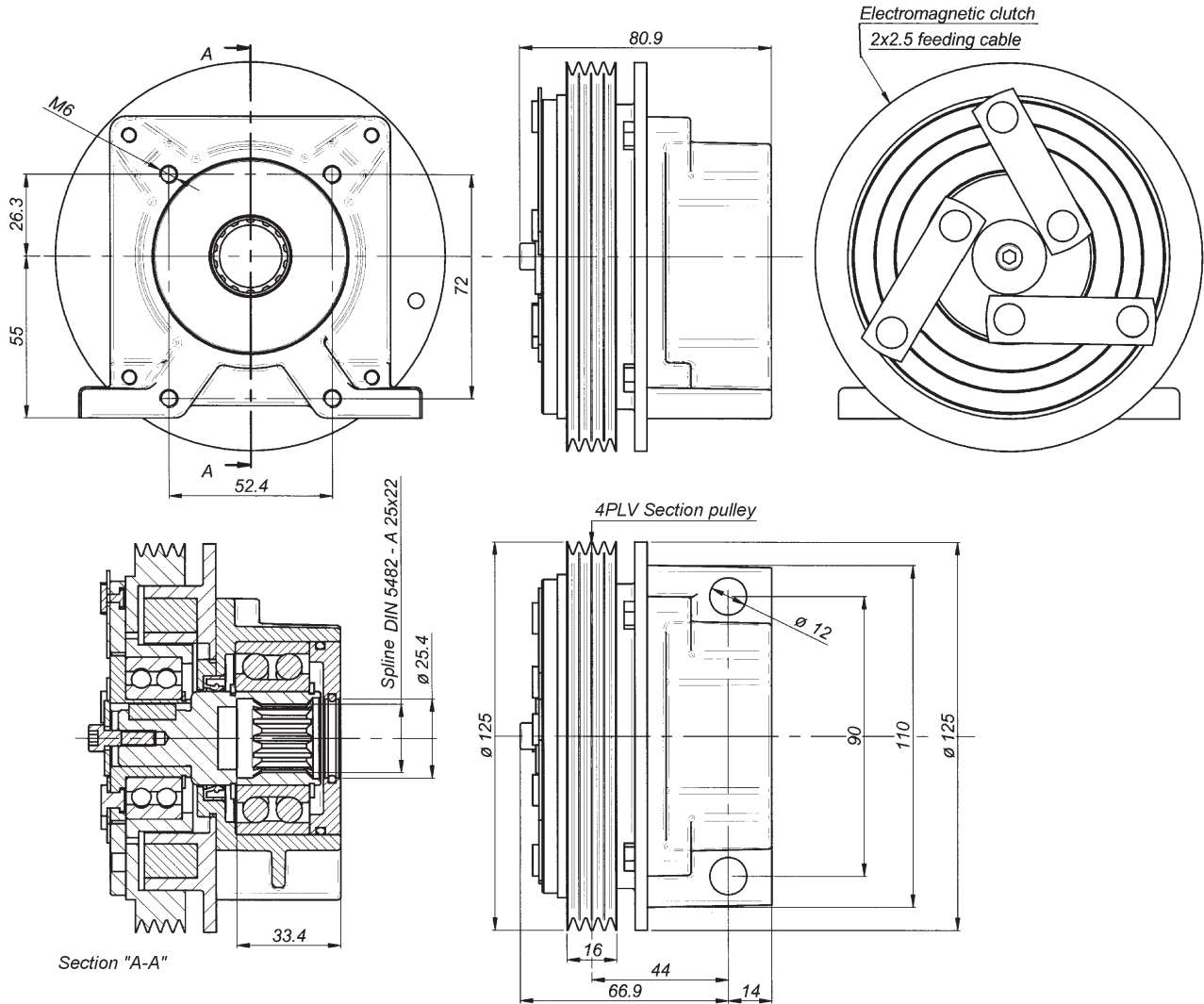
Ref.	CODE	DESCRIPTION	Q.ty
1	620512	Socket EN 24017 M5x12	4
2	402100	O-Ring	1
3	403225	O-Ring d.60	1
4	435515	Woudruff key UNI 6604 5x5x20	1
5	610620	Socket capscrew UNI 5931 M6x12	1
6	RSP246	Washer UNI 6593 - 6x24x2	1
7	4003/125BP	Electric clutch pulley	1
8	401203-125B 402403/125B	Coil	1
9	303040	Sealing ring 30x40x7	1
10	30009/3	Housing	1
11	503206	Bearing SKF 3206	1
12	COP-062	Ring	1
13	903000	Snap ring UNI 7436 - 25	2
14	AC30900	Shaft	1

**Electromagnetic Clutches - Torque 3 daNm (new type)**  
**Pump Group 1**  
**4PLV Section Pulley**

**INSTALLATION DRAWING**

**30900-1/N1: 12 Volt**

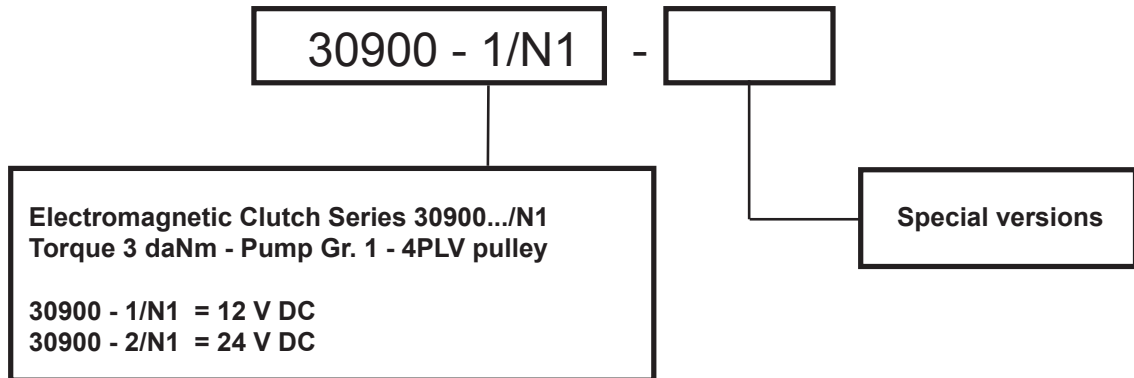
**30900-2/N1: 24 Volt**



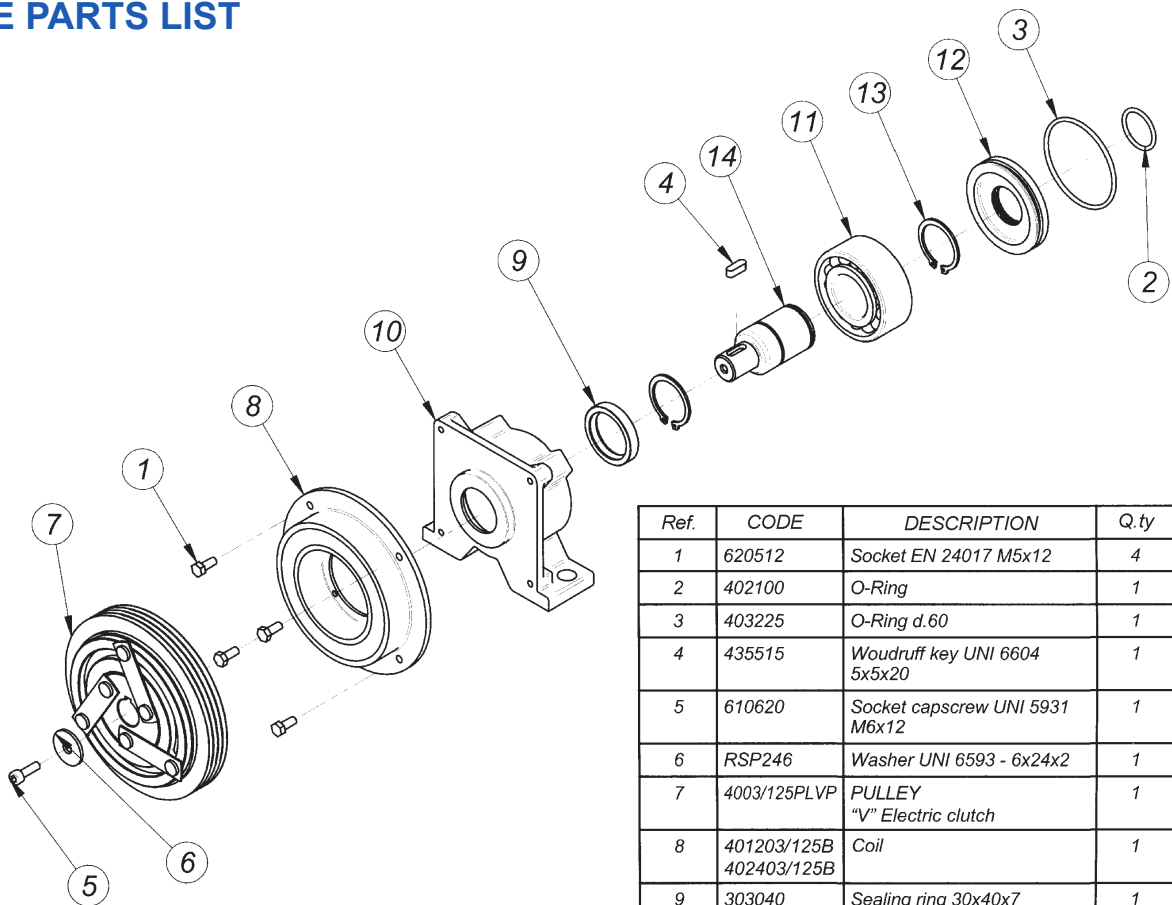
Nominal torque	3,0 daNm		Connection time		25 ms	
Static torque	4,5 daNm		Disconnection time		40 ms	
Dynamic torque	3,2 daNm	at 500 n/min.	Minimum time between two connections		20 sec	
	2,8 daNm	at 1000 n/min.				
	1,7 daNm	at 1500 n/min.				
	1,4 daNm	at 2000 n/min.	Max speed		5000 n/min.	
	1,2 daNm	at 2500 n/min.	Weight		3 Kg	
0,9 daNm	at 3000 n/min.					
Electric absorption	Resistance ( W )		Current ( A )		Power ( W )	
	20° C	120° C	20° C	120° C	20° C	120° C
12 V DC	5,7	7,9	2,1	1,6	25,2	18
24 V DC	21,7	30,7	1,1	0,8	26,5	19
All technical data are at 20°C / at 120° C the performance is 20% reduced. All electromagnetic clutches are reversible.						

**Electromagnetic Clutches - Torque 3 daNm (new type)**  
**Pump Group 1**  
**4PLV Section Pulley**

**ORDER CODE**



**SPARE PARTS LIST**



Ref.	CODE	DESCRIPTION	Q.ty
1	620512	Socket EN 24017 M5x12	4
2	402100	O-Ring	1
3	403225	O-Ring d.60	1
4	435515	Woudruff key UNI 6604 5x5x20	1
5	610620	Socket capscrew UNI 5931 M6x12	1
6	RSP246	Washer UNI 6593 - 6x24x2	1
7	4003/125PLVP	PULLEY "V" Electric clutch	1
8	401203/125B 402403/125B	Coil	1
9	303040	Sealing ring 30x40x7	1
10	30009/3	Housing	1
11	503206	Bearing SKF 3206	1
12	COP-062	Ring	1
13	903000	Snap ring UNI 7436 - 25	2
14	AC30900	Shaft	1

## Front type Electromagnetic Clutches - Torque 10 daNm

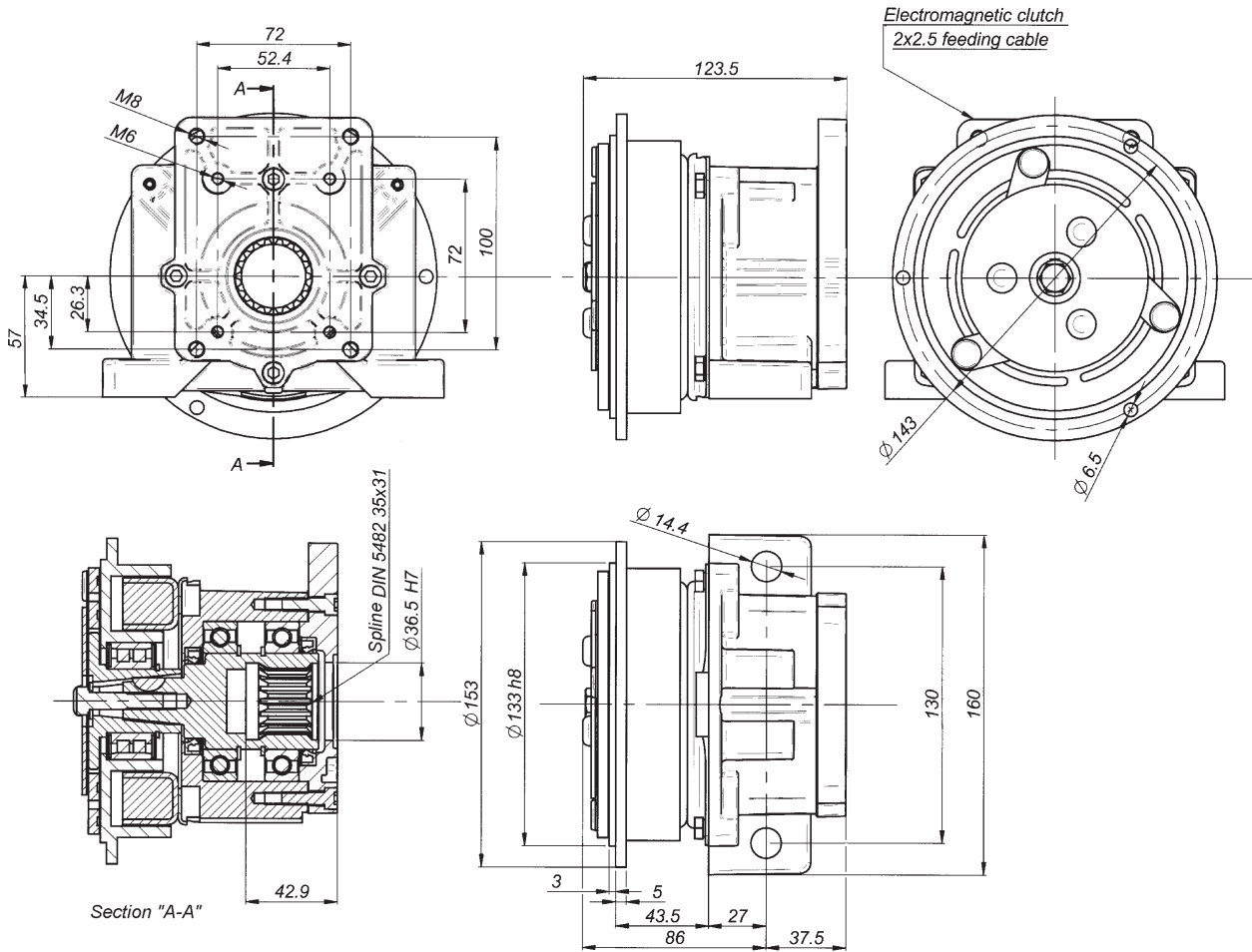
Pump Group: Gr. 1-2-3 - Gr. 2 Bosch - Gr. 3 Bosch - SAE A - SAE B

Without Pulley

### INSTALLATION DRAWING

30933: 12 Volt

30934: 24 Volt



Nominal torque	7,8 daNm		Connection time	25 ms		
Static torque	12,5 daNm		Disconnection time	40 ms		
Dynamic torque	8,5 daNm	at 500 n/min.	Minimum time between two connections	20 sec		
	7,0 daNm	at 1000 n/min.				
	4,2 daNm	at 1500 n/min.	Max speed	5000 n/min.		
	3,5 daNm	at 2000 n/min.				
	2,7 daNm	at 2500 n/min.				
	2,5 daNm	at 3000 n/min.	Weight	5 Kg		
Electric absorption	Resistance (Ω)		Current (A)		Power (W)	
	20° C	120° C	20° C	120° C	20° C	120° C
12 V DC	4,00	5,60	3,33	2,00	40,00	24,00
24 V DC	20,00	28,00	1,26	0,77	30,30	18,18

All technical data are at 20° C / at 120 °C the performance is 20% reduced.  
All electromagnetic clutches are reversible.

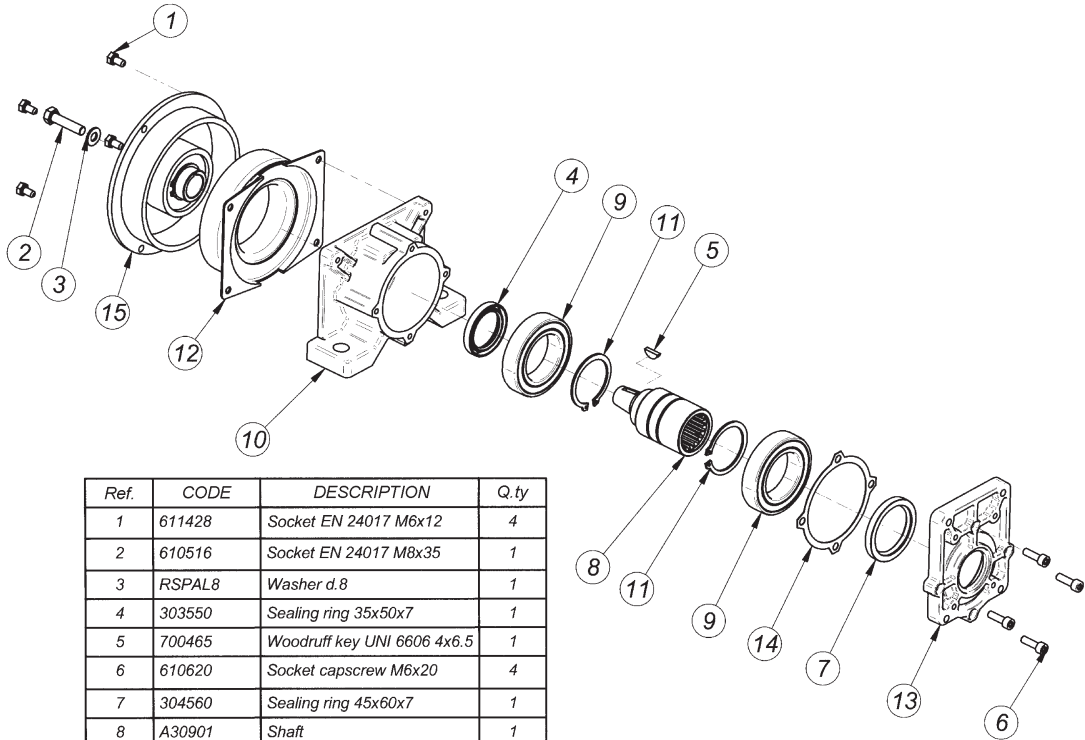
## Front type Electromagnetic Clutches - Torque 10 daNm Pump Group: Gr. 1-2-3 - Gr. 2 Bosch - Gr. 3 Bosch - SAE A - SAE B Without Pulley

### ORDER CODE

			30935	-	30803	-	[ ]		
<b>Electromagnetic Clutch Front Type</b> Torque 10 daNm - Without pulley				<b>Flanges</b> (see page 29)					
<b>Pump Flange</b>	<b>Voltage</b>	<b>Code</b>							
Gr. 1 - 2	12 V DC	30933	- - Gr. 1 - 2						
Gr. 1 - 2	24 V DC	30934							
Gr. 2 Bosch	12 V DC	30933/2B	30817 - Gr. 2 Bosch						
Gr. 2 Bosch	24 V DC	30934/2B							
Gr. 3	12 V DC	30935	30803 - Gr. 3						
Gr. 3	24 V DC	30936							
Gr. 3 Bosch	12 V DC	30933/3B	30821 - Gr. 3 Bosch						
Gr. 3 Bosch	24 V DC	30934/3B							
SAE A	12 V DC	30933/SA	30420.3 - SAE A						
SAE A	24 V DC	30934/SA							
SAE B	12 V DC	30933/SB	30420.1 - SAE B						
SAE B	24 V DC	30934/SB							

Special versions

### SPARE PARTS LIST



Ref.	CODE	DESCRIPTION	Q.ty
1	611428	Socket EN 24017 M6x12	4
2	610516	Socket EN 24017 M8x35	1
3	RSPAL8	Washer d.8	1
4	303550	Sealing ring 35x50x7	1
5	700465	Woodruff key UNI 6606 4x6.5	1
6	610620	Socket capscrew M6x20	4
7	304560	Sealing ring 45x60x7	1
8	A30901	Shaft	1
9	506009/2Z	Bearing SKF 6009 2RS	2
10	30009.1	Housing	1
11	904500	Snap ring d.45	2
12	401210/FRB 402410/FRB	Coil	1
13	30900.1	Flange for pumps Gr 1 - 2	1
14	30009.1.1	Gasket	1
15	4010/FRBP	Electric clutch	1

## Electromagnetic Clutches - Torque 10 daNm

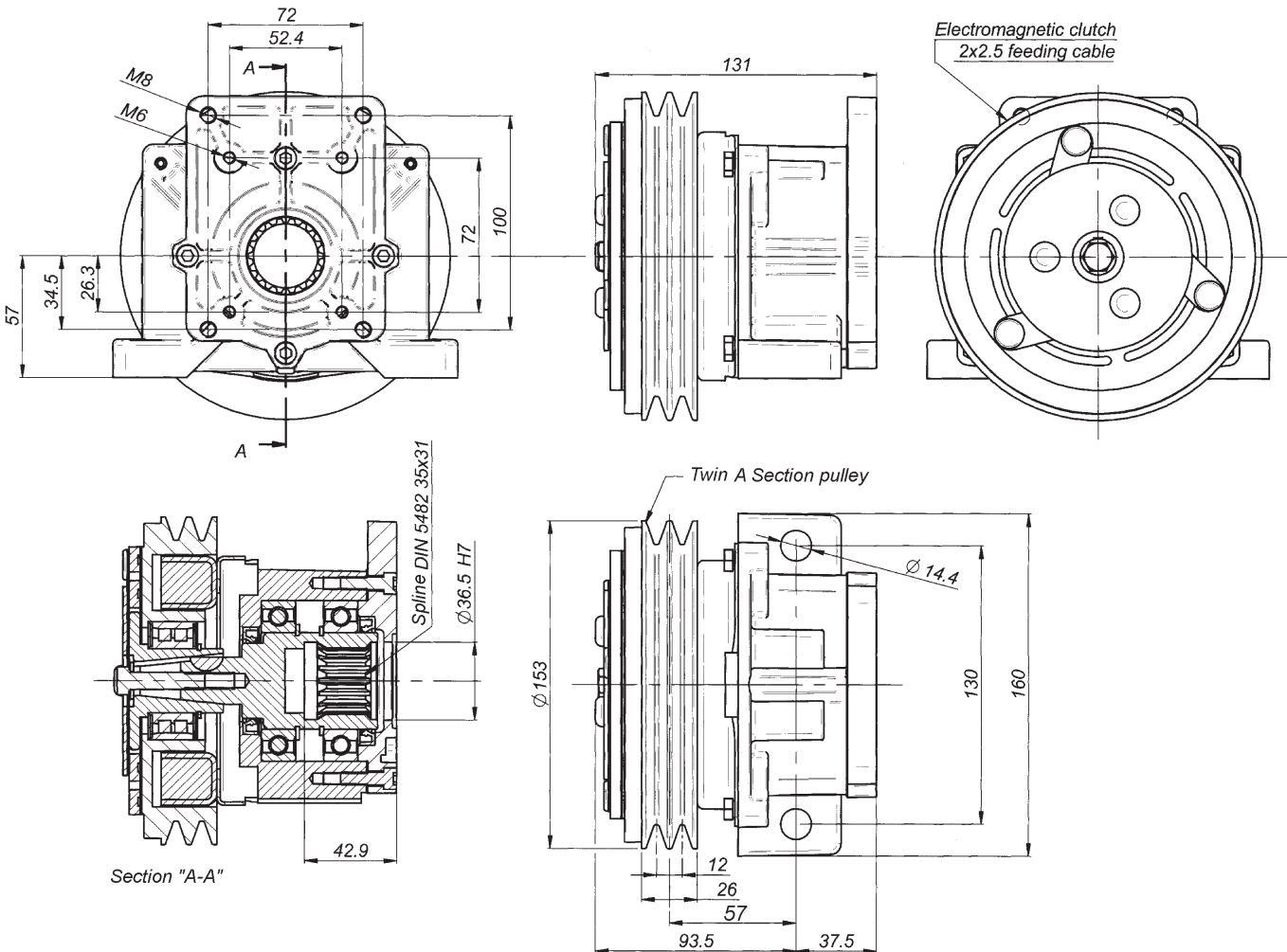
Pump Group: Gr. 1-2-3 - Gr. 2 Bosch - Gr. 3 Bosch - SAE A - SAE B

### Twin "A" Section Pulley

## INSTALLATION DRAWING

30901: 12 Volt

30903: 24 Volt



Nominal torque	7,8 daNm		Connection time	25 ms		
Static torque	12,5 daNm		Disconnection time	40 ms		
Dynamic torque	8,5 daNm	at 500 n/min.	Minimum time between two connections	20 sec.		
	7,0 daNm	at 1000 n/min.				
	4,2 daNm	at 1500 n/min.				
	3,5 daNm	at 2000 n/min.	Max speed	5000 n/min.		
	2,7 daNm	at 2500 n/min.	Weight	5,5 Kg		
2,5 daNm	at 3000 n/min.					
Electric absorption	Resistance ( $\Omega$ )		Current ( A )		Power ( W )	
	20° C	120° C	20° C	120° C	20° C	120° C
12 V DC	4,00	5,60	3,33	2,00	40,00	24,00
24 V DC	20,00	28,00	1,26	0,77	30,30	18,18
All technical data are at 20°C / at 120 °C the performance is 20% reduced. All electromagnetic clutches are reversible.						

## Electromagnetic Clutches - Torque 10 daNm

Pump Group: Gr. 1-2-3 - Gr. 2 Bosch - Gr. 3 Bosch - SAE A - SAE B

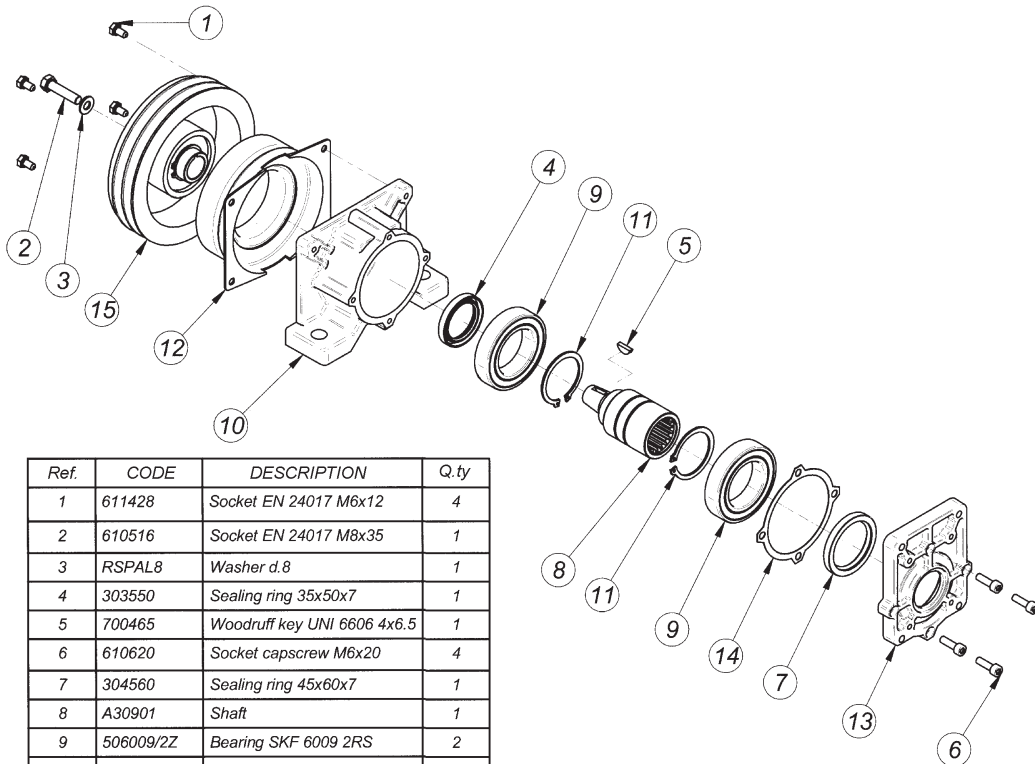
## Twin "A" Section Pulley

### ORDER CODE

			30909	-	30803	-	[ ]	
<b>Electromagnetic Clutch</b> Torque 10 daNm - Twin "A" pulley			<b>Flanges</b> (see page 29)					
<b>Pump Flange</b>	<b>Voltage</b>	<b>Code</b>						
Gr. 1 - 2	12 V DC	30901						
Gr. 1 - 2	24 V DC	30903	- - Gr 1 - 2					
Gr. 2 Bosch	12 V DC	30917	30817 - Gr. 2 Bosch					
Gr. 2 Bosch	24 V DC	30919						
Gr. 3	12 V DC	30909	30803 - Gr 3					
Gr. 3	24 V DC	30911						
Gr. 3 Bosch	12 V DC	30925	30821 - Gr. 3 Bosch					
Gr. 3 Bosch	24 V DC	30927						
SAE A	12 V DC	30901/SA	30420.3 - SAE A					
SAE A	24 V DC	30903/SA						
SAE B	12 V DC	30901/SB	30420.1 - SAE B					
SAE B	24 V DC	30903/SB						

Special versions

### SPARE PARTS LIST



Ref.	CODE	DESCRIPTION	Q.ty
1	611428	Socket EN 24017 M6x12	4
2	610516	Socket EN 24017 M8x35	1
3	RSPAL8	Washer d.8	1
4	303550	Sealing ring 35x50x7	1
5	700465	Woodruff key UNI 6606 4x6.5	1
6	610620	Socket capscrew M6x20	4
7	304560	Sealing ring 45x60x7	1
8	A30901	Shaft	1
9	506009/2Z	Bearing SKF 6009 2RS	2
10	30009.1	Housing	1
11	904500	Snap ring d.45	2
12	401210/153 402410/153	Coil	1
13	30900.1	Flange for pumps Gr 1 - 2	1
14	30009.1.1	Gasket	1
15	4010/153P	Electric clutch	1



## Electromagnetic Clutches - Torque 10 daNm

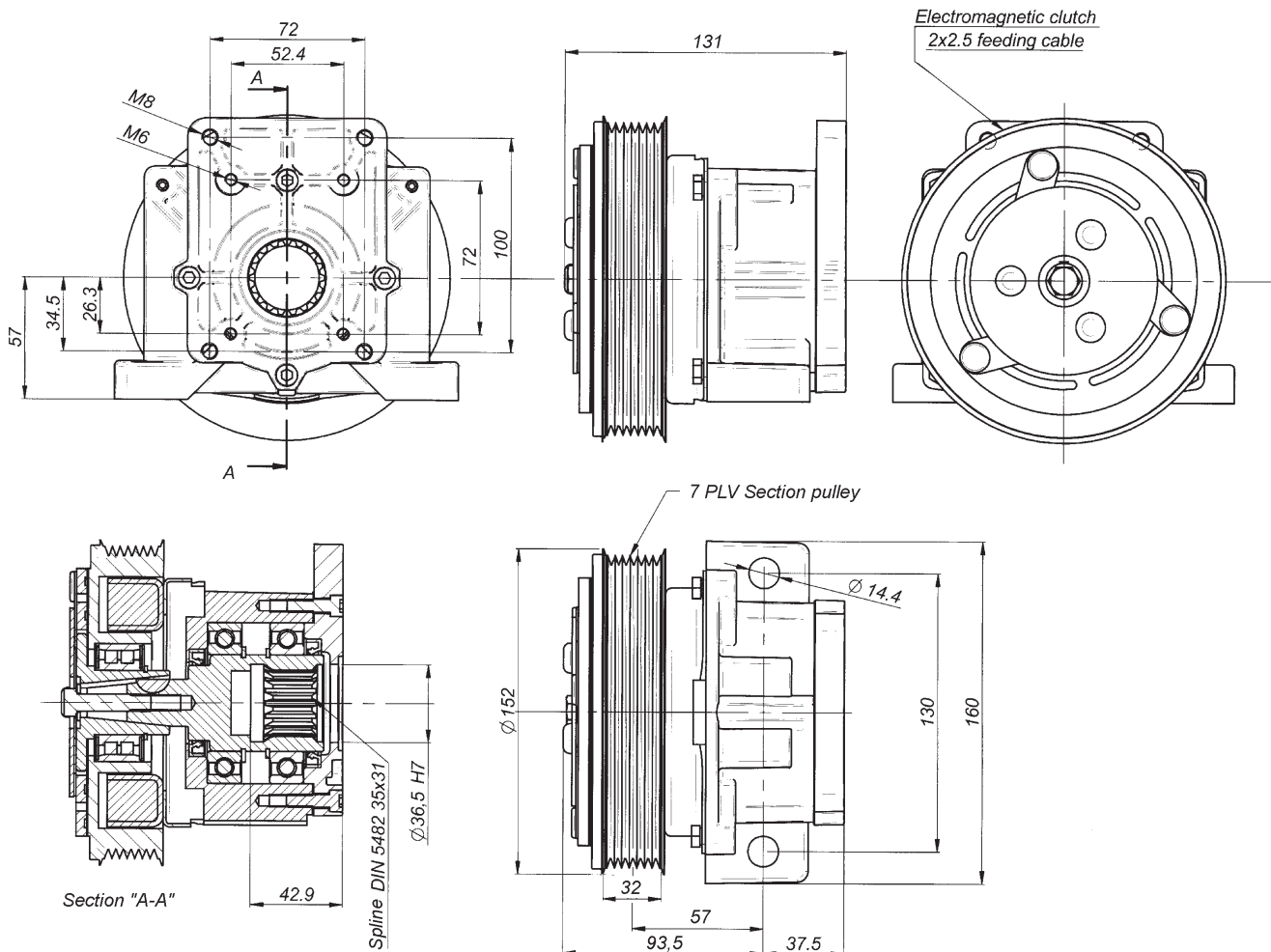
Pump Group: Gr. 1-2-3 - Gr. 2 Bosch - Gr. 3 Bosch - SAE A - SAE B

7 PLV Section Pulley

### INSTALLATION DRAWING

30901-1/7: 12 Volt

30903-1/7: 24 Volt



Nominal torque	7,8 daNm	Connection time	25 ms			
Static torque	12,5 daNm	Disconnection time	40 ms			
Dynamic torque	8,5 daNm	at 500 n/min.	Minimum time between two connections			
	7,0 daNm	at 1000 n/min.				
	4,2 daNm	at 1500 n/min.				
	3,5 daNm	at 2000 n/min.	Max speed	5000 n/min.		
	2,7 daNm	at 2500 n/min.	Weight	5,5 Kg		
2,5 daNm	at 3000 n/min.					
Electric absorption	Resistance (Ω)		Current (A)		Power (W)	
	20° C	120° C	20° C	120° C	20° C	120° C
12 V DC	4,00	5,60	3,33	2,00	40,00	24,00
24 V DC	20,00	28,00	1,26	0,77	30,30	18,18
All technical data are at 20°C / at 120 °C the performance is 20% reduced. All electromagnetic clutches are reversible.						

## Electromagnetic Clutches - Torque 10 daNm

Pump Group: Gr. 1-2-3 - Gr. 2 Bosch - Gr. 3 Bosch - SAE A - SAE B

7 PLV Section Pulley

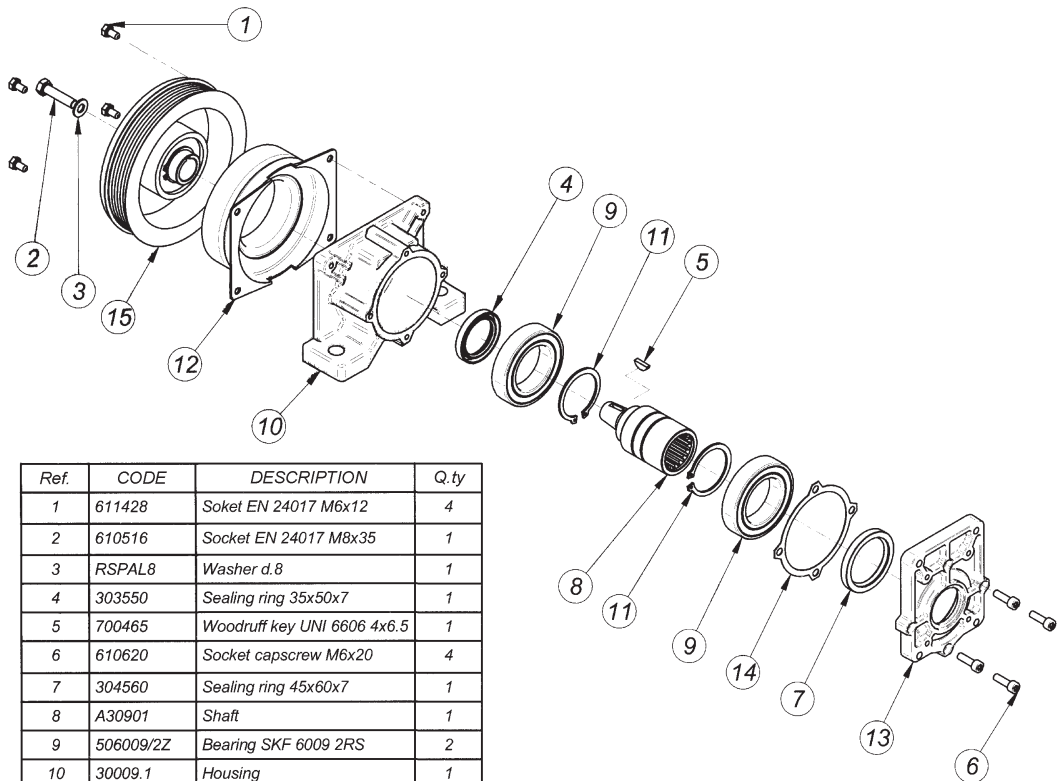
### ORDER CODE

30909-1/7 - 30803 -

Electromagnetic Clutch Torque 10 daNm - 7 PLV pulley			Flanges (see page 29)
Pump Flange	Voltage	Code	
Gr. 1 - 2	12 V DC	30901-1/7	- - Gr. 1 - 2
Gr. 1 - 2	24 V DC	30903-1/7	
Gr. 2 Bosch	12 V DC	30917-1/7	30817 - Gr. 2 Bosch
Gr. 2 Bosch	24 V DC	30919-1/7	
Gr. 3	12 V DC	30909-1/7	30803 - Gr. 3
Gr. 3	24 V DC	30911-1/7	
Gr. 3 Bosch	12 V DC	30925-1/7	30821 - Gr. 3 Bosch
Gr. 3 Bosch	24 V DC	30927-1/7	
SAE A	12 V DC	30901-1/SA	30420.3 - SAE A
SAE A	24 V DC	30903-1/SA	
SAE B	12 V DC	30901-1/7/SB	30420.1 - SAE B
SAE B	24 V DC	30903-1/7/SB	

Special versions

### SPARE PARTS LIST



Ref.	CODE	DESCRIPTION	Q.ty
1	611428	Soket EN 24017 M6x12	4
2	610516	Socket EN 24017 M8x35	1
3	RSPAL8	Washer d.8	1
4	303550	Sealing ring 35x50x7	1
5	700465	Woodruff key UNI 6606 4x6.5	1
6	610620	Socket capscrew M6x20	4
7	304560	Sealing ring 45x60x7	1
8	A30901	Shaft	1
9	506009/2Z	Bearing SKF 6009 2RS	2
10	30009.1	Housing	1
11	904500	Snap ring d.45	2
12	401210/PLV 402410/PLV	Coil	1
13	30900.1	Flange for pumps Gr 1 - 2	1
14	30009.1.1	Gasket	1
15	4010/PLV 7	Electric clutch PLV	1

## Electromagnetic Clutches - Torque 14 daNm

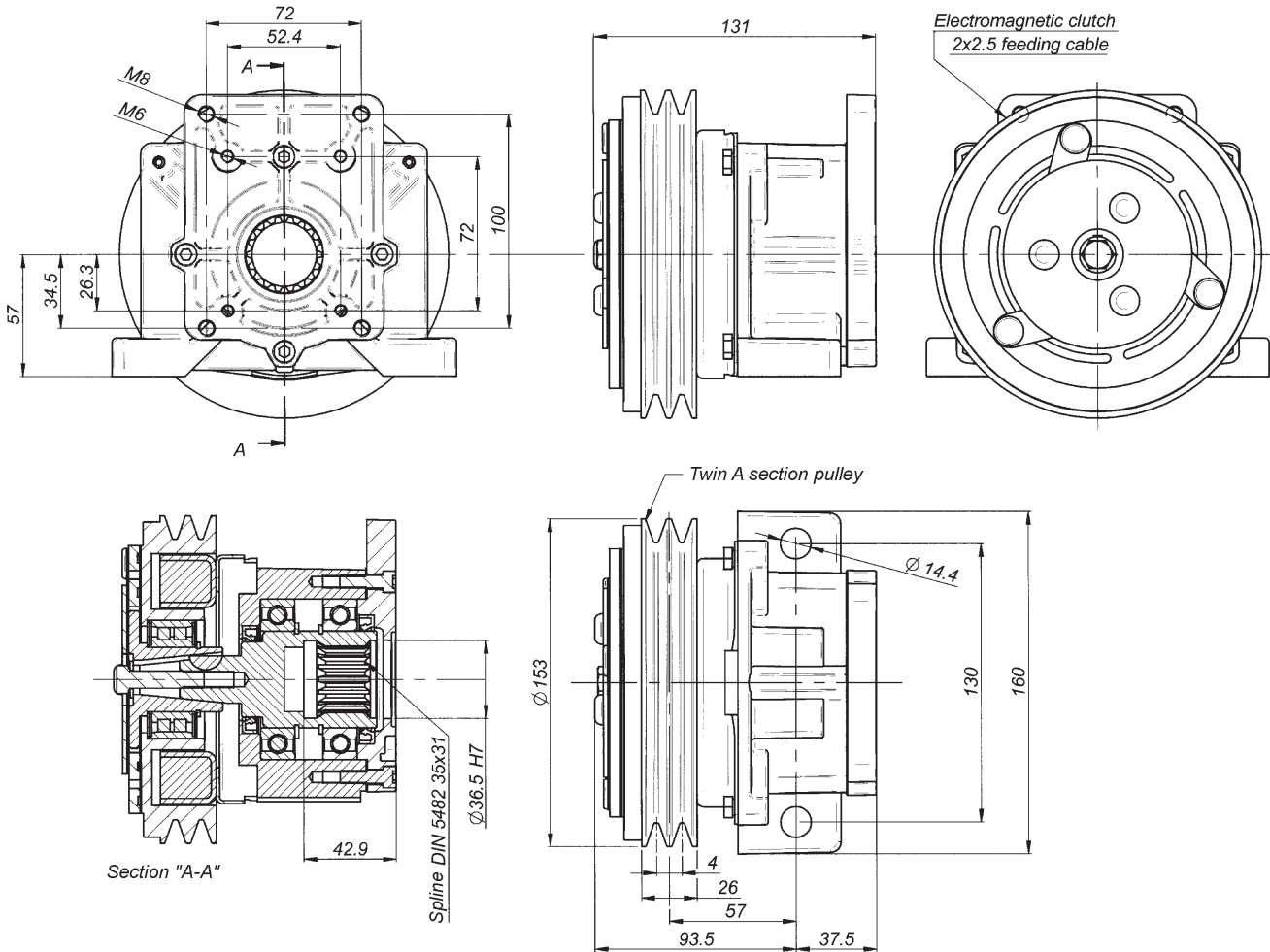
Pump Group: Gr. 1-2-3 - Gr. 2 Bosch - Gr. 3 Bosch - SAE A - SAE B

Twin "A" Section Pulley diam. 153

### INSTALLATION DRAWING

30929: 12 Volt

30930: 24 Volt



Nominal torque	11,8 daNm		Connection time	25 ms		
Static torque	14,0 daNm		Disconnection time	40 ms		
Dynamic torque	12,5 daNm	at 500 n/min.	Minimum time between two connections	20 sec		
	11,0 daNm	at 1000 n/min.				
	8,2 daNm	at 1500 n/min.				
	7,5 daNm	at 2000 n/min.				
	6,7 daNm	at 2500 n/min.	Max speed	5000 n/min.		
	6,5 daNm	at 3000 n/min.	Weight	5,5 Kg		
Electric absorption	Resistance (Ω)		Current (A)		Power (W)	
	20° C	120° C	20° C	120° C	20° C	120° C
12 V DC	4,00	5,60	3,33	2,00	40,00	24,00
24 V DC	20,00	28,00	1,26	0,77	30,30	18,18
All technical data are at 20°C / at 120 °C the performance is 20% reduced. All electromagnetic clutches are reversible.						

## Electromagnetic Clutches - Torque 14 daNm

Pump Group: Gr. 1-2-3 - Gr. 2 Bosch - Gr. 3 Bosch - SAE A - SAE B

Twin "A" Section Pulley diam. 153

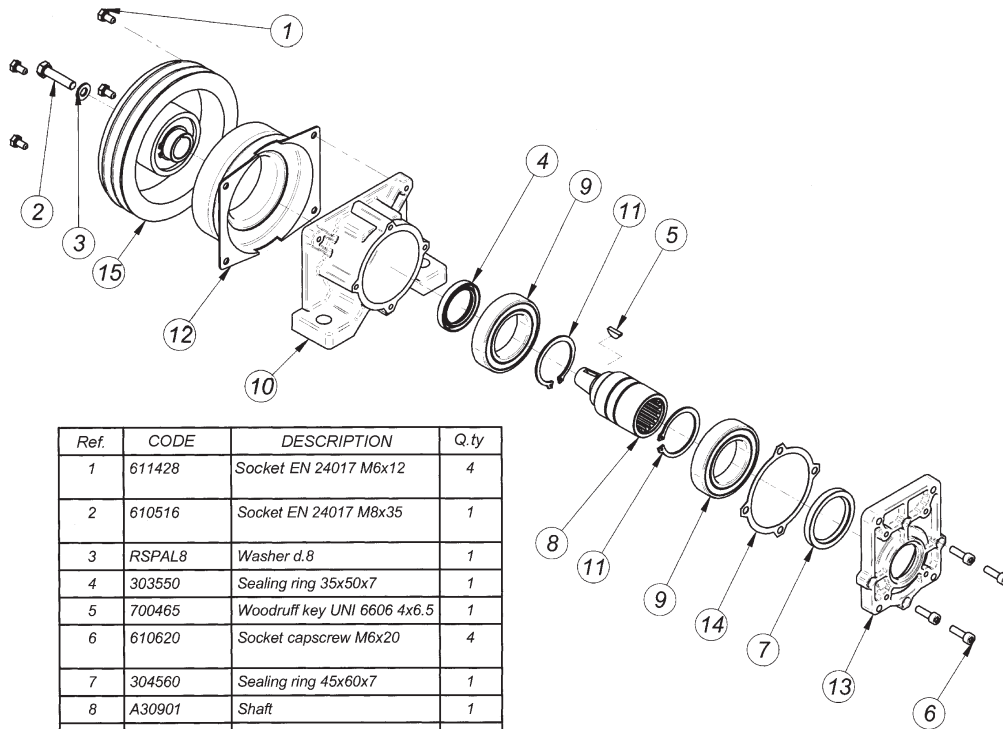
### ORDER CODE

30931 - 30803 -

Electromagnetic Clutch Torque 14 daNm - Twin "A" Pulley diam. 153			Flanges (see page 29)
Pump Flange	Voltage	Code	
Gr. 1 - 2	12 V DC	30929	- - Gr. 1 - 2
Gr. 1 - 2	24 V DC	30930	
Gr. 2 Bosch	12 V DC	30929/2B	30817 - Gr. 2 Bosch
Gr. 2 Bosch	24 V DC	30930/2B	
Gr. 3	12 V DC	30931	30803 - Gr. 3
Gr. 3	24 V DC	30932	
Gr. 3 Bosch	12 V DC	30931/3B	30821 - Gr. 3 Bosch
Gr. 3 Bosch	24 V DC	30932/3B	
SAE A	12 V DC	30929/SA	30420.3 - SAE A
SAE A	24 V DC	30930/SA	
SAE B	12 V DC	30929/SB	30420.1 - SAE B
SAE B	24 V DC	30930/SB	

Special versions

### SPARE PARTS LIST



Ref.	CODE	DESCRIPTION	Q.ty
1	611428	Socket EN 24017 M6x12	4
2	610516	Socket EN 24017 M8x35	1
3	RSPAL8	Washer d.8	1
4	303550	Sealing ring 35x50x7	1
5	700465	Woodruff key UNI 6606 4x6.5	1
6	610620	Socket capscrew M6x20	4
7	304560	Sealing ring 45x60x7	1
8	A30901	Shaft	1
9	506009/2Z	Bearing SKF 6009 2RS	2
10	30009.1	Housing	1
11	904500	Snap ring d.45	2
12	401214/153 402414/153	Coil	1
13	30900.1	Flange for pumps Gr 1 - 2	1
14	30009.1.1	Gasket	1
15	4014/153P	Electric clutch	1

## Electromagnetic Clutches - Torque 14 daNm

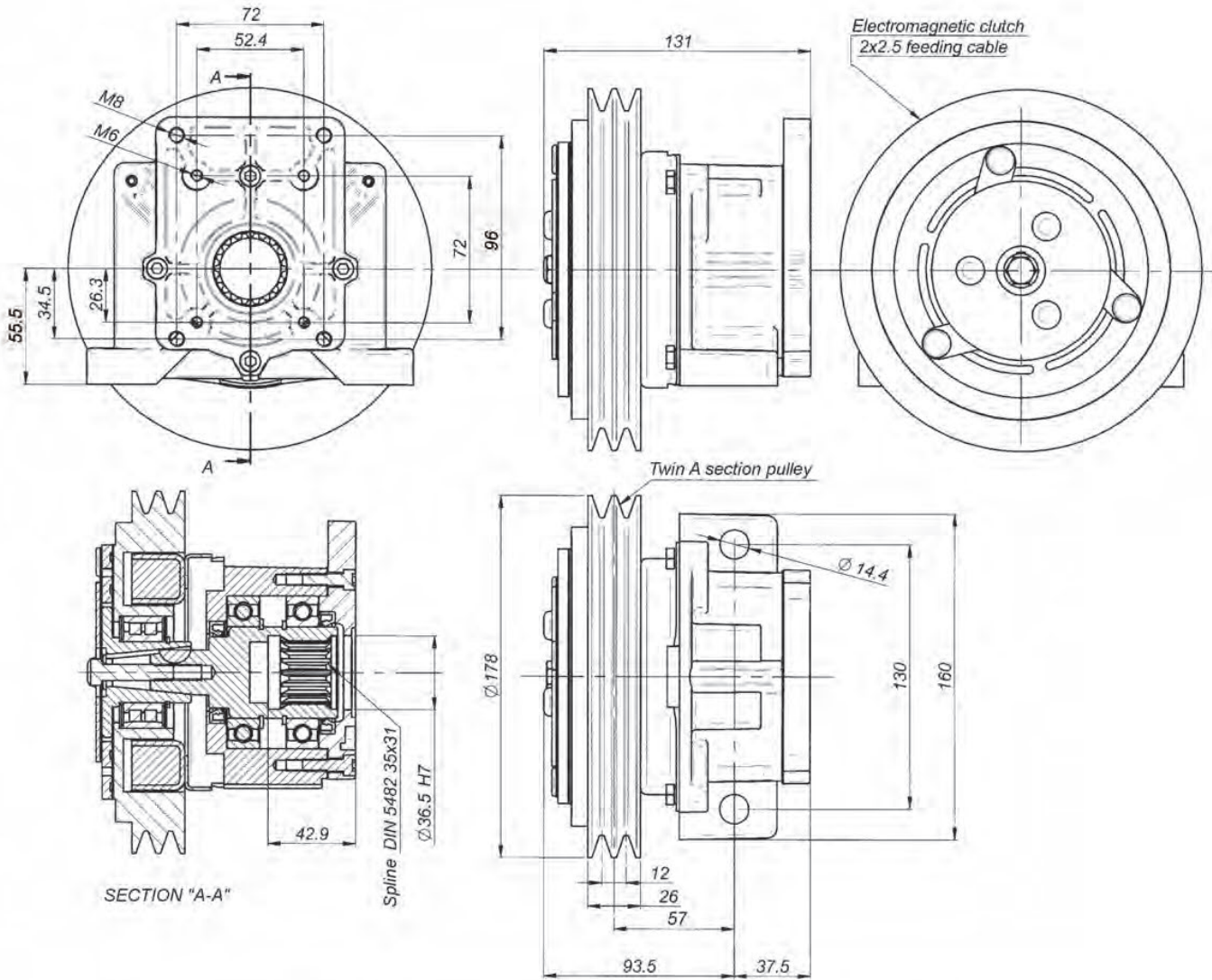
Pump Group: Gr. 1-2-3 - Gr. 2 Bosch - Gr. 3 Bosch - SAE A - SAE B

Twin "A" Section Pulley diam. 178

### INSTALLATION DRAWING

30980: 12 Volt

30981: 24 Volt



Nominal torque	11,8 daNm		Connection time	25 ms		
Static torque	14,0 daNm		Disconnection time	40 ms		
Dynamic torque	12,5 daNm	at 500 n/min.	Minimum time between two connections	20 sec		
	11,0 daNm	at 1000 n/min.				
	8,2 daNm	at 1500 n/min.				
	7,5 daNm	at 2000 n/min.	Max speed	5000 n/min.		
	6,7 daNm	at 2500 n/min.	Weight	5,8 Kg		
6,5 daNm	at 3000 n/min.					
Electric absorption	Resistance (Ω)		Current (A)		Power (W)	
	20° C	120° C	20° C	120° C	20° C	120° C
12 V DC	4,00	5,60	3,33	2,00	40,00	24,00
24 V DC	20,00	28,00	1,26	0,77	30,30	18,18
All technical data are at 20°C / at 120 °C the performance is 20% reduced. All electromagnetic clutches are reversible.						



## Electromagnetic Clutches - Torque 14 daNm

Pump Group: Gr. 1-2-3 - Gr. 2 Bosch - Gr. 3 Bosch - SAE A - SAE B

Twin "A" Section Pulley diam. 178

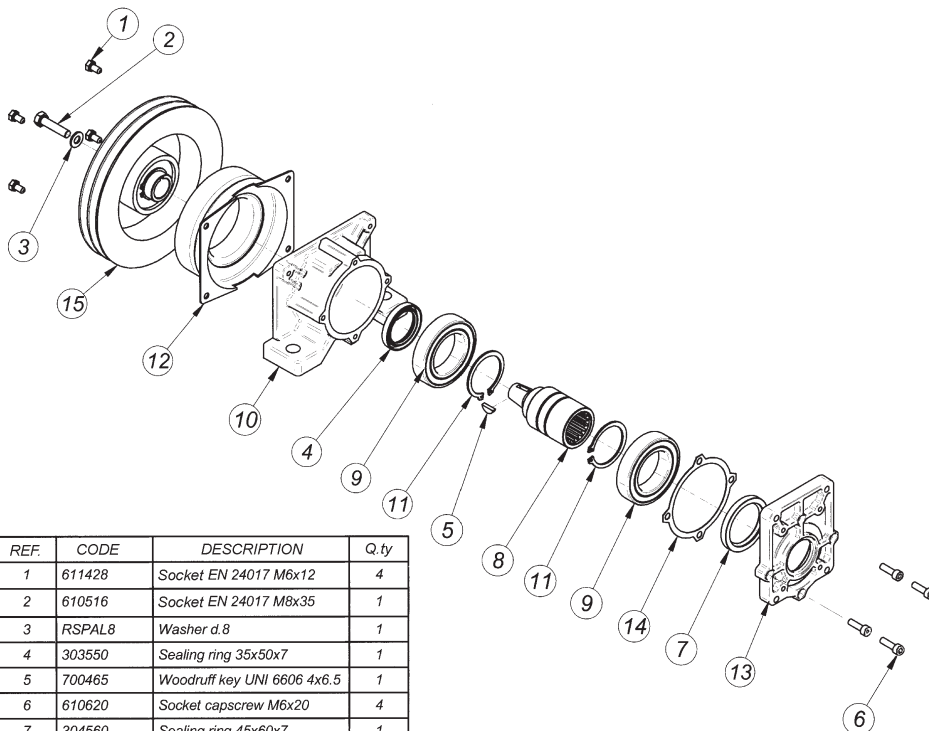
### ORDER CODE

30982 - 30803 -

Electromagnetic Clutch Torque 14 daNm - Twin "A" Pulley diam. 178			Flanges (see page 29)
Pump Flange	Voltage	Code	
Gr. 1 - 2	12 V DC	30980	- - Gr. 1 - 2
Gr. 1 - 2	24 V DC	30981	
Gr. 2 Bosch	12 V DC	30980/2B	30817 - Gr. 2 Bosch
Gr. 2 Bosch	24 V DC	30981/2B	
Gr. 3	12 V DC	30982	30803 - Gr. 3
Gr. 3	24 V DC	30983	
Gr. 3 Bosch	12 V DC	30982/3B	30821 - Gr. 3 Bosch
Gr. 3 Bosch	24 V DC	30983/3B	
SAE A	12 V DC	30980/SA	30420.3 - SAE A
SAE A	24 V DC	30981/SA	
SAE B	12 V DC	30980/SB	30420.1 - SAE B
SAE B	24 V DC	30981/SB	

Special versions

### SPARE PARTS LIST



REF.	CODE	DESCRIPTION	Q.ty
1	611428	Socket EN 24017 M6x12	4
2	610516	Socket EN 24017 M8x35	1
3	RSPAL8	Washer d.8	1
4	303550	Sealing ring 35x50x7	1
5	700465	Woodruff key UNI 6606 4x6.5	1
6	610620	Socket capscrew M6x20	4
7	304560	Sealing ring 45x60x7	1
8	A30901	Shaft	1
9	506009/ZZ	Bearing SKF 6009 2RS	2
10	30009.1	Housing	1
11	904500	Snap ring d.45	2
12	401214/175 402414/175	Coil	1
13	30900.1	Flange for pumps Gr 1 - 2	1
14	30009.1.1	Gasket	1
15	4014/175P	Electric clutch	1

## Electromagnetic Clutches - Torque 14 daNm

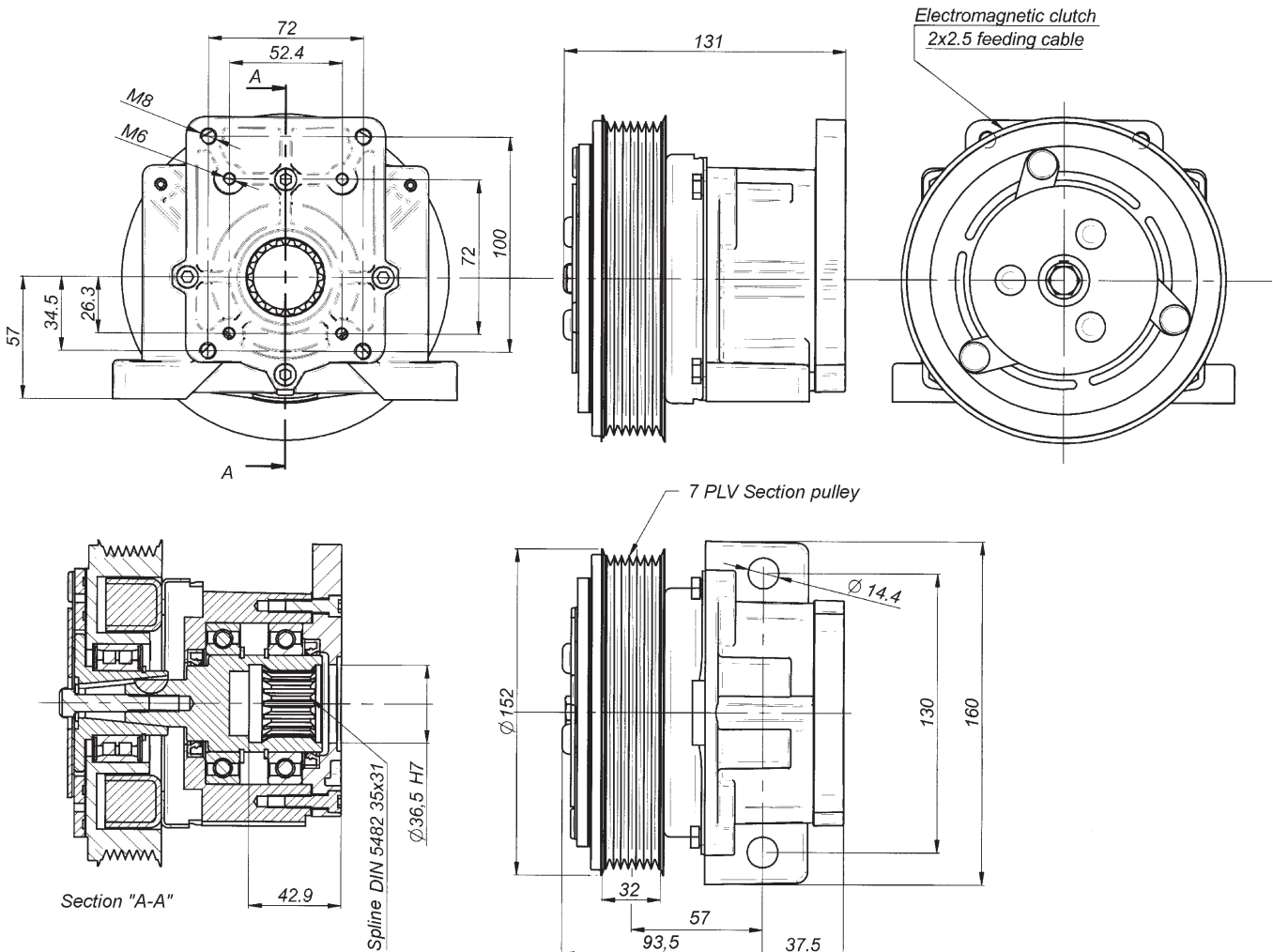
Pump Group: Gr. 1-2-3 - Gr. 2 Bosch - Gr. 3 Bosch - SAE A - SAE B

7 PLV Section Pulley

### INSTALLATION DRAWING

30929-1/7: 12 Volt

30930-1/7: 24 Volt



Nominal torque	11,8 daNm		Connection time	25 ms		
Static torque	14,0 daNm		Disconnection time	40 ms		
Dynamic torque	12,5 daNm	at 500 n/min.	Minimum time between two connections	20 sec		
	11,0 daNm	at 1000 n/min.				
	8,2 daNm	at 1500 n/min.				
	7,5 daNm	at 2000 n/min.	Max speed	5000 n/min.		
	6,7 daNm	at 2500 n/min.	Weight	5,5 Kg		
	6,5 daNm	at 3000 n/min.				
Electric absorption	Resistance (Ω)		Current (A)		Power (W)	
	20° C	120° C	20° C	120° C	20° C	120° C
12 V DC	4,00	5,60	3,33	2,00	40,00	24,00
24 V DC	20,00	28,00	1,26	0,77	30,30	18,18
All technical data are at 20°C / at 120 °C the performance is 20% reduced. All electromagnetic clutches are reversible.						



## Electromagnetic Clutches - Torque 14 daNm

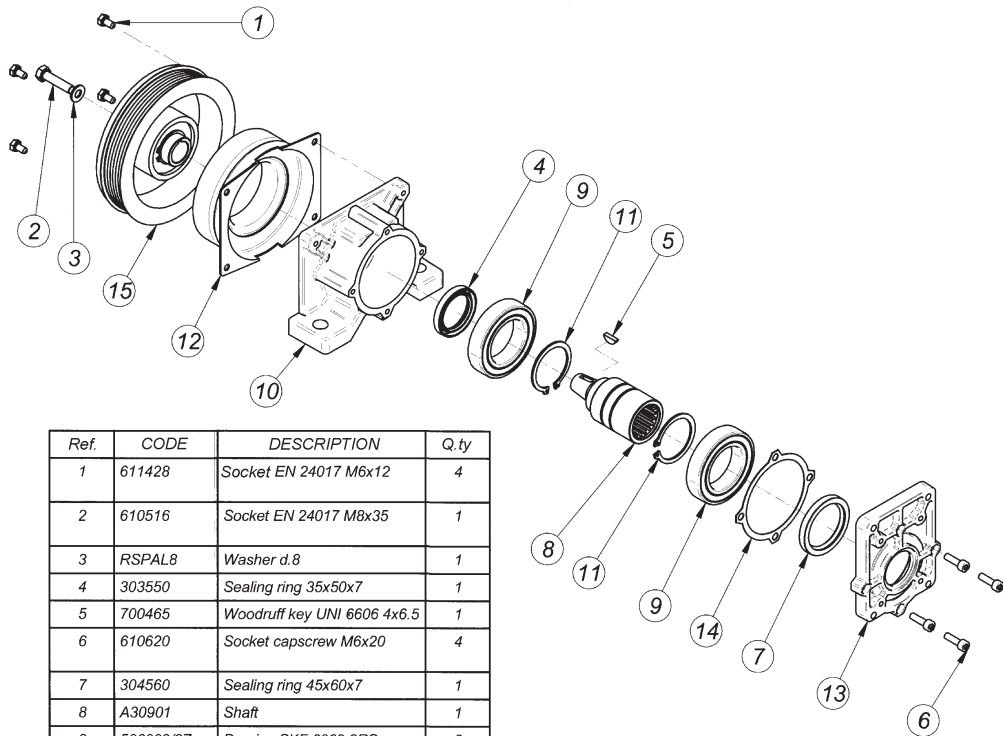
Pump Group: Gr. 1-2-3 - Gr. 2 Bosch - Gr. 3 Bosch - SAE A - SAE B

7 PLV Section Pulley

### ORDER CODE

30931-1/7			-	30803		-	[ ]	Special versions
Electromagnetic Clutch Torque 14 daNm - 7 PLV Pulley			Flanges (see page 29)					
<b>Pump Flange</b>	<b>Voltage</b>	<b>Code</b>						
Gr. 1 - 2	12 V DC	30929-1/7	- - Gr. 1 - 2					
Gr. 1 - 2	24 V DC	30930-1/7						
Gr. 2 Bosch	12 V DC	30929-1/7/2B	30817 - Gr. 2 Bosch					
Gr. 2 Bosch	24 V DC	30930-1/7/2B						
Gr. 3	12 V DC	30931-1/7	30803 - Gr. 3					
Gr. 3	24 V DC	30932-1/7						
Gr. 3 Bosch	12 V DC	30931-1/7/3B	30821 - Gr. 3 Bosch					
Gr. 3 Bosch	24 V DC	30932-1/7/3B						
SAE A	12 V DC	30929-1/7/SA	30420.3 - SAE A					
SAE A	24 V DC	30930-1/7/SA						
SAE B	12 V DC	30929-1/7/SB	30420.1 - SAE B					
SAE B	24 V DC	30930-1/7/SB						

### SPARE PARTS LIST



Ref.	CODE	DESCRIPTION	Q.ty
1	611428	Socket EN 24017 M6x12	4
2	610516	Socket EN 24017 M8x35	1
3	RSPAL8	Washer d.8	1
4	303550	Sealing ring 35x50x7	1
5	700465	Woodruff key UNI 6606 4x6.5	1
6	610620	Socket capscREW M6x20	4
7	304560	Sealing ring 45x60x7	1
8	A30901	Shaft	1
9	506009/2Z	Bearing SKF 6009 2RS	2
10	30009.1	Housing	1
11	904500	Snap ring d.45	2
12	401214/PLV 402414/PLV	Coil	1
13	30900.1	Flange for pumps Gr 1 - 2	1
14	30009.1.1	Gasket	1
15	4014/PLVP 7	Electric clutch PLV	1

## Electromagnetic Clutches - Torque 21 daNm

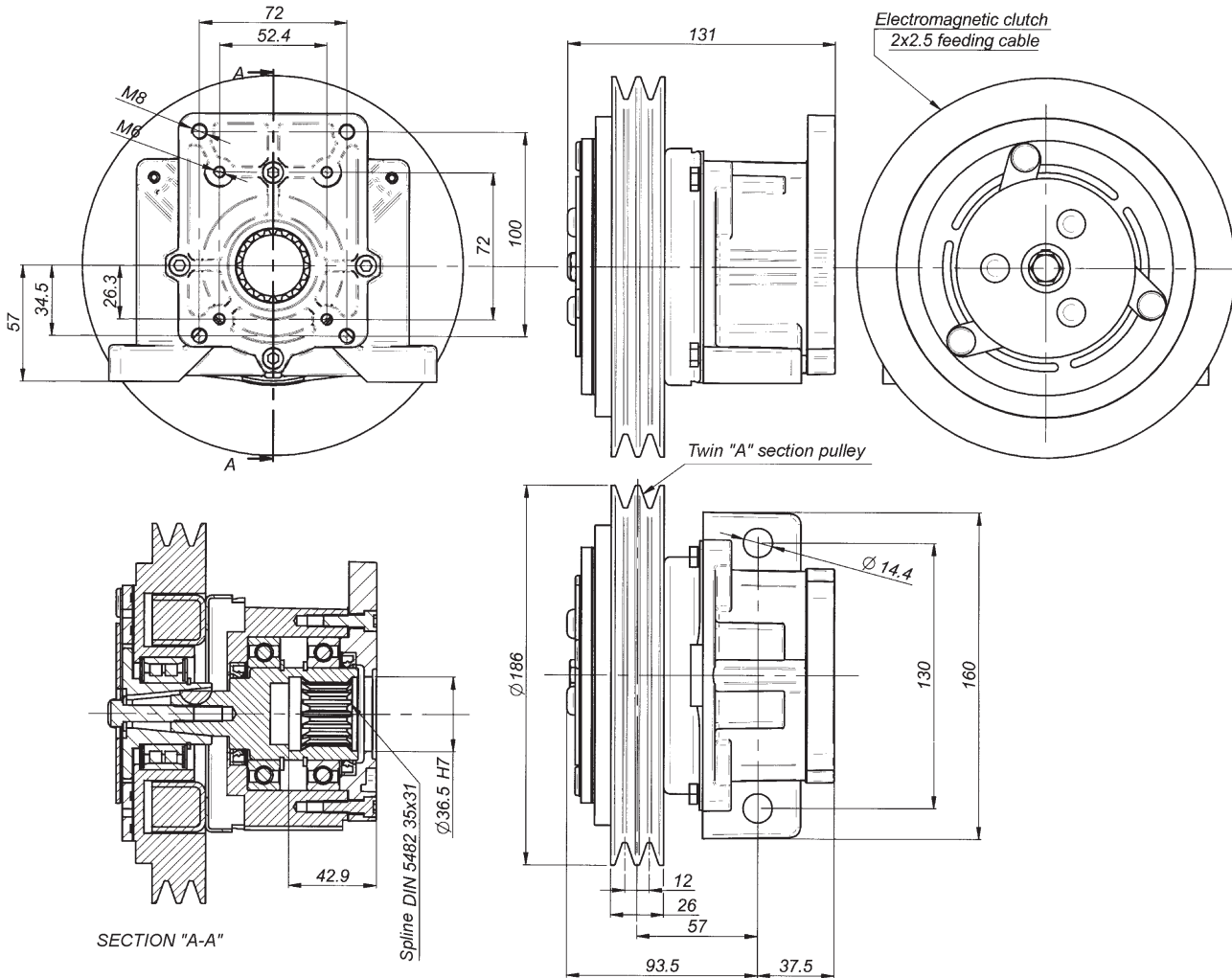
Pump Group: Gr. 1-2-3 - Gr. 2 Bosch - Gr. 3 Bosch - SAE A - SAE B

Twin "A" Section Pulley diam. 186

### INSTALLATION DRAWING

30990: 12 Volt

30991: 24 Volt



Nominal torque	16,0 daNm		Connection time	25 ms		
Static torque	21,0 daNm		Disconnection time	40 ms		
Dynamic torque	14,5 daNm	at 500 n/min.	Minimum time between two connections	20 sec		
	12,0 daNm	at 1000 n/min.				
	9,5 daNm	at 1500 n/min.				
	8,8 daNm	at 2000 n/min.				
	8,0 daNm	at 2500 n/min.	Max speed	5000 n/min.		
	7,8 daNm	at 3000 n/min.	Weight	8 Kg		
Electric absorption	Resistance ( $\Omega$ )		Current (A)		Power (W)	
	20° C	120° C	20° C	120° C	20° C	120° C
12 V DC	2,96	3,97	4,05	2,71	48,70	32,50
24 V DC	12,30	16,60	1,95	1,31	47,00	30,70

All technical data are at 20° C / at 120° C the performance is 20% reduced.  
All electromagnetic clutches are reversible.

## Electromagnetic Clutches - Torque 21 daNm

Pump Group: Gr. 1-2-3 - Gr. 2 Bosch - Gr. 3 Bosch - SAE A - SAE B

Twin "A" Section Pulley diam. 186

### ORDER CODE

30992			-	30803			-	[ ]	Special versions
Electromagnetic Clutch Torque 21 daNm - Twin "A" Pulley diam. 186			Flanges (see page 29)						
<b>Pump Flange</b>	<b>Voltage</b>	<b>Code</b>							
Gr. 1 - 2	12 V DC	30990	- - Gr. 1 - 2						
Gr. 1 - 2	24 V DC	30991							
Gr. 2 Bosch	12 V DC	30990/2B	30817 - Gr. 2 Bosch						
Gr. 2 Bosch	24 V DC	30991/2B							
Gr. 3	12 V DC	30992	30803 - Gr. 3						
Gr. 3	24 V DC	30993							
Gr. 3 Bosch	12 V DC	30992/3B	30821 - Gr. 3 Bosch						
Gr. 3 Bosch	24 V DC	30993/3B							
SAE A	12 V DC	30990/SA	30420.3 - SAE A						
SAE A	24 V DC	30991/SA							
SAE B	12 V DC	30990/SB	30420.1 - SAE B						
SAE B	24 V DC	30991/SB							

### SPARE PARTS LIST

Ref.	CODE	DESCRIPTION	Q.ty
1	611428	Socket EN 24017 M6x12	4
2	610516	Socket EN 24017 M8x35	1
3	RSPAL8	Washer d.8	1
4	303550	Sealing ring 35x50x7	1
5	700465	Woodruff key UNI 6606 4x6.5	1
6	610620	Socket capscREW M6x20	4
7	304560	Sealing ring 45x60x7	1
8	A30901	Shaft	1
9	506009/2Z	Bearing SKF 6009 2RS	2
10	30009.1	Housing	1
11	904500	Snap ring d.45	2
12	401221/186B 402421/186B	Coil	1
13	30900.1	Flange for pumps Gr 1 - 2	1
14	30009.1.1	Gasket	1
15	4021/186BP	Electric clutch PLV	1

## Electromagnetic Clutches - Torque 30 daNm

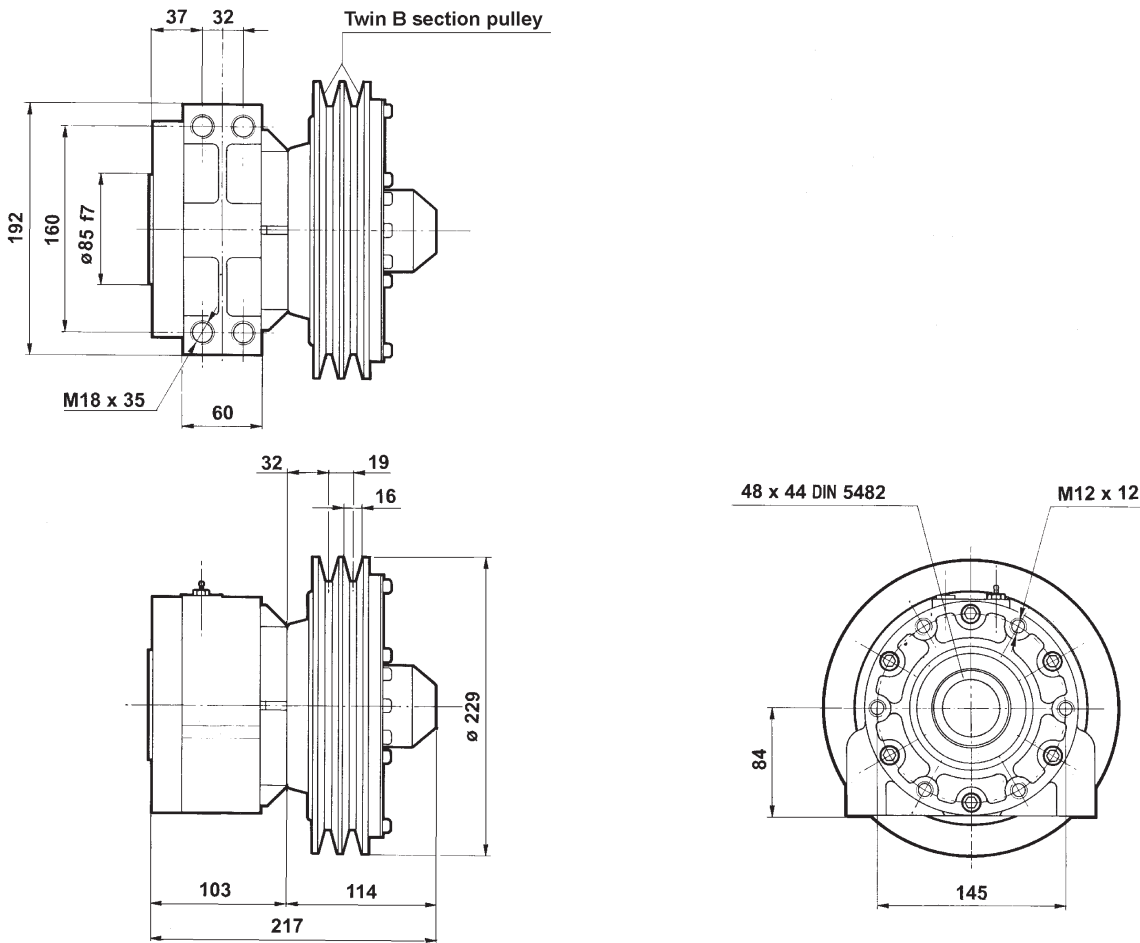
Pump Group: Gr. 2-3-4 - Gr. 3 Bosch - SAE A - SAE B - LG 20-35-50-75

Twin "B" Section Pulley diam. 229

### INSTALLATION DRAWING

30940/SF: 12 Volt

30941/SF: 24 Volt



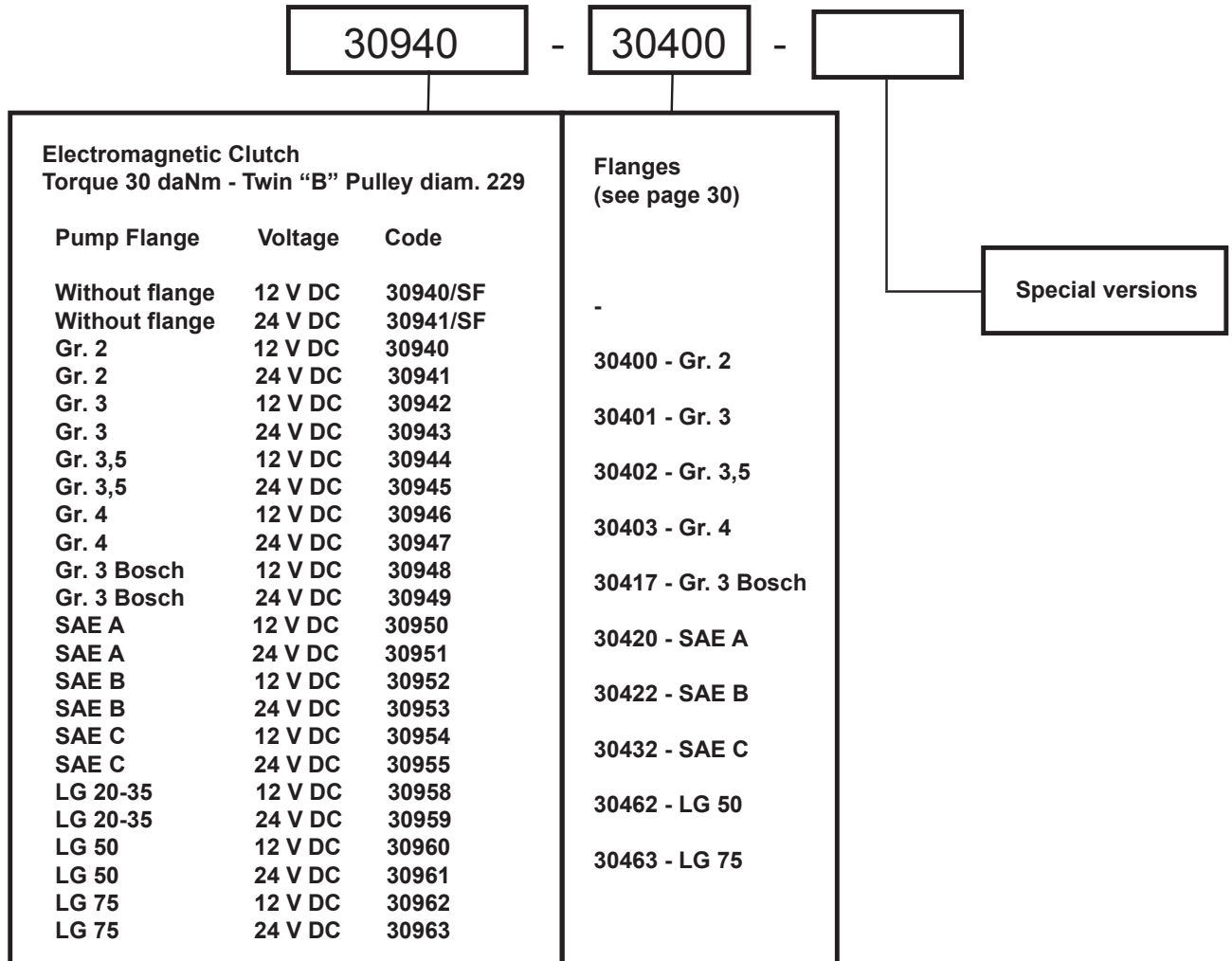
Nominal torque	38,0 daNm		Connection time		25 ms	
Static torque	50,0 daNm		Disconnection time		40 ms	
Dynamic torque	33,0 daNm		at 500 n/min.		Minimum time between two connections	20 sec
	31,5 daNm		at 1000 n/min.			
	28,7 daNm		at 1500 n/min.			
	28,0 daNm		at 2000 n/min.		Max speed	5000 n/min.
	27,2 daNm		at 2500 n/min.			
	27,0 daNm		at 3000 n/min.		Weight	20 Kg
Electric absorption	Resistance (Ω)		Current (A)		Power (W)	
	20° C	120° C	20° C	120° C	20° C	120° C
12 V DC	1,81	2,60	6,60	4,62	80,00	56,00
24 V DC	7,40	10,50	3,25	2,30	78,00	54,60
All technical data are at 20°C / at 120 °C the performance is 20% reduced. All electromagnetic clutches are reversible.						

## Electromagnetic Clutches - Torque 30 daNm

Pump Group: Gr. 2-3-4 - Gr. 3 Bosch - SAE A - SAE B - LG 20-35-50-75

Twin "B" Section Pulley diam. 229

### ORDER CODE

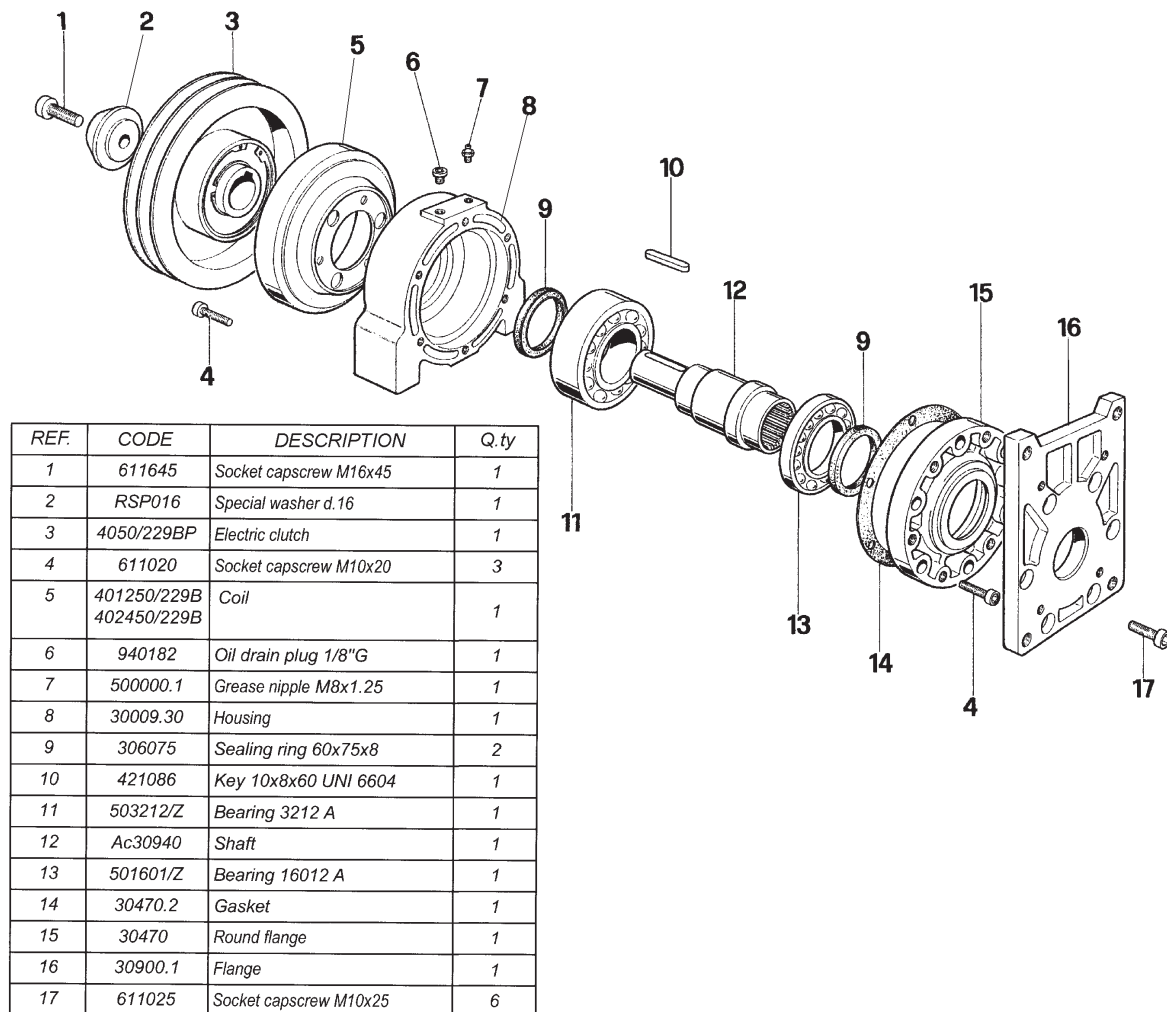


## Electromagnetic Clutches - Torque 30 daNm

Pump Group: Gr. 2-3-4 - Gr. 3 Bosch - SAE A - SAE B - LG 20-35-50-75

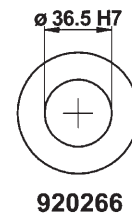
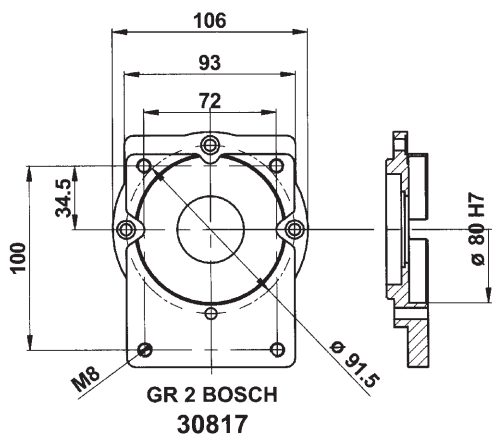
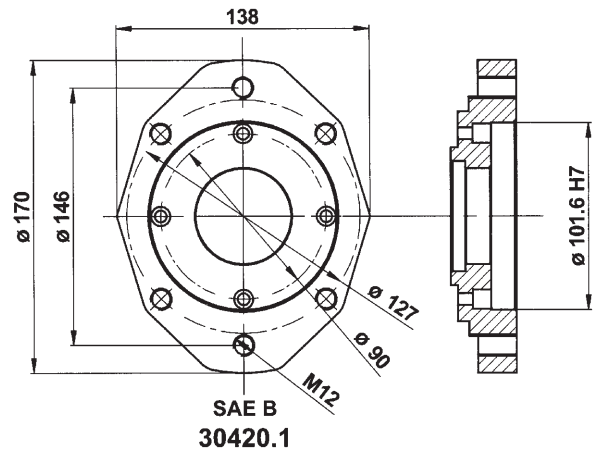
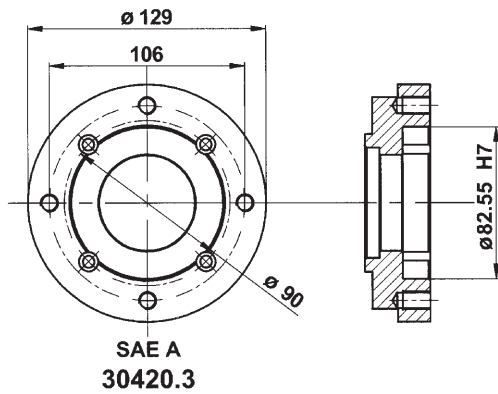
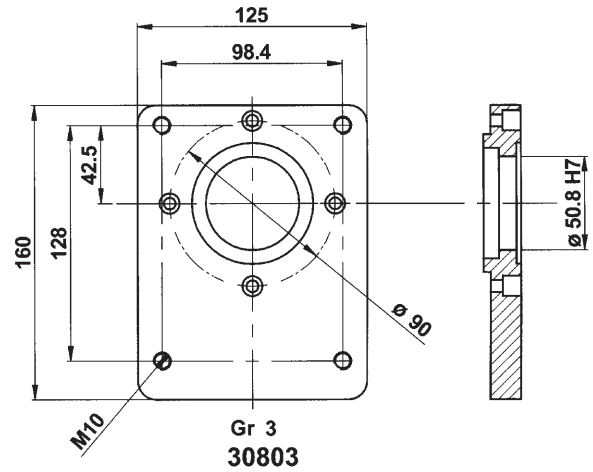
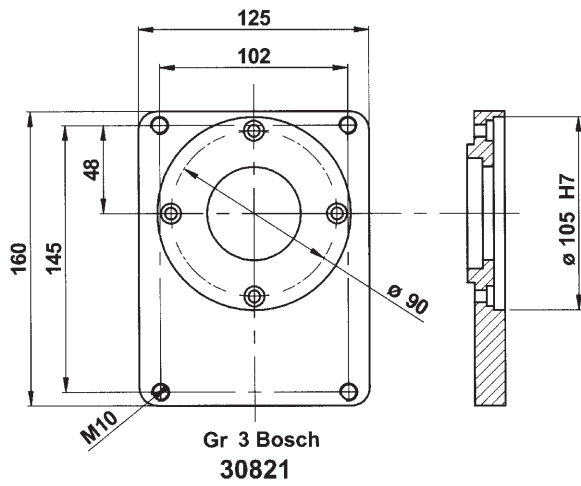
Twin "B" Section Pulley diam. 229

### SPARE PARTS LIST



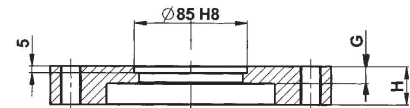
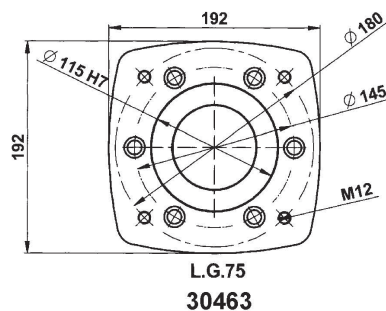
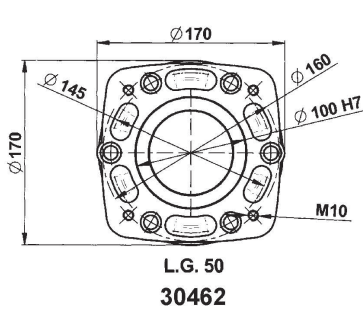
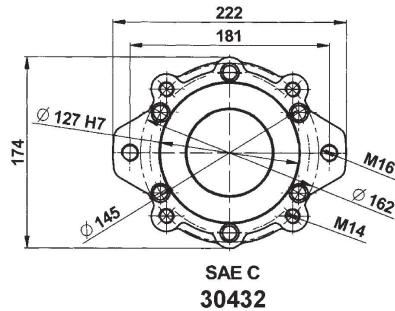
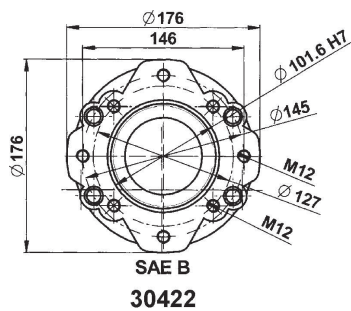
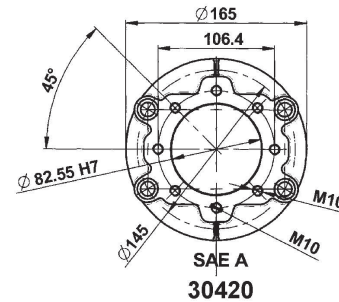
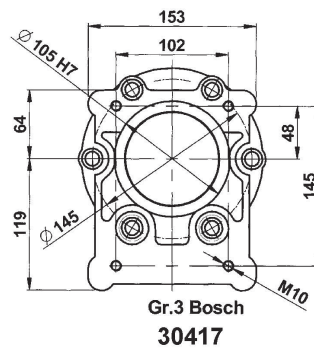
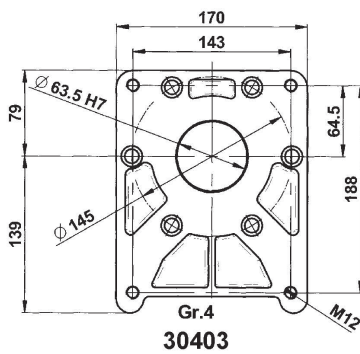
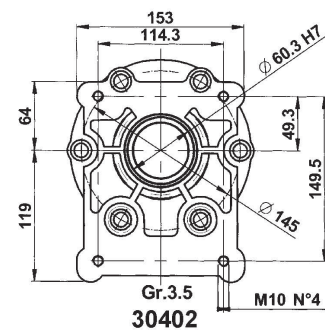
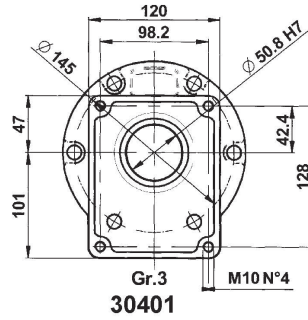
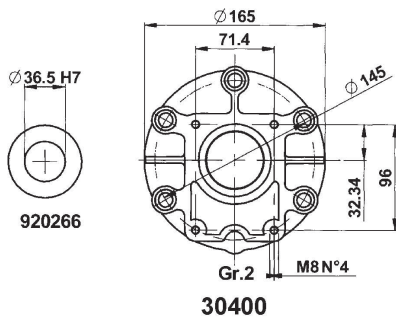
REF.	CODE	DESCRIPTION	Q.ty
1	611645	Socket capscrew M16x45	1
2	RSP016	Special washer d.16	1
3	4050/229BP	Electric clutch	1
4	611020	Socket capscrew M10x20	3
5	401250/229B 402450/229B	Coil	1
6	940182	Oil drain plug 1/8"G	1
7	500000.1	Grease nipple M8x1.25	1
8	30009.30	Housing	1
9	306075	Sealing ring 60x75x8	2
10	421086	Key 10x8x60 UNI 6604	1
11	503212/Z	Bearing 3212 A	1
12	Ac30940	Shaft	1
13	501601/Z	Bearing 16012 A	1
14	30470.2	Gasket	1
15	30470	Round flange	1
16	30900.1	Flange	1
17	611025	Socket capscrew M10x25	6

## Flanges for Electromagnetic Clutches 10, 14, 21 daNm





## Flanges for Electromagnetic Clutches 30 daNm



Section for all flanges

Flange	Type	Gr.2	Gr.3	Gr.3.5	Gr.4	Gr.3 BOSCH	SAE A	SAE B	SAE C	LG. 50	LG. 75
		Code	30400	30401	30402	30403	30417	30420	30422	30432	30462
Dimensions	H	21	23	24	23	19	25	25	28	41	41
	G	17	21	11.5	16	12	21	12	16	32.5	33



As HANSA-TMP has a very extensive range of products and some products have a variety of applications, the information supplied may often only apply to specific situations.

If the catalogue does not supply all the information required, please contact HANSA-TMP.

In order to provide a comprehensive reply to queries we may require specific data regarding the proposed application.

Whilst every reasonable endeavour has been made to ensure accuracy, this publication cannot be considered to represent part of any contract, whether expressed or implied.

HANSA-TMP reserves the right to amend specifications at their discretion.



**HANSA-TMP S.r.l.**  
Via M. L. King, 6 – 41122 Modena (ITALY)  
Tel.: +39 059 415 711  
Fax: +39 059 415 730  
E-mail: [hansatmp@hansatmp.it](mailto:hansatmp@hansatmp.it)  
Website: [www.hansatmp.it](http://www.hansatmp.it)

Certified Company  
ISO 9001:2015 – ISO 14001:2015



Share Capital: € 300.000,00  
VAT Number: IT01167360369  
REA Number: MO-225785