



HANSA-TMP

MANUFACTURING YOUR SUCCESS

HT 12 / A / 353 / 0621 / E

Pump Front Bearing



Contents

General Information.....	4 - 5
Pump Front Bearing Series 25401 / 25601.....	6 - 7
Pump Front Bearing Series 25402 / 25602.....	8 - 9
Pump Front Bearing Series 25403 / 25603.....	10 - 11
Pump Front Bearing Series 25403-1 / 25603-1.....	12 - 13
Pump Front Bearing Series 25404-4 / 25604-4.....	14 - 15
Pump Front Bearing Series 25404-6 / 25604-6.....	16 - 17
Pump Front Bearing Series 25607.....	18 - 19
Pump Front Bearing Series 25608.....	20 - 21
Pump Front Bearing Series 25405 / 25605.....	22 - 23
Pump Front Bearing Series 25406 / 25606.....	24 - 25
Pump Front Bearing Series 25407.....	26 - 27
Pump Front Bearing Series 25408.....	28 - 29
Pump Front Bearing Series 25409.....	30 - 31
Pump Front Bearing Series 25609.....	32 - 33
Flanges for Pump Front Bearing Series 25609.....	34
Pump Front Bearing Series 25610 / 24.....	36 - 37
Pump Front Bearing Series 25610 / 40.....	38 - 39

General Information

Pump Front Bearing

Designed for independent drive of hydraulic pumps with chain or belts with high radial loads.

They are directly flanged to the pump and connected with a splined sleeve.

Their rated life is 3500 hours at a speed of 1500 n/min.

Lubrication: grease according to DIN 51502 standards - MPF 1K - 20.

Please contact our Tech. Dpt. for special components with working characteristics not mentioned in this catalogue.

General Information

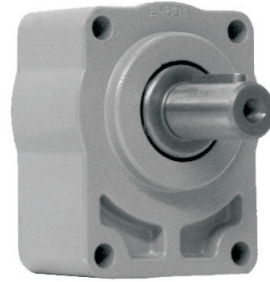
Pump Front Bearing

Product Overview

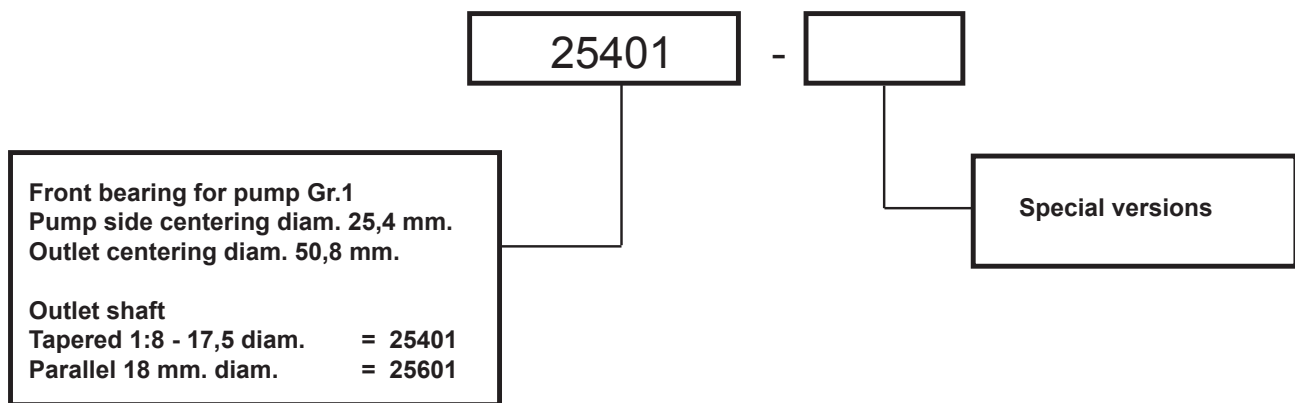
Pump front bearing series	Inlet Pump flange	Outlet centering diam.	Outlet Shaft	Housing
25401	Gr. 1	50,8	tapered 1:8 - 17,5 mm. diam.	Aluminium
25601	Gr. 1	50,8	parallel 18 mm. diam.	Aluminium
25402	Gr. 2	36,5	tapered 1:8 - 17,5 mm. diam.	Aluminium
25602	Gr. 2	36,5	parallel 18 mm. diam.	Aluminium
25403	Gr. 2	50,8	tapered 1:8 - 17,5 mm. diam.	Aluminium
25603	Gr. 2	50,8	parallel 22 mm. diam.	Aluminium
25403-1	Gr. 2	50,8	tapered 1:8 - 17,5 mm. diam.	Aluminium
25603-1	Gr. 2	50,8	parallel 22 mm. diam.	Aluminium
25404-4	Gr. 3	60,3	tapered 1:8 - 22,2 mm. diam.	Aluminium
25604-4	Gr. 3	60,3	parallel 24 mm. diam.	Aluminium
25404-6	Gr. 3	50,8	tapered 1:8 - 22,2 mm diam.	Aluminium
25604-6	Gr. 3	50,8	parallel 24 mm. diam.	Aluminium
25607	Gr. 3 - SAE A	82,5	parallel 25,4 mm. diam.	Aluminium
25608	Gr. 3 - SAE B	101,6	parallel 22,2 mm. diam.	Aluminium
25405	Gr. 3,5	60,3	tapered 1:8 - 26 mm. diam.	Aluminium
25605	Gr. 3,5	60,3	parallel 28 mm. diam.	Aluminium
25406	Gr. 2 BOSCH	80	tapered 1:5 - 20 mm. diam.	Aluminium
25606	Gr. 2 BOSCH	80	parallel 22 mm. diam.	Aluminium
25407	Gr. 3 BOSCH	105	tapered 1:5 - 24,6 mm. diam.	Aluminium
25408	Gr. 2 BOSCH	80	tapered 1:5 - 20 mm. diam.	Aluminium
25409	Gr. 2 B 50 C	50	tapered 1:5 - 17 mm. diam.	Aluminium
25609	Gr. 4 UNIVERSAL	85	parallel 42 mm. diam.	Aluminium
25610 / 24	Gr. 3	50,8	parallel 24 mm. diam.	Cast Iron
25610 / 40	Gr. 3	50,8	parallel 40 mm. diam.	Cast Iron

Pump Front Bearing Series 25401 - 25601

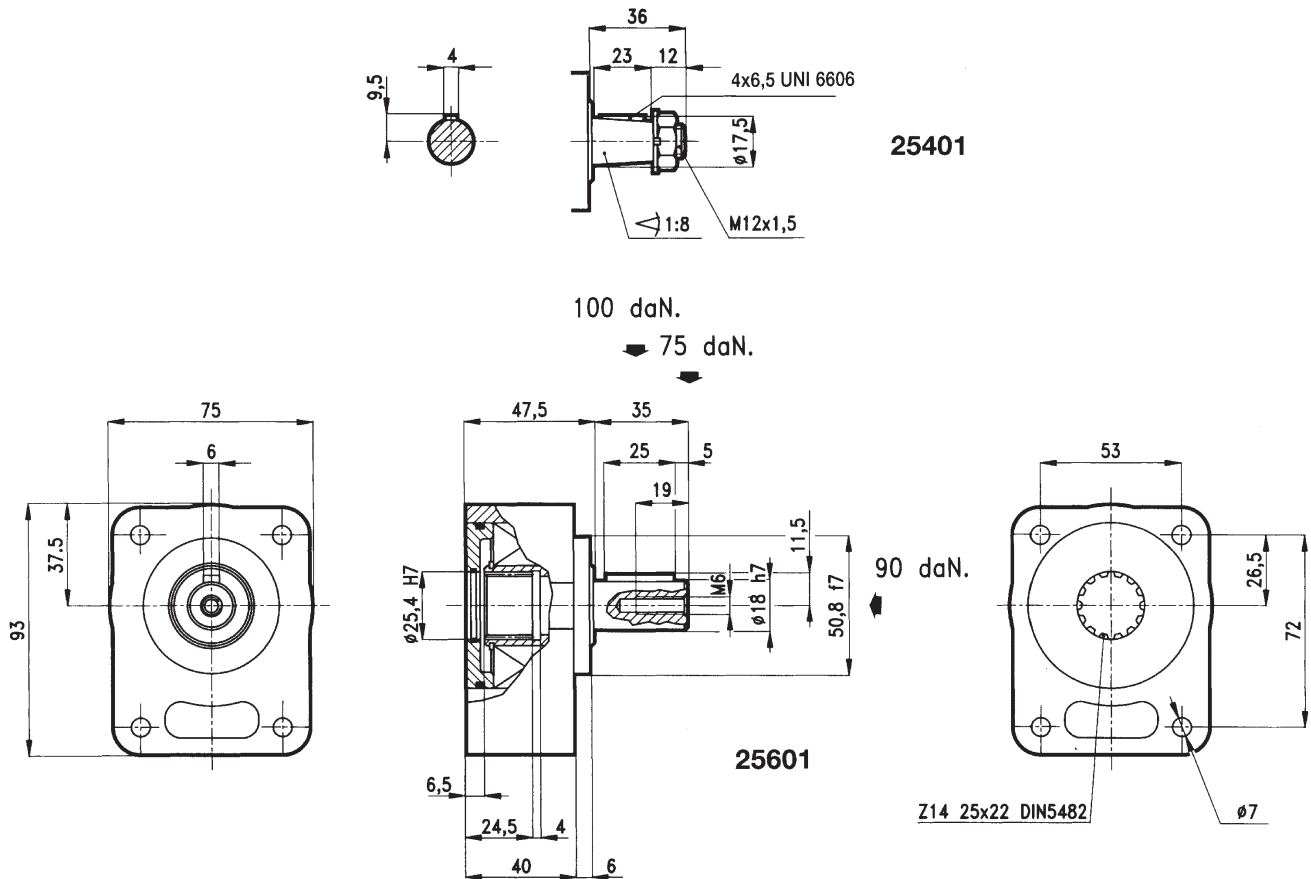
Front bearing for pump Gr.1
 Pump side centering diam. 25,4 mm.
 Flange side centering diam. 50,8 mm.



ORDER CODE

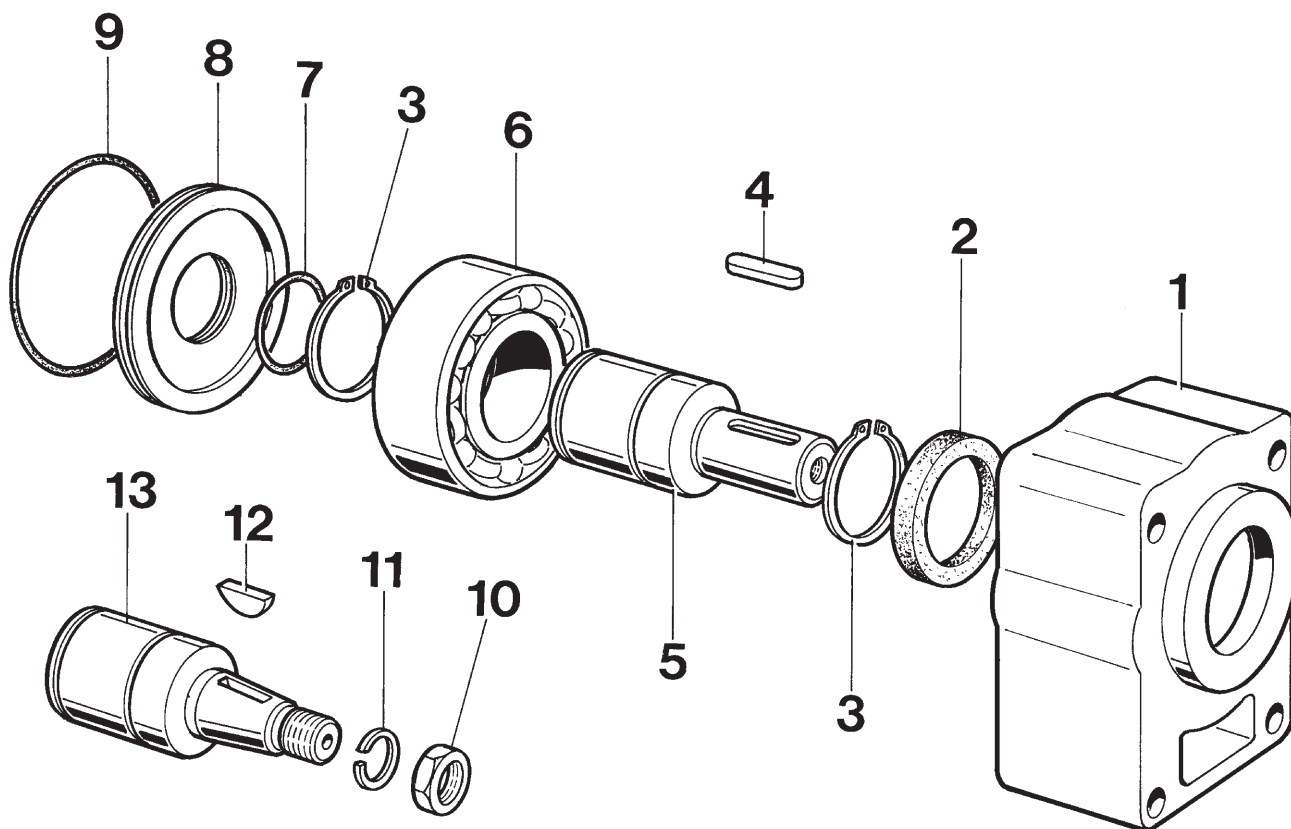


INSTALLATION DRAWING



Pump Front Bearing Series 25401 - 25601

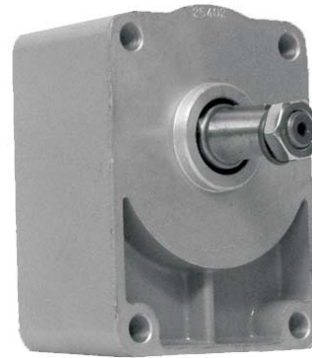
SPARE PARTS LIST



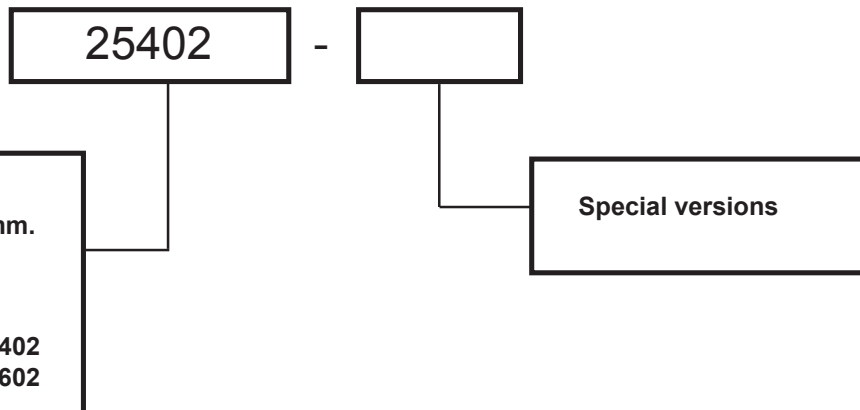
Ref.	CODE	DESCRIPTION	Q.ty
1	25001.1	Housing	1
2	303040	Sealing Ring 30x40x7	1
3	903000	Snap ring UNI 7435 - 30	2
4	426625	Key6x6x25 UNI 6604	1
5	AC18.1	Parallel shaft, d = 18 mm.	1
6	503206/Z	Bearing 3206A	1
7	402100	O-Ring 2100	1
8	COP062	Ring d=62	1
9	403225	O-Ring 3225	1
10	601215	Nut UNI 28675 M12x1.5	1
11	801200	Washer Grower d.12	1
12	700465	Key 4x6.5 UNI 6606	1
13	ACO1	Tapered shaft	1

Pump Front Bearing Series 25402 - 25602

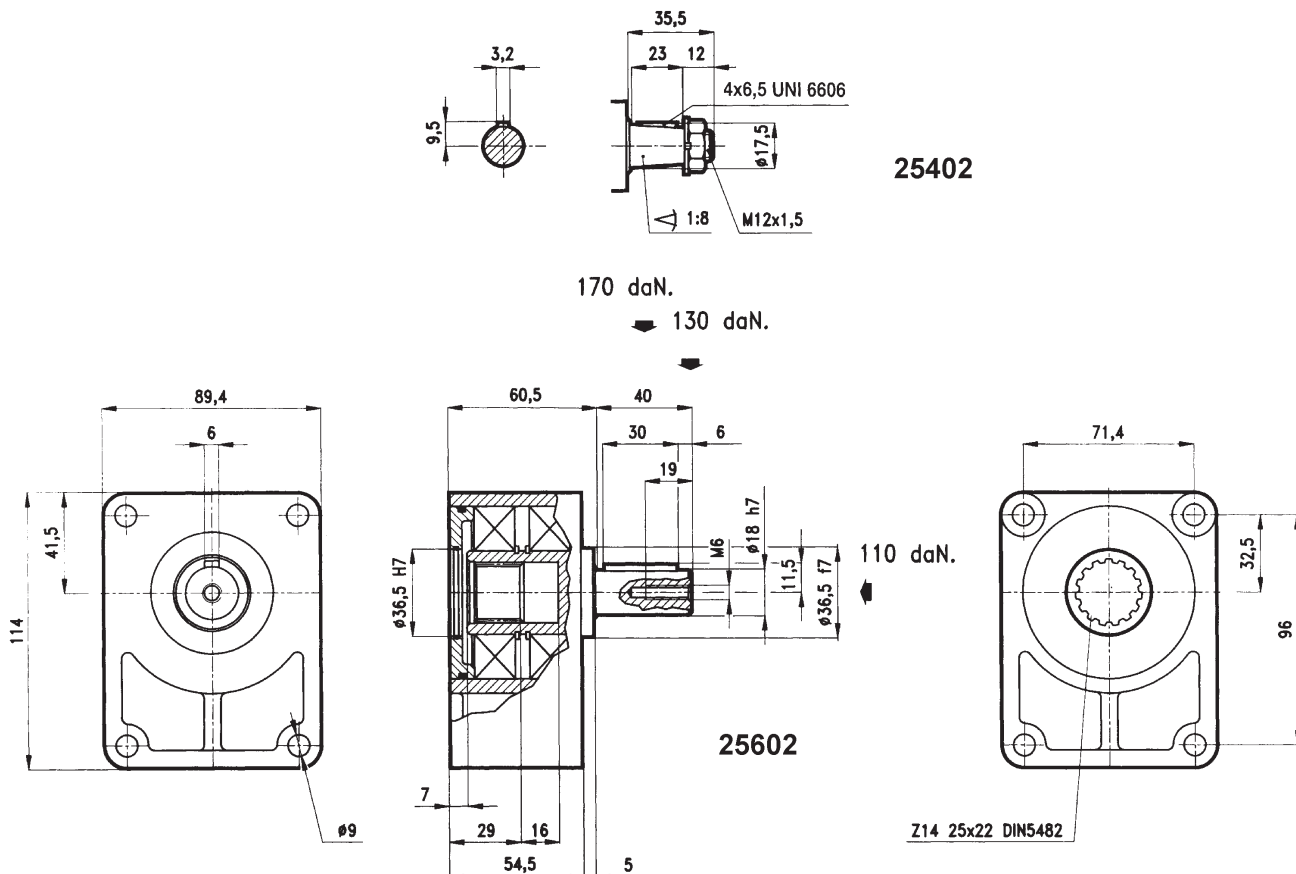
Front bearing for pump Gr.2
 Pump side centering diam. 36,5 mm.
 Outlet centering diam. 36,5 mm.



ORDER CODE

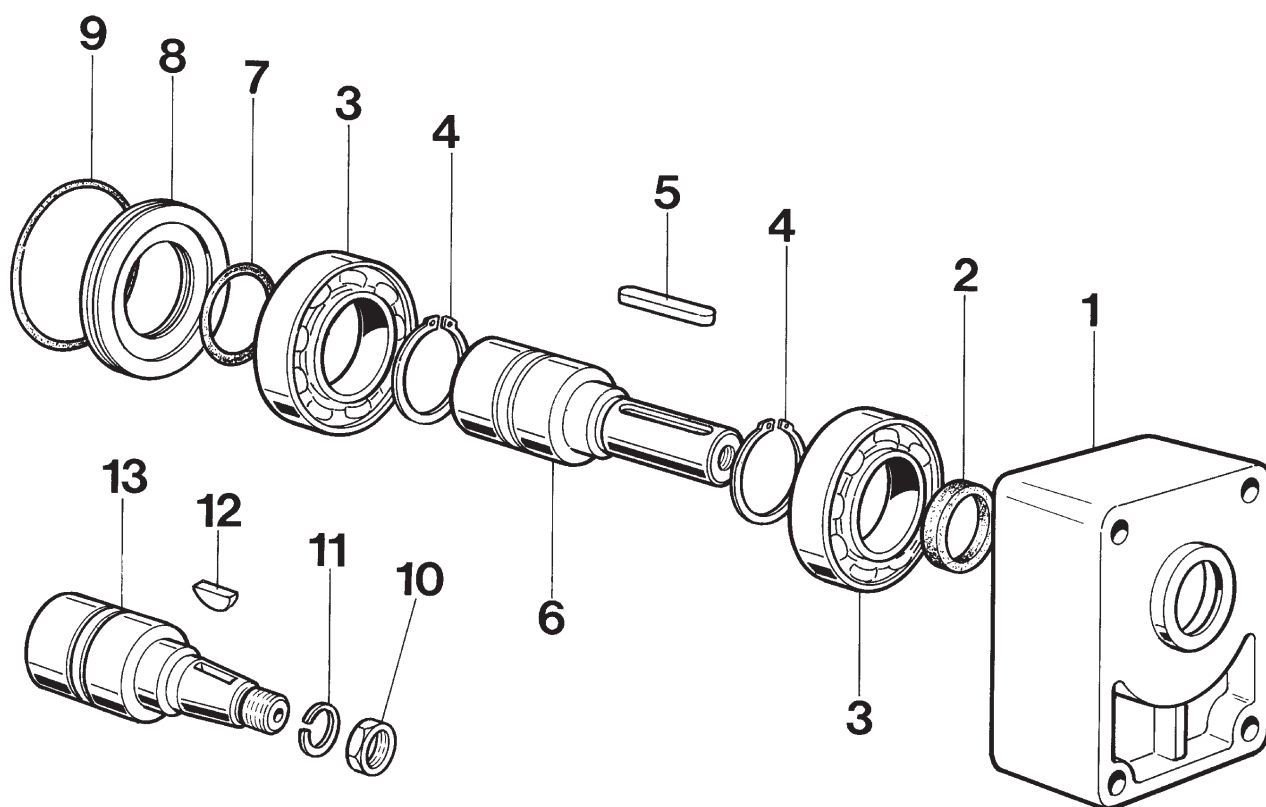


INSTALLATION DRAWING



Pump Front Bearing Series 25402 - 25602

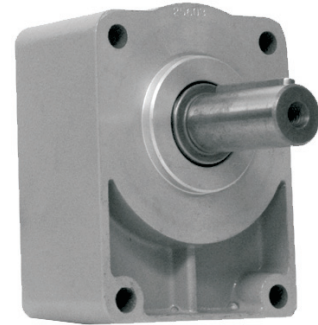
SPARE PARTS LIST



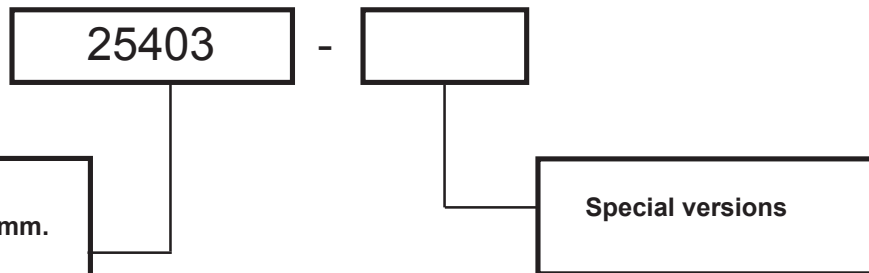
Ref.	CODE	DESCRIPTION	Q.ty
1	25002/364.1	Housing	1
2	302232	Sealing Ring 22x32x7	1
3	506207/C	Bearing 6207A	2
4	903500	Snap ring UNI 7435 - 35	2
5	426630	Key 6x6x30 UNI 6604	1
6	AC18.2	Parallel shaft, d = 18mm.	1
7	403143	O-Ring 3143	1
8	25002/C.1	Ring d=72	1
9	403262	O-Ring 3262	1
10	601215	Nut UNI 28675 M12x1.5	1
11	801200	Washer Grower d.12	1
12	700465	Key 3.2x6.5 UNI 6606	1
13	ACO2	Tapered shaft	1

Reinforced Pump Front Bearing Series 25403 - 25603

Front bearing for pump Gr.2
 Pump side centering diam. 36,5 mm.
 Outlet centering diam. 50,8 mm.



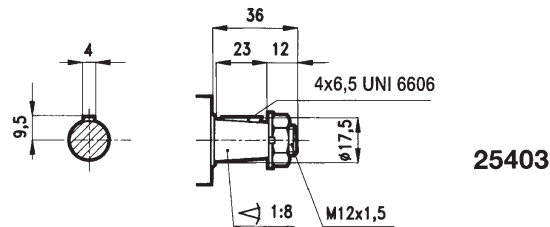
ORDER CODE



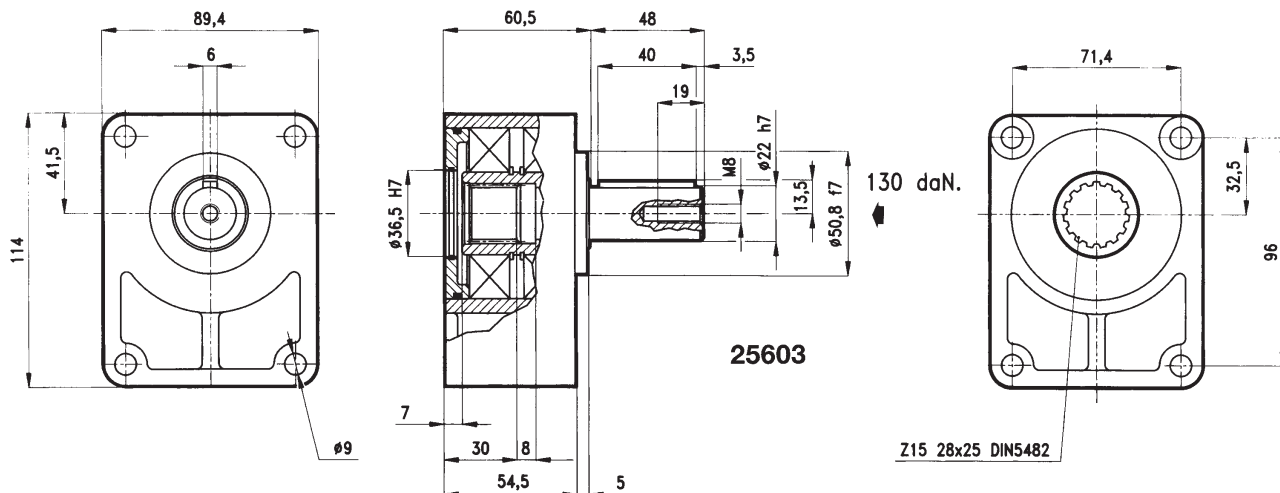
Front bearing for pump Gr.2
 Pump side centering diam. 36,5 mm.
 Outlet centering diam. 50,8 mm.

Outlet shaft
 Tapered 1:8 - 17,5 diam. = 25403
 Parallel 22 mm. diam. = 25603

INSTALLATION DRAWING

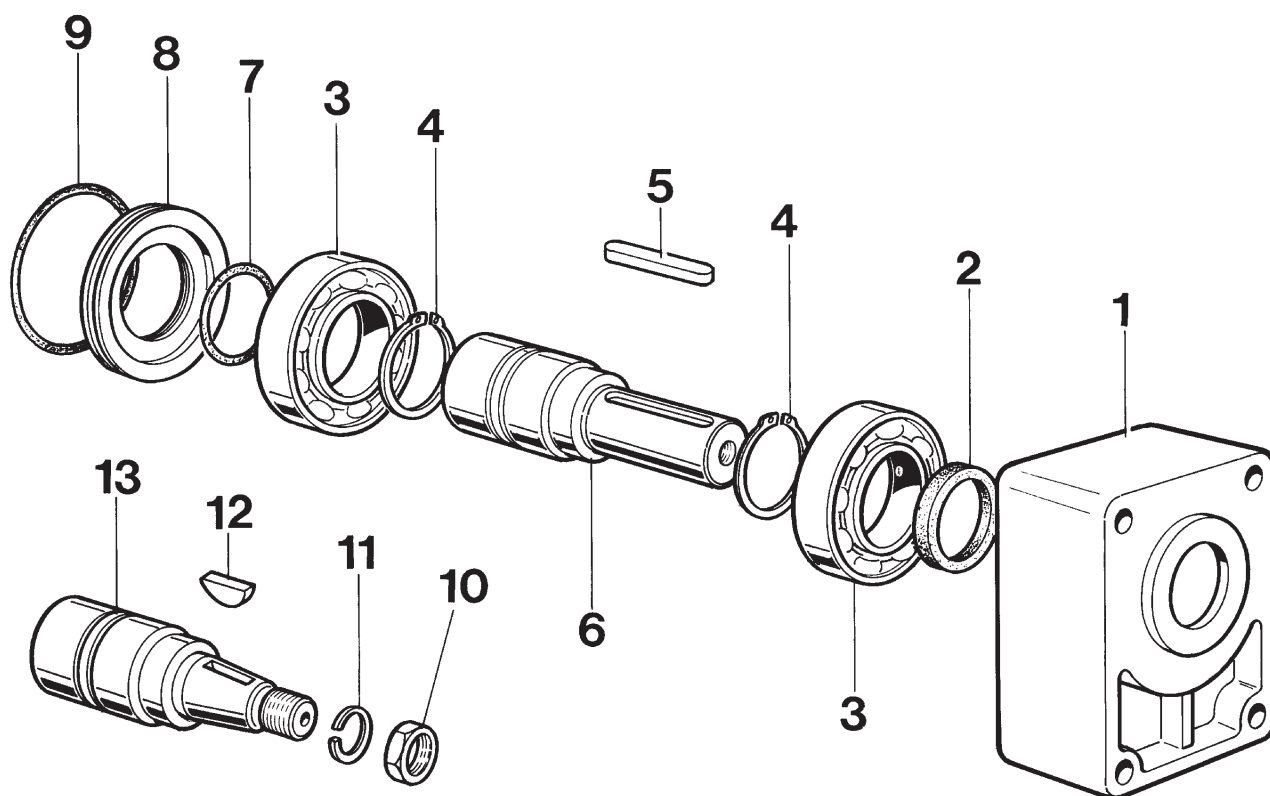


285 daN.
 220 daN.



Reinforced Pump Front Bearing Series 25403 - 25603

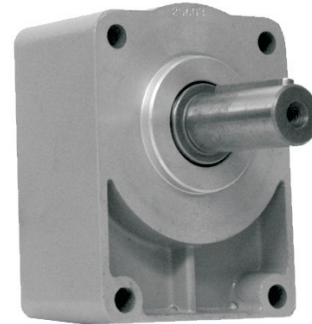
SPARE PARTS LIST



Ref.	CODE	DESCRIPTION	Q. ty
1	25003.1	Housing	1
2	303040	Sealing Ring 30x40x7	1
3	506207/C	Bearing 6207A	2
4	903500	Snap ring UNI 7435 - 35	2
5	426640	Key 6x6x40 UNI 6604	1
6	AC22/R2	Parallel shaft, d = 22 mm.	1
7	403143	O-Ring 3143	1
8	25002/C.1	Ring d=72	1
9	403262	O-Ring 3262	1
10	601215	Nut UNI 28675 M12x1.5	1
11	801200	Washer Grower d.12	1
12	700465	Key 3.2x6.5 UNI 6606	1
13	ACO2/R2	Tapered shaft	1

Reinforced Pump Front Bearing Series 25403-1 - 25603-1

Front bearing for pump Gr.2
 Pump side centering diam. 36,5 mm.
 Outlet centering diam. 50,8 mm.



ORDER CODE

25403.1

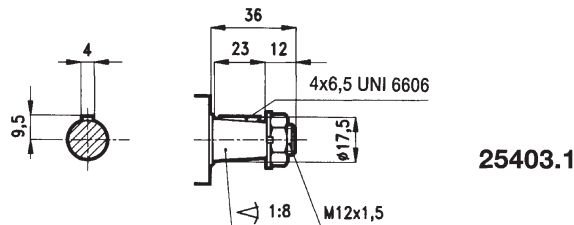
-

Special versions

Front bearing for pump Gr.2
 Pump side centering diam. 36,5 mm.
 Outlet centering diam. 50,8 mm.

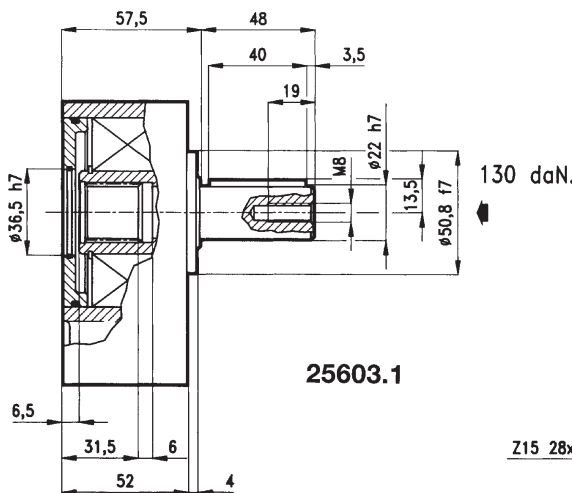
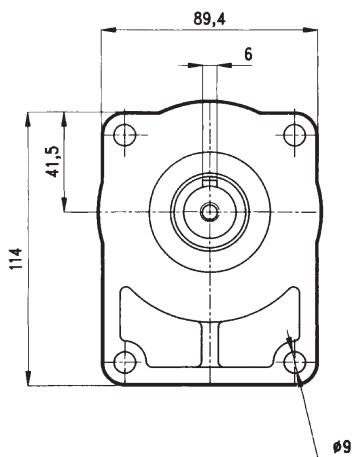
Outlet shaft
 Tapered 1:8 - 17,5 diam. = 25403.1
 Parallel 22 mm. diam. = 25603.1

INSTALLATION DRAWING

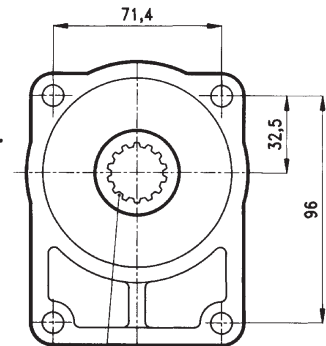


25403.1

285 daN. 220 daN.



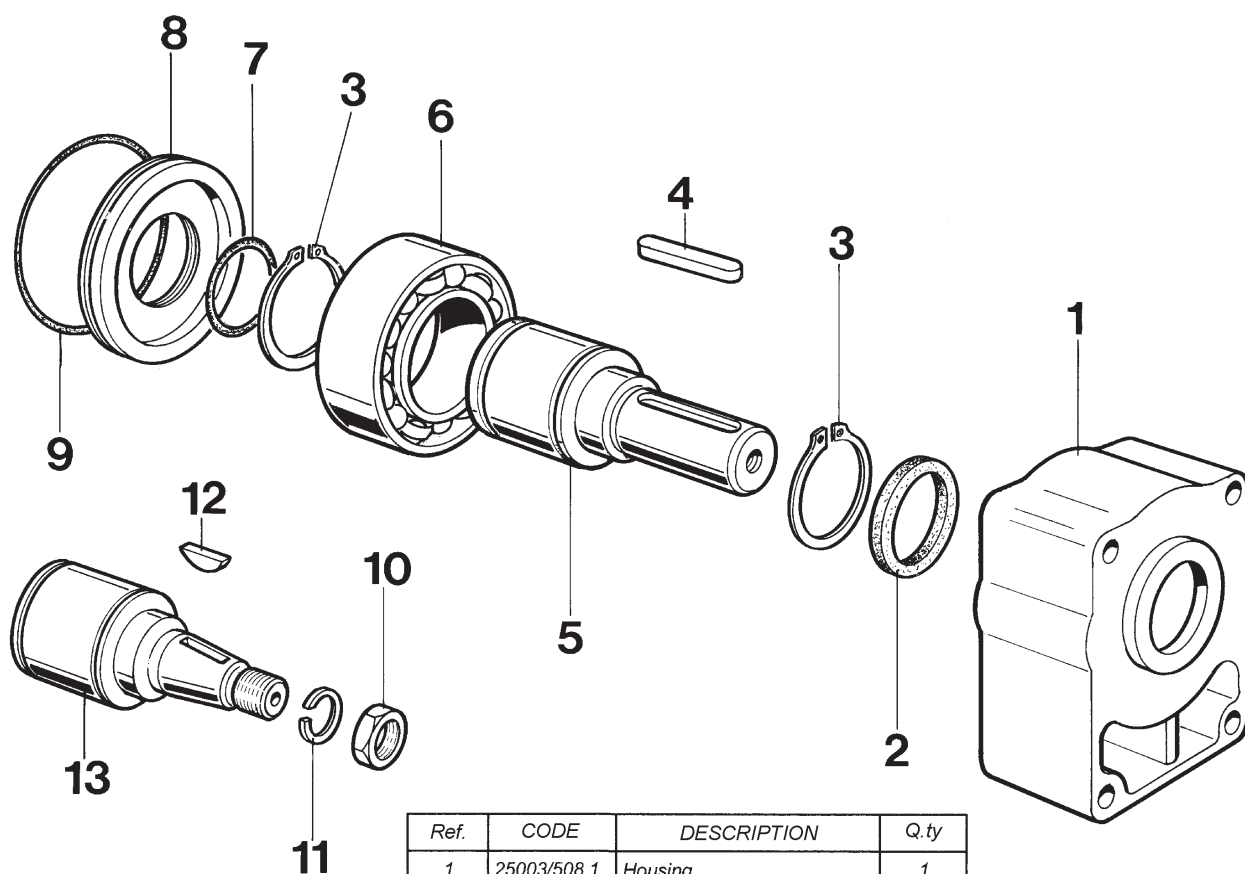
25603.1



Z15 28x25 DIN5482

Reinforced Pump Front Bearing Series 25403-1 - 25603-1

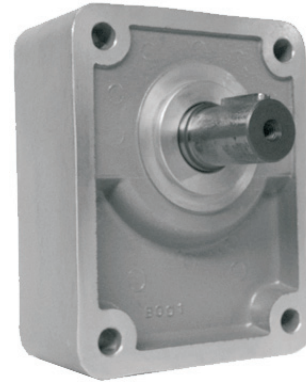
SPARE PARTS LIST



Ref.	CODE	DESCRIPTION	Q.ty
1	25003/508.1	Housing	1
2	303040	Sealing Ring 30x40x7	1
3	904000	Snap ring UNI 7435 - 40	2
4	426640	Key 6x6x40 UNI 6604	1
5	AC22/R	Parallel shaft, d = 22 mm.	1
6	503208/Z	Bearing 3208A	1
7	403143	O-Ring 3143	1
8	25003/C.1	Ring d=80	1
9	401740	O-Ring 174	1
10	601215	Nut UNI 28675 M12x1.5	1
11	801200	Washer Grower d.12	1
12	700365	Key 3.2x6.5 UNI 6606	1
13	ACO2/R	Tapered shaft	1

Reinforced Pump Front Bearing Series 25404-4 - 25604-4

Front bearing for pump Gr.3
 Pump side centering diam. 50,8 mm.
 Outlet centering diam. 60,3 mm.



ORDER CODE

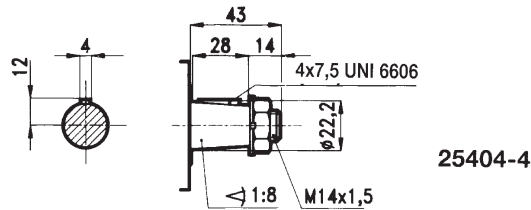
25404-4 - []

Front bearing for pump Gr.3
 Pump side centering diam. 50,8 mm.
 Outlet centering diam. 60,3 mm.

Outlet shaft
 Tapered 1:8 - 22,2 diam. = 25404-4
 Parallel 24 mm. diam. = 25604-4

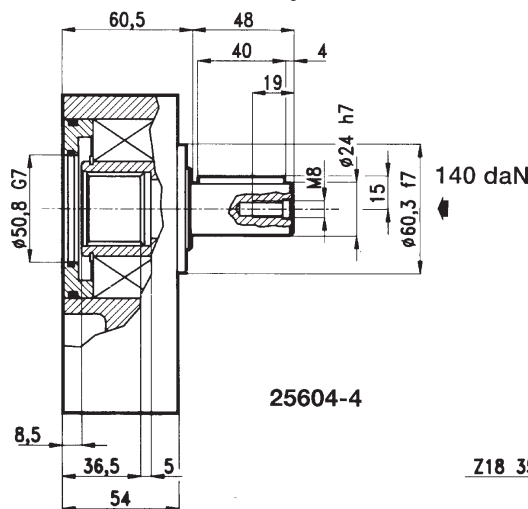
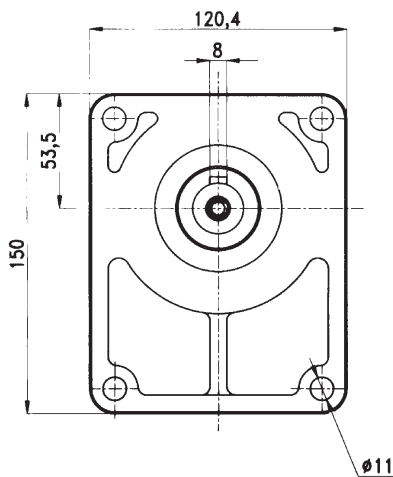
Special versions

INSTALLATION DRAWING

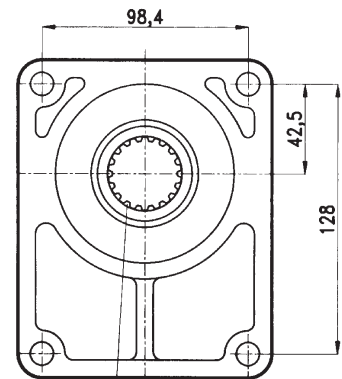


25404-4

315 daN.
 240 daN.



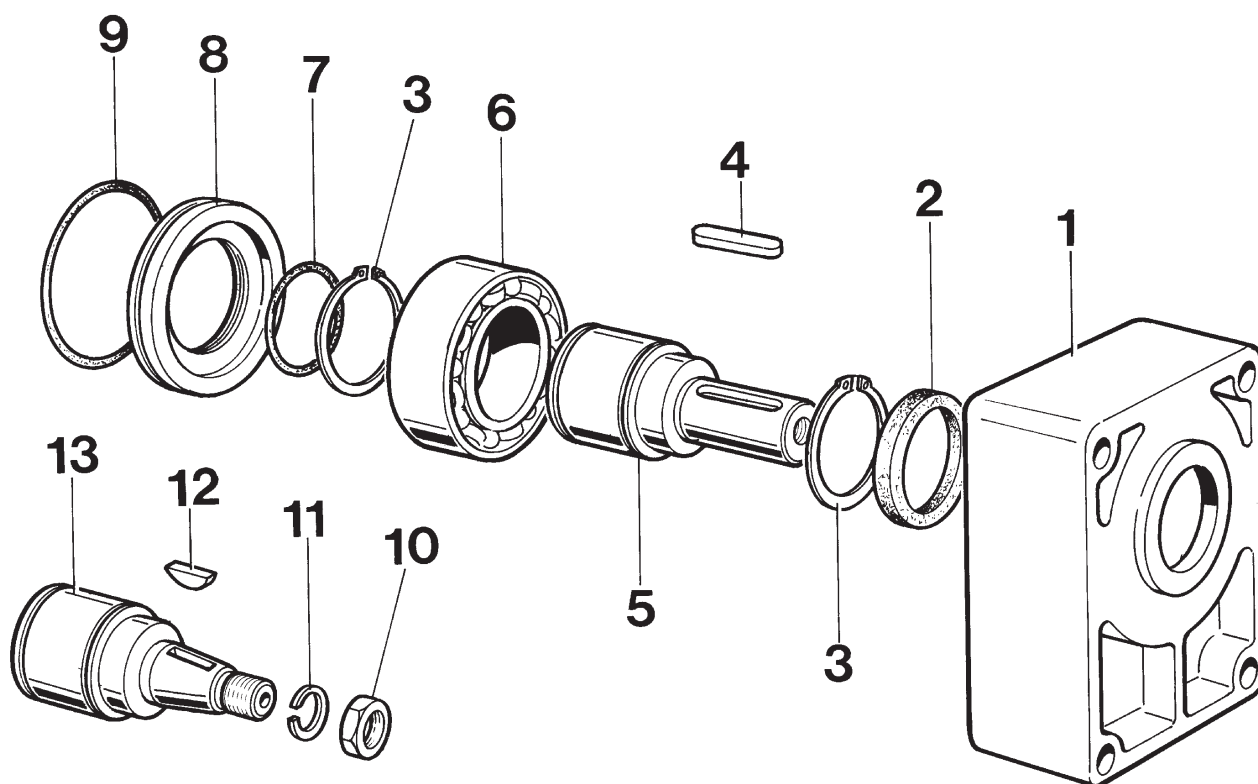
25604-4



Z18 35x31 DIN5482

Reinforced Pump Front Bearing Series 25404-4 - 25604-4

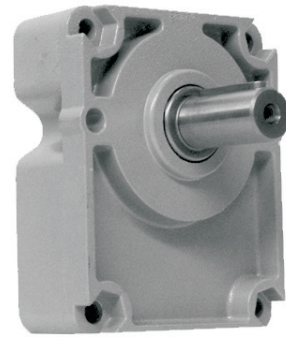
SPARE PARTS LIST



Ref.	CODE	DESCRIPTION	Q.ty
1	25004/4.1	Housing	1
2	303852	Sealing Ring 38x52x7	1
3	904500	Snap ring UNI 7435 - 45	2
4	428740	Key 8x7x40 UNI 6604	1
5	AC24/4	Parallel shaft, d = 24 mm.	1
6	503209/Z	Bearing 3209 A	1
7	403200	O-Ring 3200	1
8	COP085	Ring d=85	1
9	404300	O-Ring 4300	1
10	601415	Nut UNI 28675 M14x1.5	1
11	801400	Washer Grower d.14	1
12	700475	Key 4x7.5 UNI 6606	1
13	ACO3/4F	Tapered shaft	1

Pump Front Bearing Series 25404-6 - 25604-6

Front bearing for pump Gr.3
 Pump side centering diam. 50,8 mm.
 Outlet centering diam. 50,8 mm.



ORDER CODE

25404-6

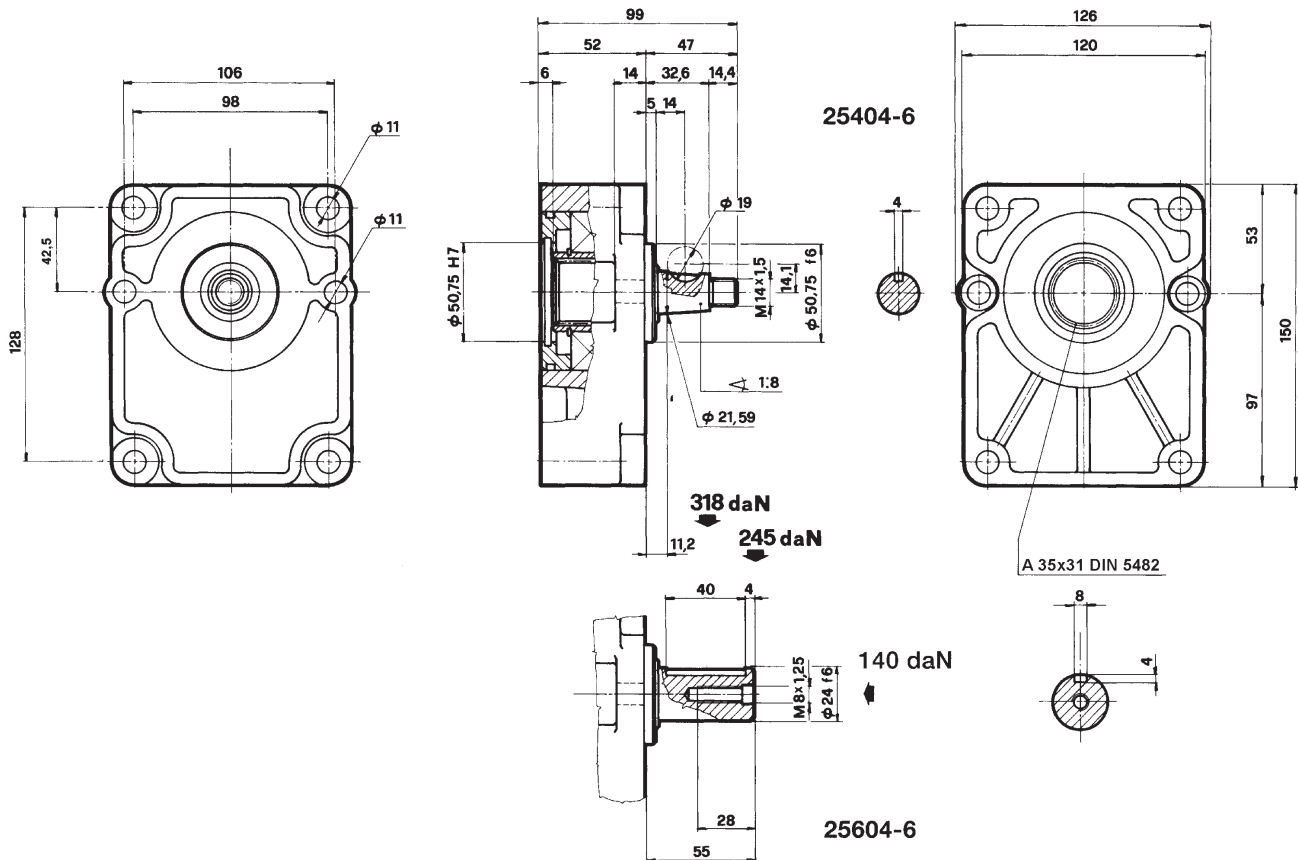


Front bearing for pump Gr.3
 Pump side centering diam. 50,8 mm.
 Outlet centering diam. 50,8 mm.

Outlet shaft
 Tapered 1:8 - 22,2 diam. = 25404-6
 Parallel 24 mm. diam. = 25604-6

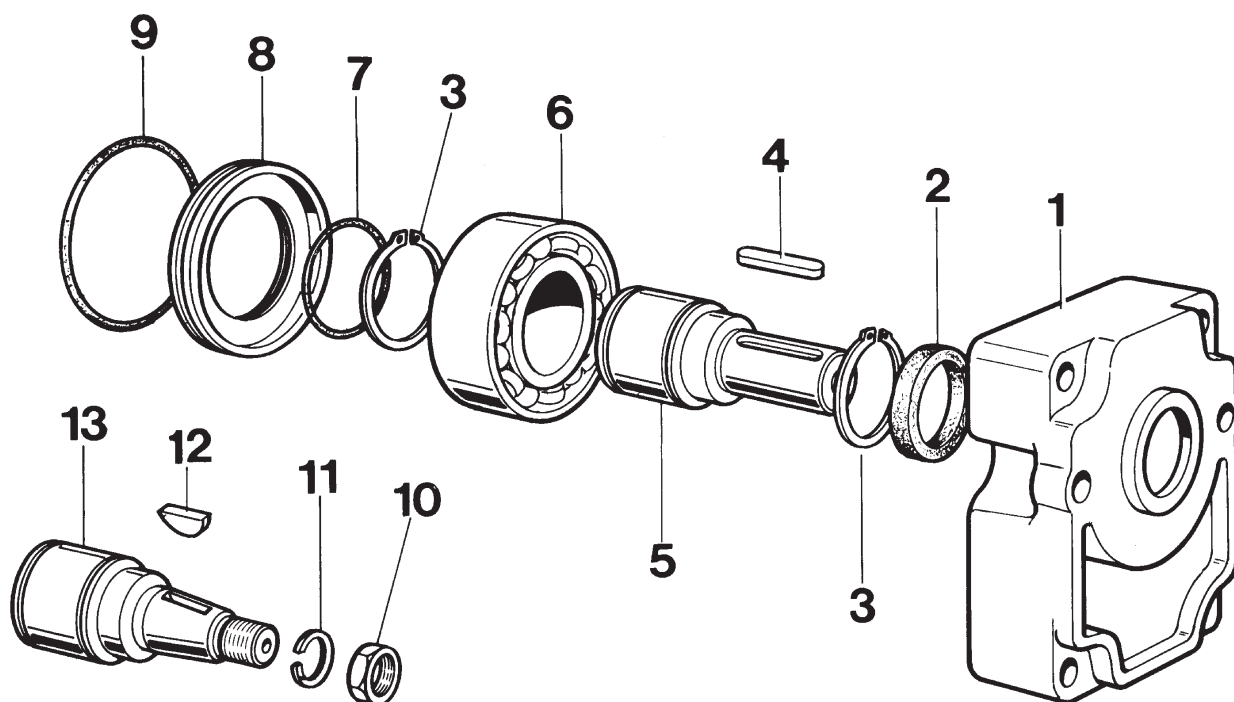
Special versions

INSTALLATION DRAWING



Pump Front Bearing Series 25404-6 - 25604-6

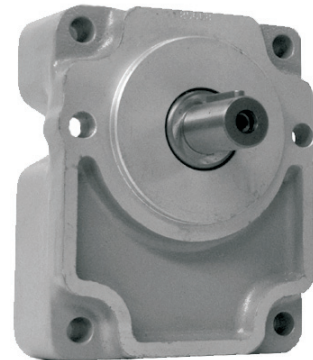
SPARE PARTS LIST



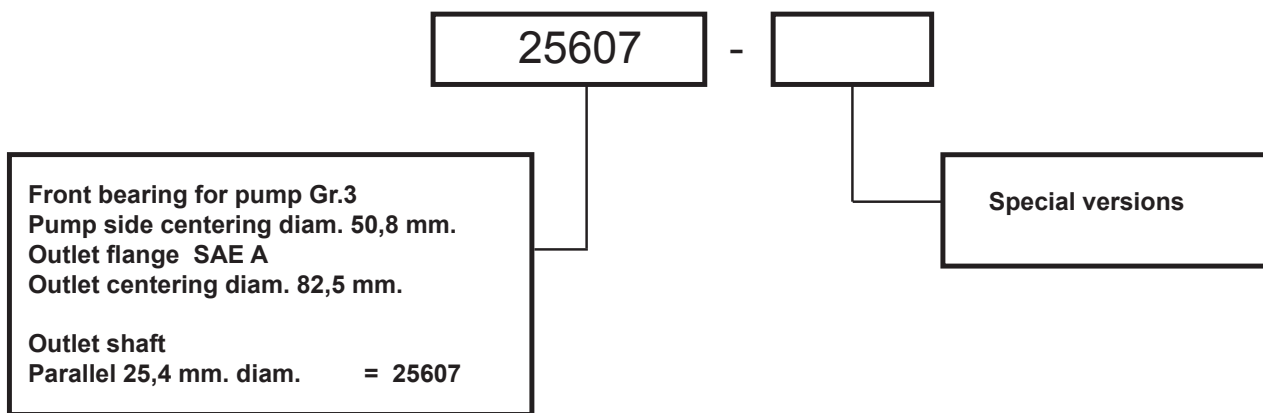
Ref.	CODE	DESCRIPTION	Q.ty
1	25004/6.1	Housing	1
2	303545	Sealing Ring 35x45x7	1
3	904000	Snap ring UNI 7435 - 40	2
4	428740	Key 8x7x40 UNI 6604	1
5	AC24	Parallel shaft, d = 24 mm.	1
6	503208/Z	Bearing 3208A	1
7	403200	O-Ring 3200	1
8	25003/C.1	Ring d=80	1
9	401740	O-Ring 174	1
10	601415	Nut UNI 28675 M14x1.5	1
11	801400	Washer Grower d.14	1
12	700475	Key 4x7.5 UNI 6606	1
13	ACO3/6F	Tapered shaft	1

Pump Front Bearing Series 25607

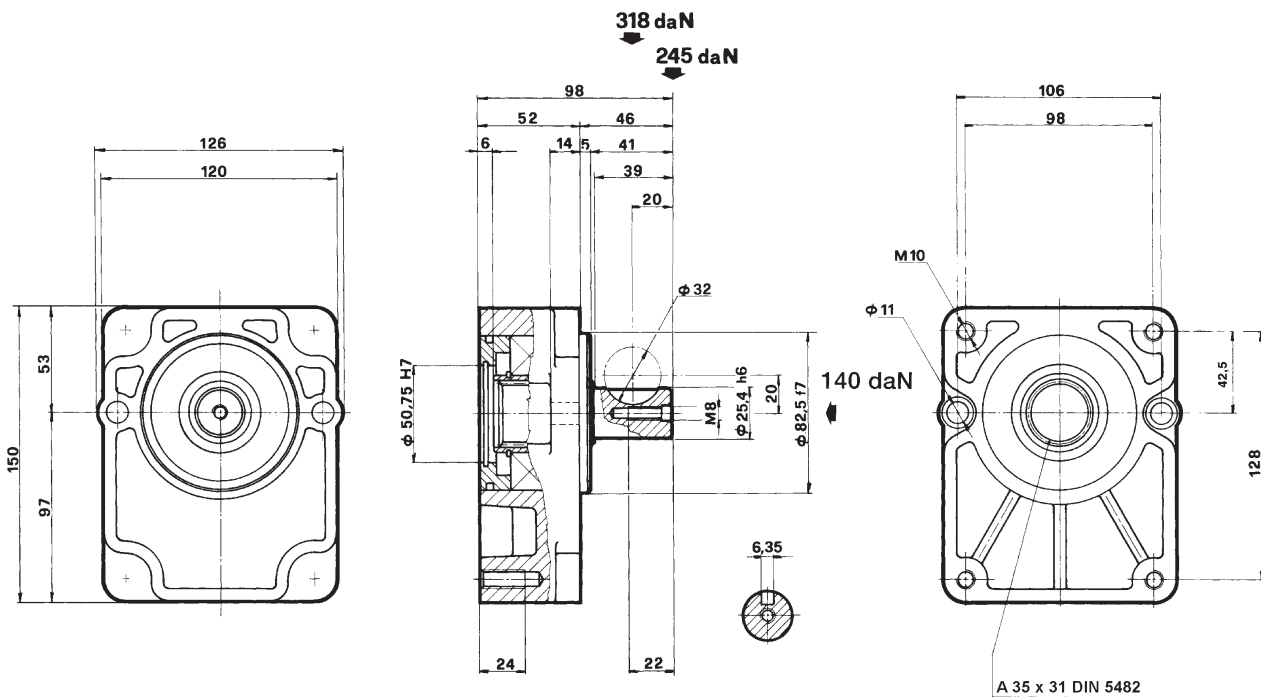
Front bearing for pump Gr.3 - SAE A
 Pump side centering diam. 50,8 mm.
 Outlet centering diam. 82,5 mm.



ORDER CODE

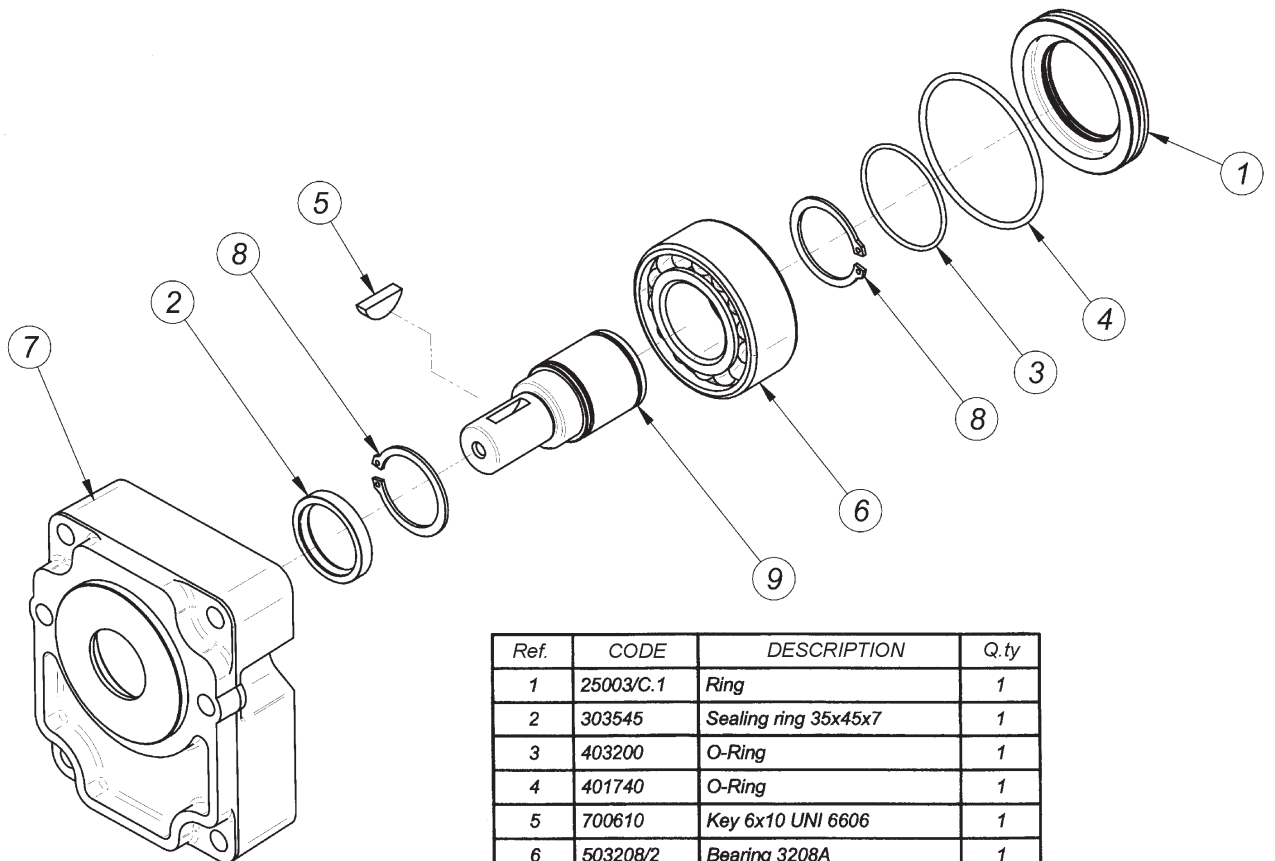


INSTALLATION DRAWING



Pump Front Bearing Series 25607

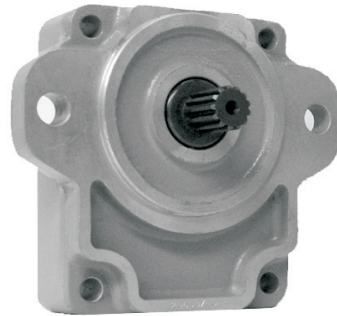
SPARE PARTS LIST



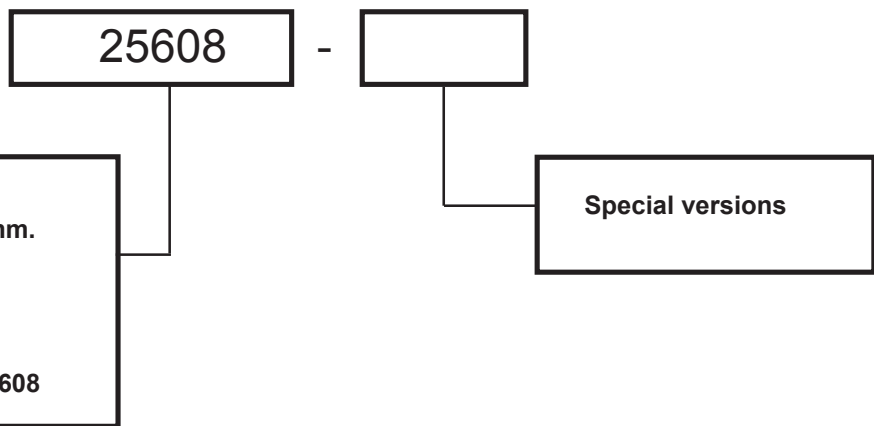
Ref.	CODE	DESCRIPTION	Q.ty
1	25003/C.1	Ring	1
2	303545	Sealing ring 35x45x7	1
3	403200	O-Ring	1
4	401740	O-Ring	1
5	700610	Key 6x10 UNI 6606	1
6	503208/2	Bearing 3208A	1
7	25007.1	Housing	1
8	904000	Snap ring UNI 7435 - 40	2
9	AC 25.4	Parallel shaft, d = 40 mm.	1

Pump Front Bearing Series 25608

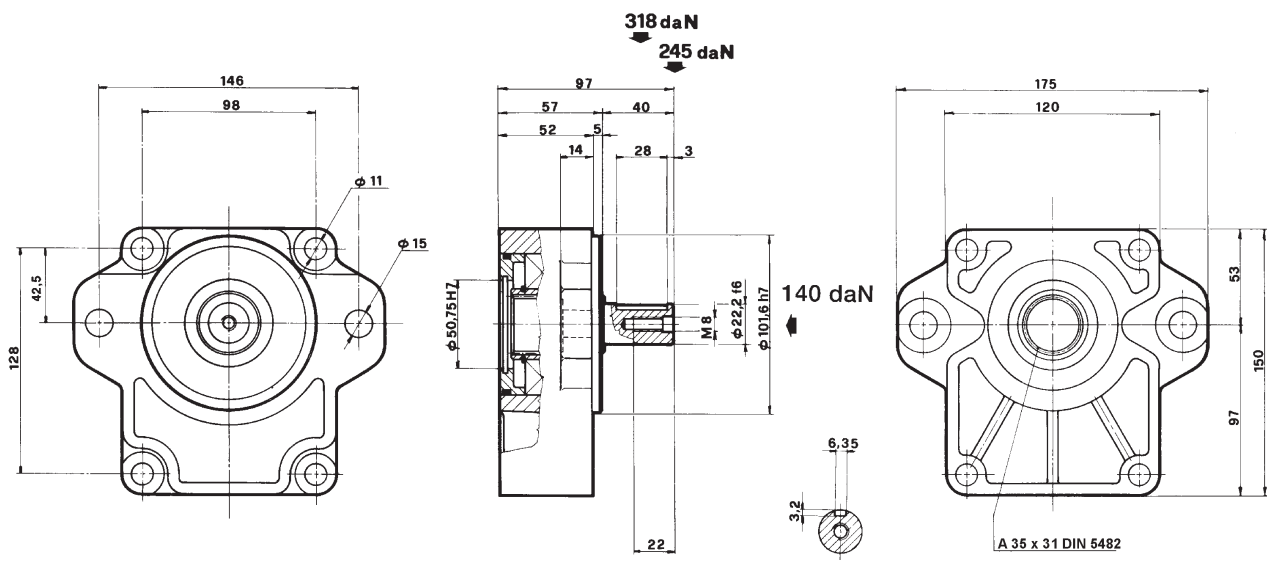
Front bearing for pump Gr.3 - SAE B
 Pump side centering diam. 50,8 mm.
 Outlet centering diam. 101,6 mm.



ORDER CODE



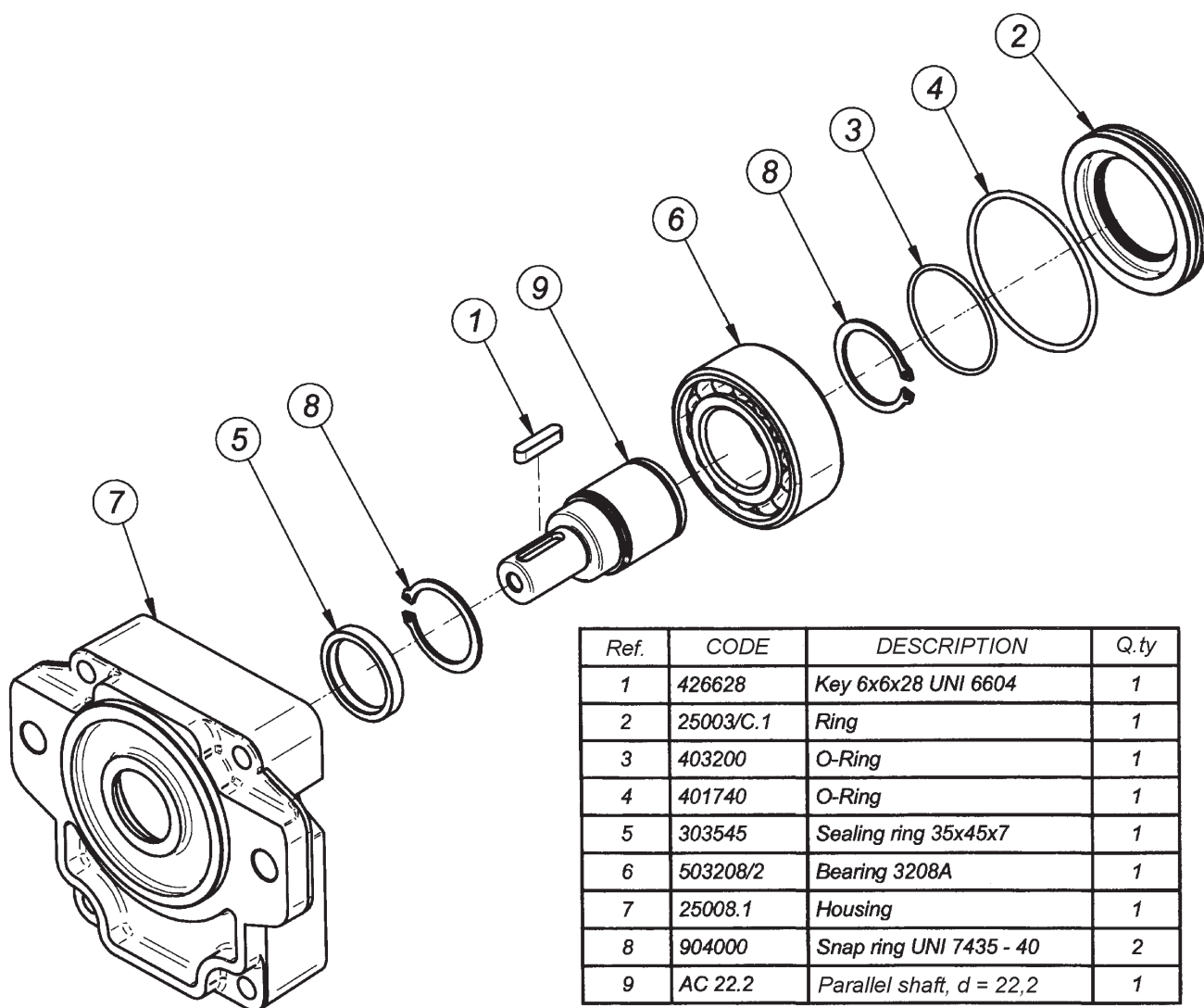
INSTALLATION DRAWING



25608

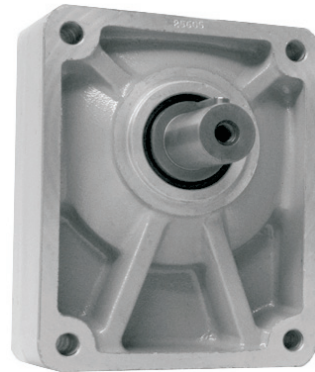
Pump Front Bearing Series 25608

SPARE PARTS LIST

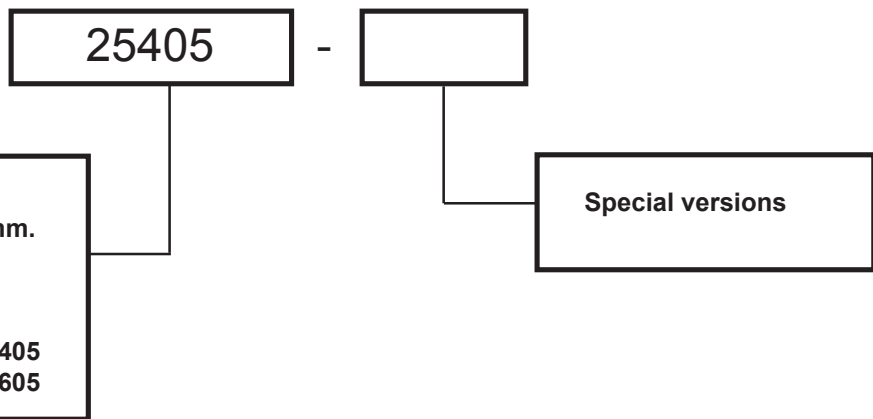


Pump Front Bearing Series 25405 - 25605

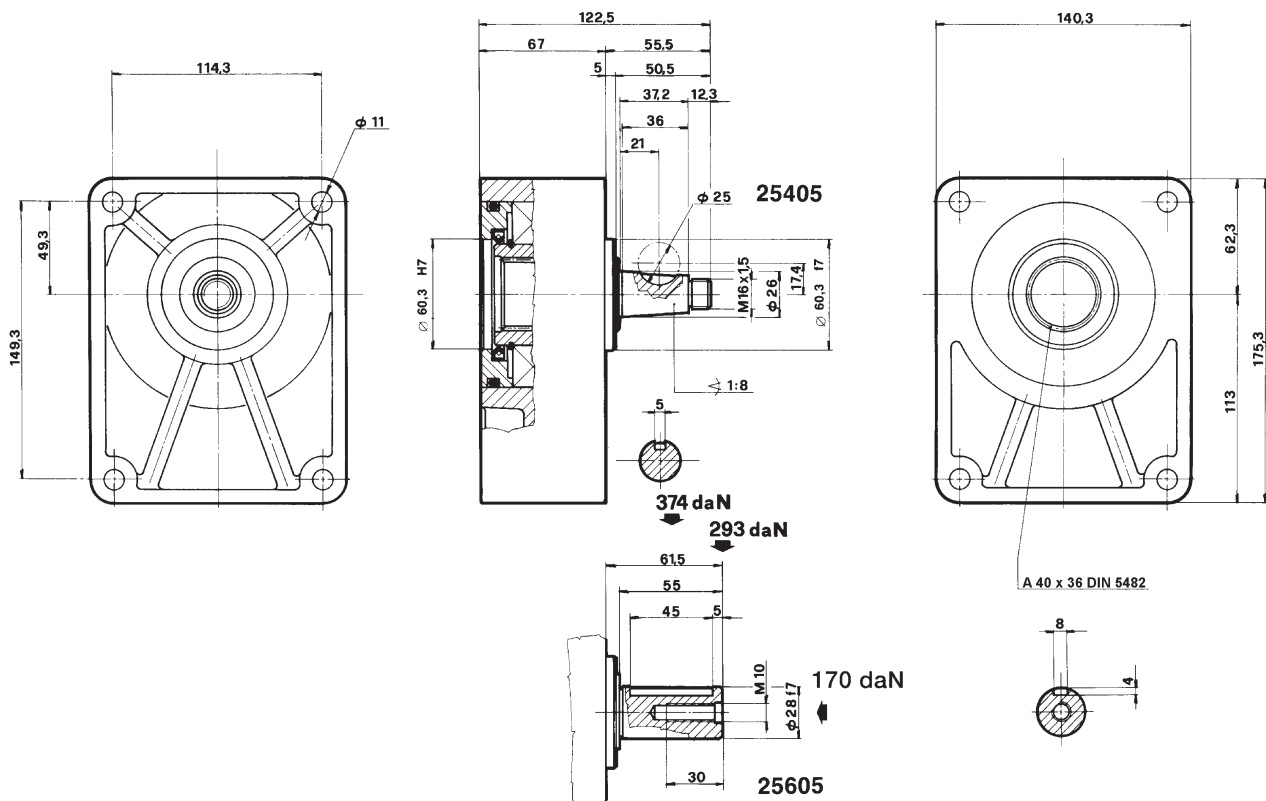
Front bearing for pump Gr.3,5
 Pump side centering diam. 60,3 mm.
 Outlet centering diam. 60,3 mm.



ORDER CODE

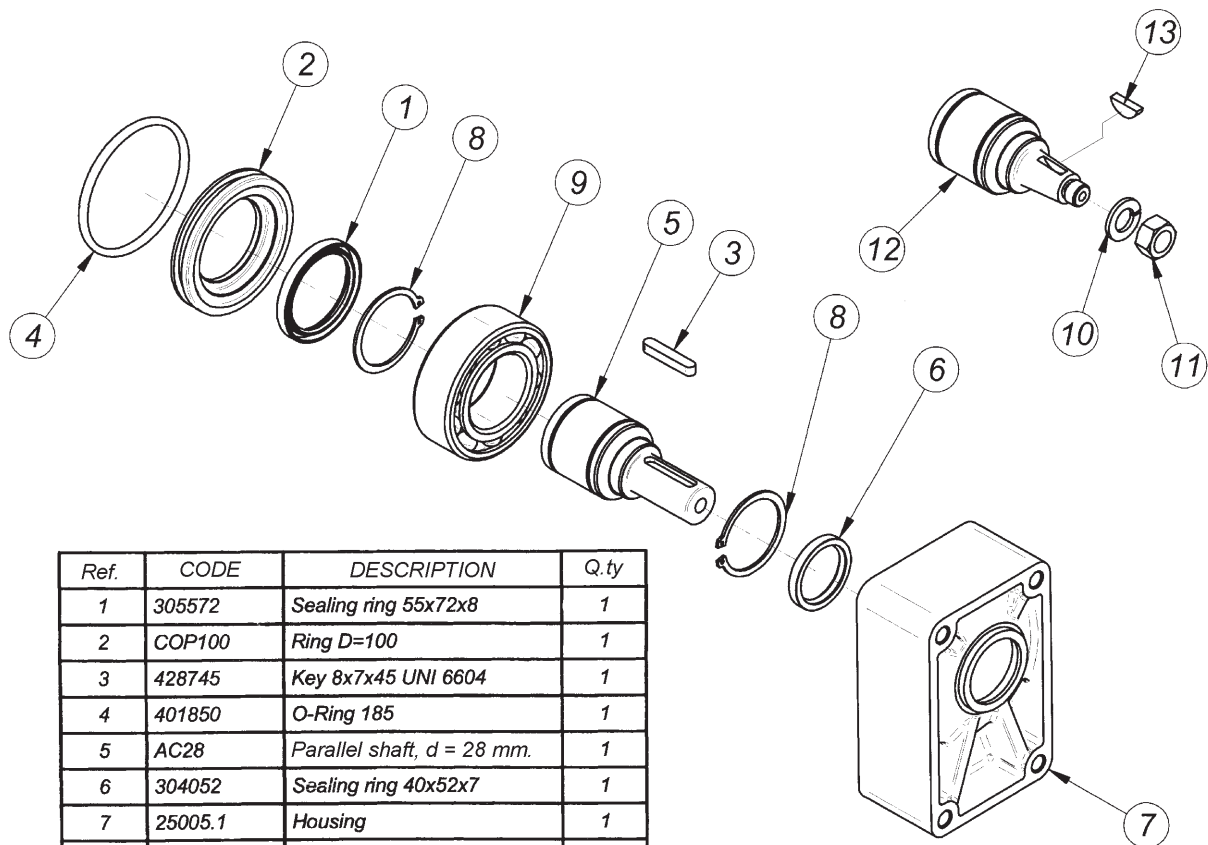


INSTALLATION DRAWING



Pump Front Bearing Series 25405 - 25605

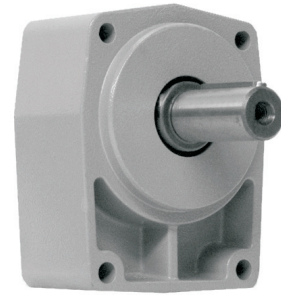
SPARE PARTS LIST



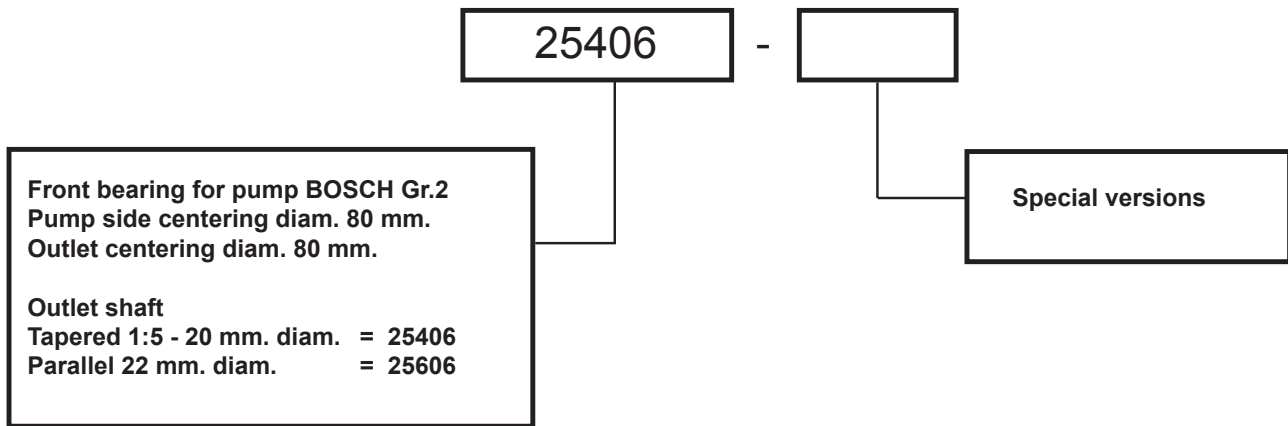
Ref.	CODE	DESCRIPTION	Q.ty
1	305572	Sealing ring 55x72x8	1
2	COP100	Ring D=100	1
3	428745	Key 8x7x45 UNI 6604	1
4	401850	O-Ring 185	1
5	AC28	Parallel shaft, d = 28 mm.	1
6	304052	Sealing ring 40x52x7	1
7	25005.1	Housing	1
8	905500	Snap ring UNI 7435 - 55	2
9	503211/Z	Bearing 3211	1
10	801600	Washer UNI 8839 B 16	1
11	601615	Nut M16x1.5	1
12	AC03.5	Tapered shaft	1
13	700510	Key 5x10 UNI 6606	1

Pump Front Bearing Series 25406 - 25606

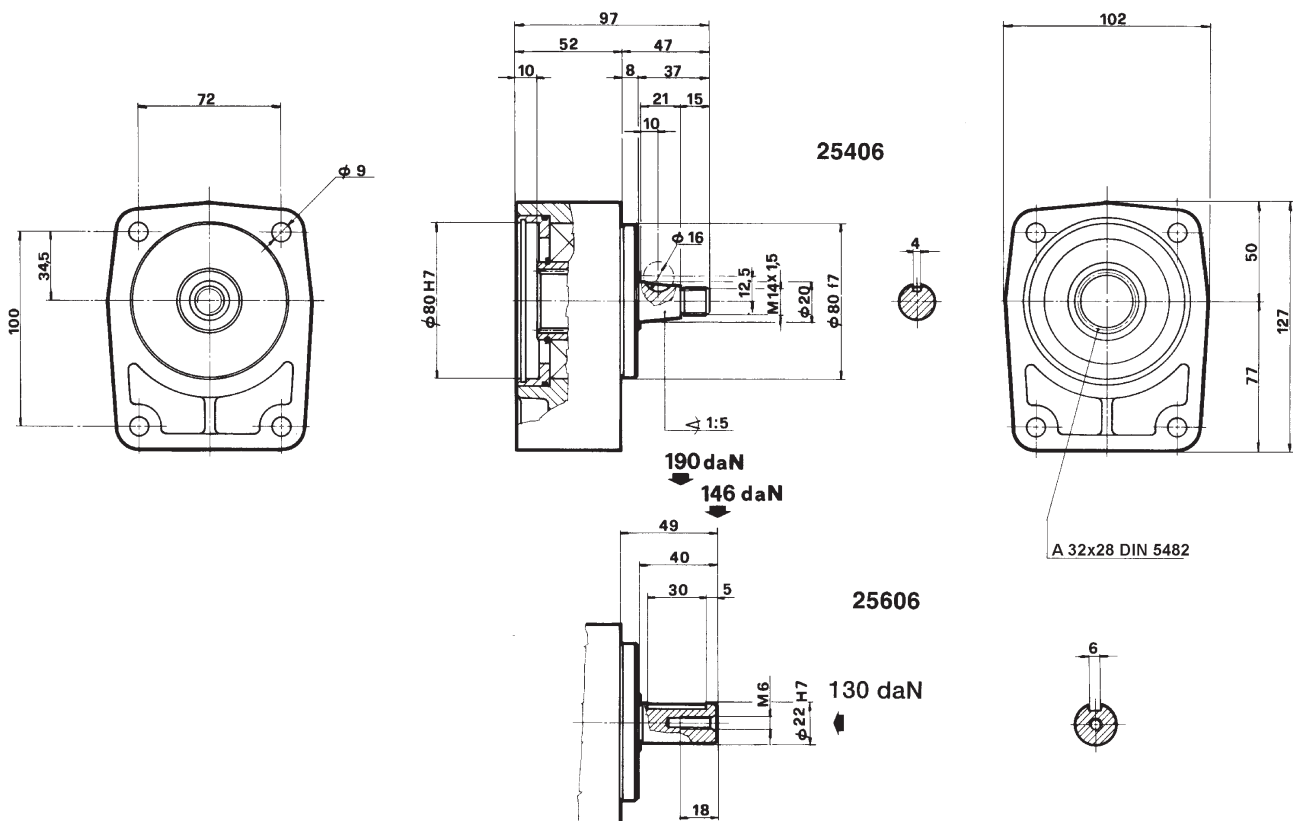
Front bearing for pump BOSCH Gr.2
 Pump side centering diam. 80 mm.
 Outlet centering diam. 80 mm.



ORDER CODE

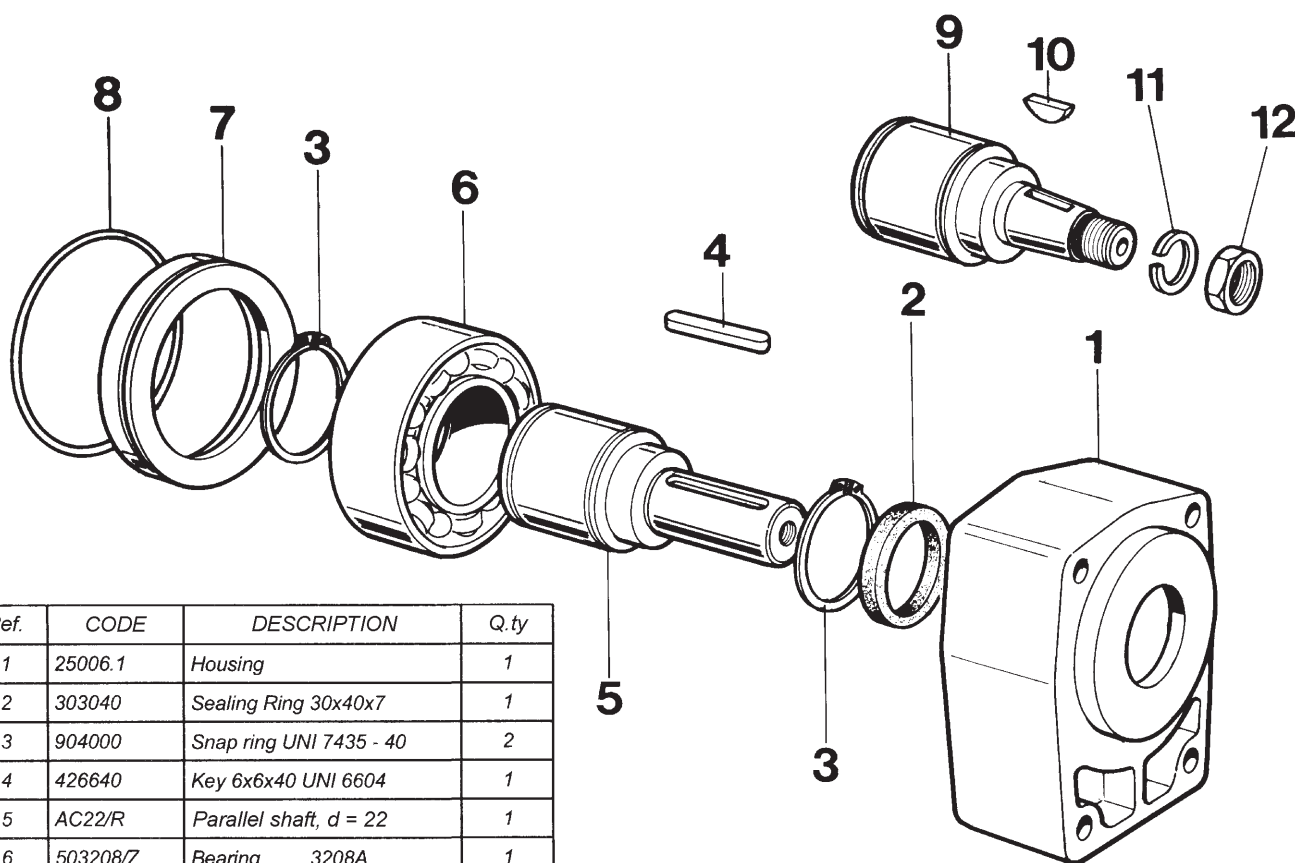


INSTALLATION DRAWING



Pump Front Bearing Series 25406 - 25606

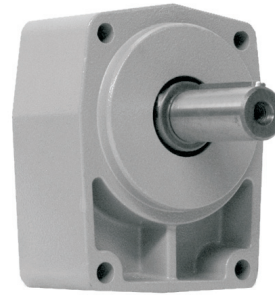
SPARE PARTS LIST



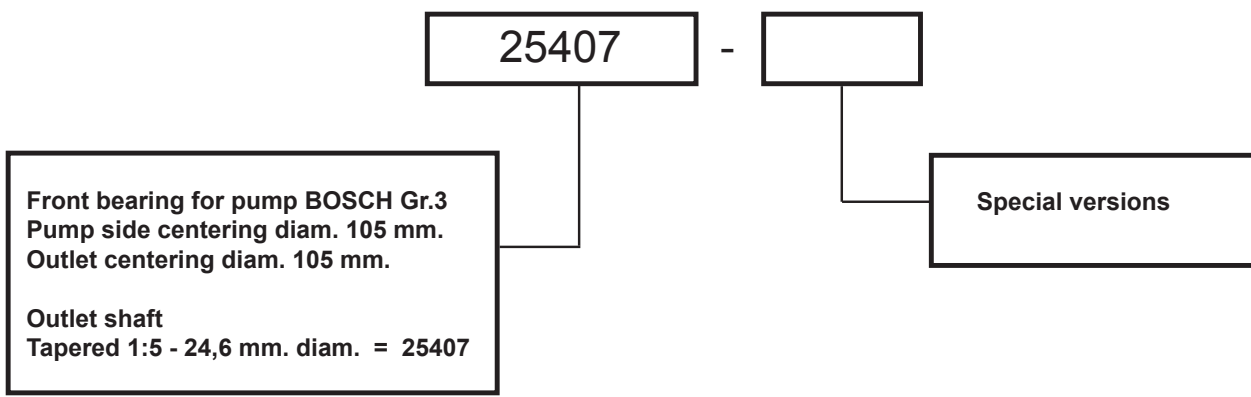
Ref.	CODE	DESCRIPTION	Q.ty
1	25006.1	Housing	1
2	303040	Sealing Ring 30x40x7	1
3	904000	Snap ring UNI 7435 - 40	2
4	426640	Key 6x6x40 UNI 6604	1
5	AC22/R	Parallel shaft, d = 22	1
6	503208/Z	Bearing 3208A	1
7	COP088	Ring d=88	1
8	418025	O-Ring 80x2.5	2
9	ACO2/B	Tapered shaft	1
10	700465	Key 4x6.5x16 UNI 6606	1
11	801400	Washer Grower d.14	1
12	601415	Nut UNI 28675 M14x1.5	1

Pump Front Bearing Series 25407 (only on request)

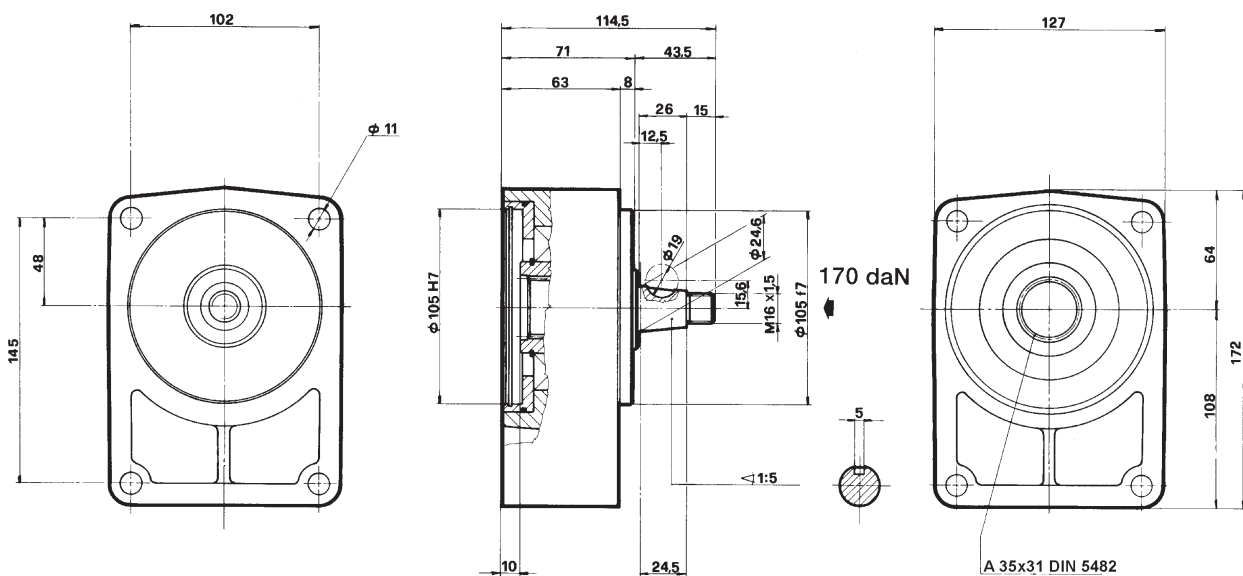
Front bearing for pump BOSCH Gr.3
 Pump side centering diam. 105 mm.
 Outlet centering diam. 105 mm.



ORDER CODE



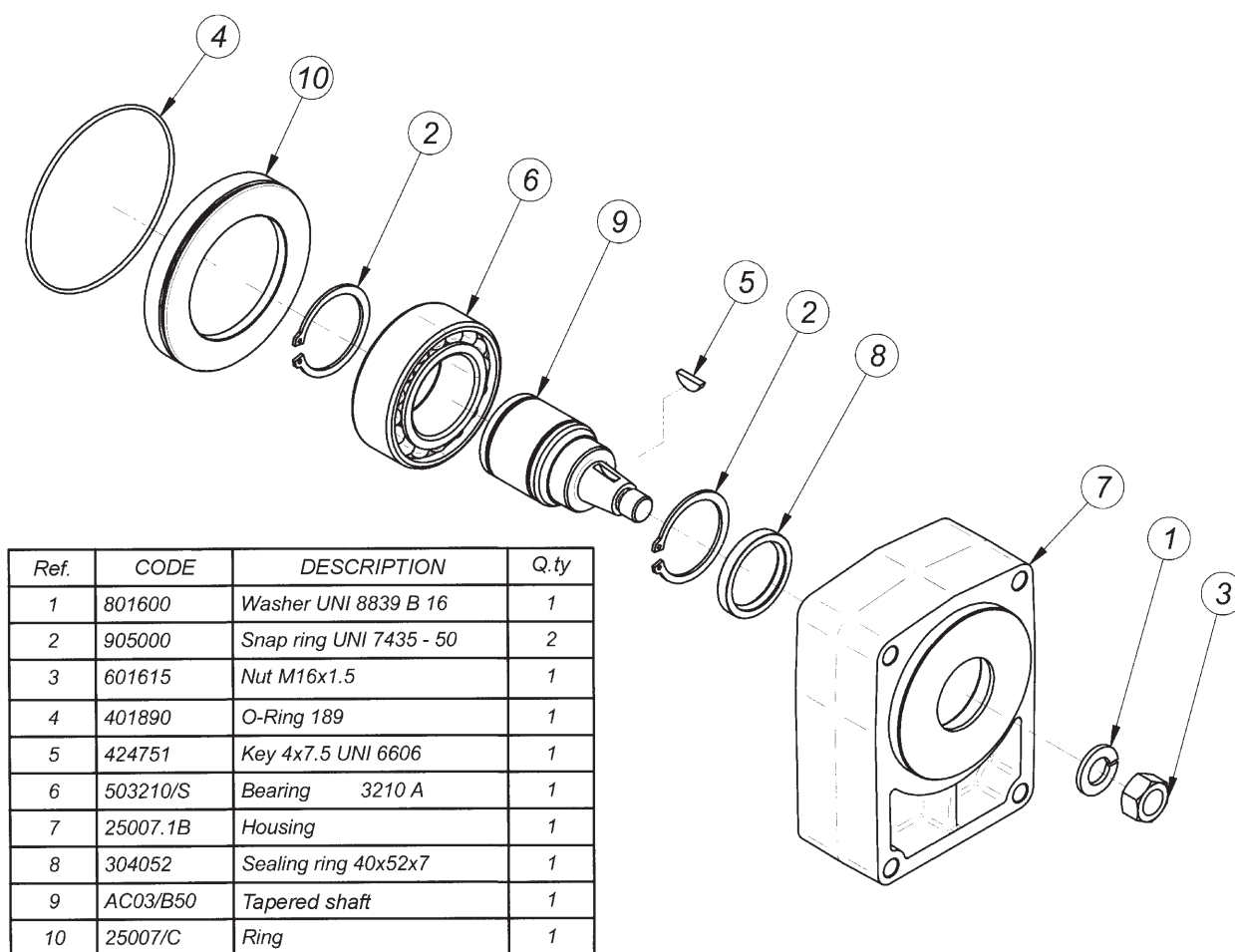
INSTALLATION DRAWING



25407

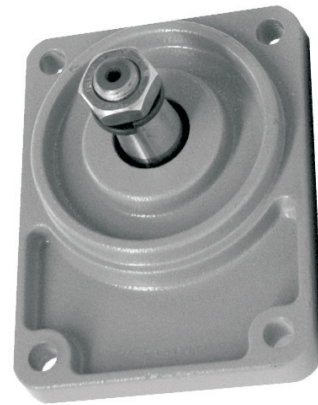
Pump Front Bearing Series 25407

SPARE PARTS LIST

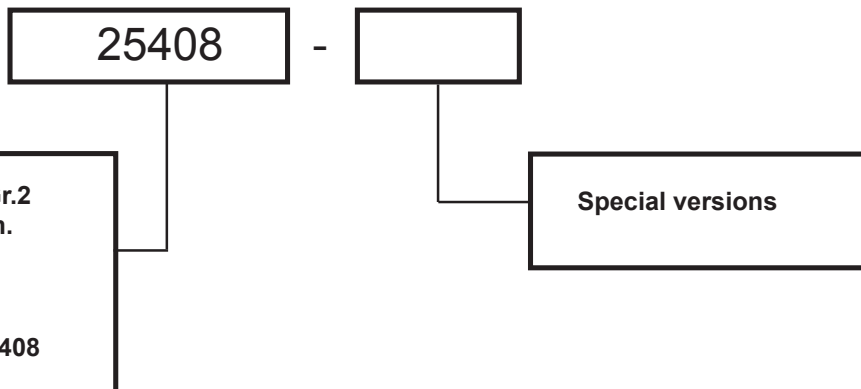


Pump Front Bearing Series 25408

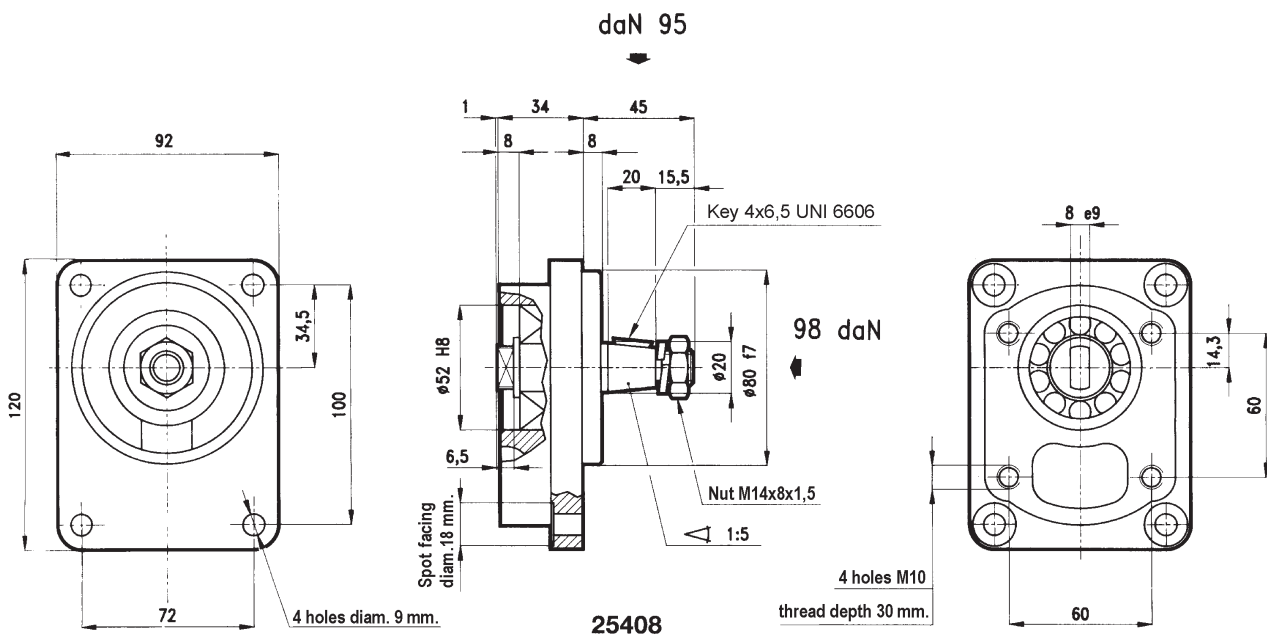
Front bearing for pump BOSCH Gr.2
 Pump side centering diam. 52 mm.
 Outlet centering diam. 80 mm.



ORDER CODE

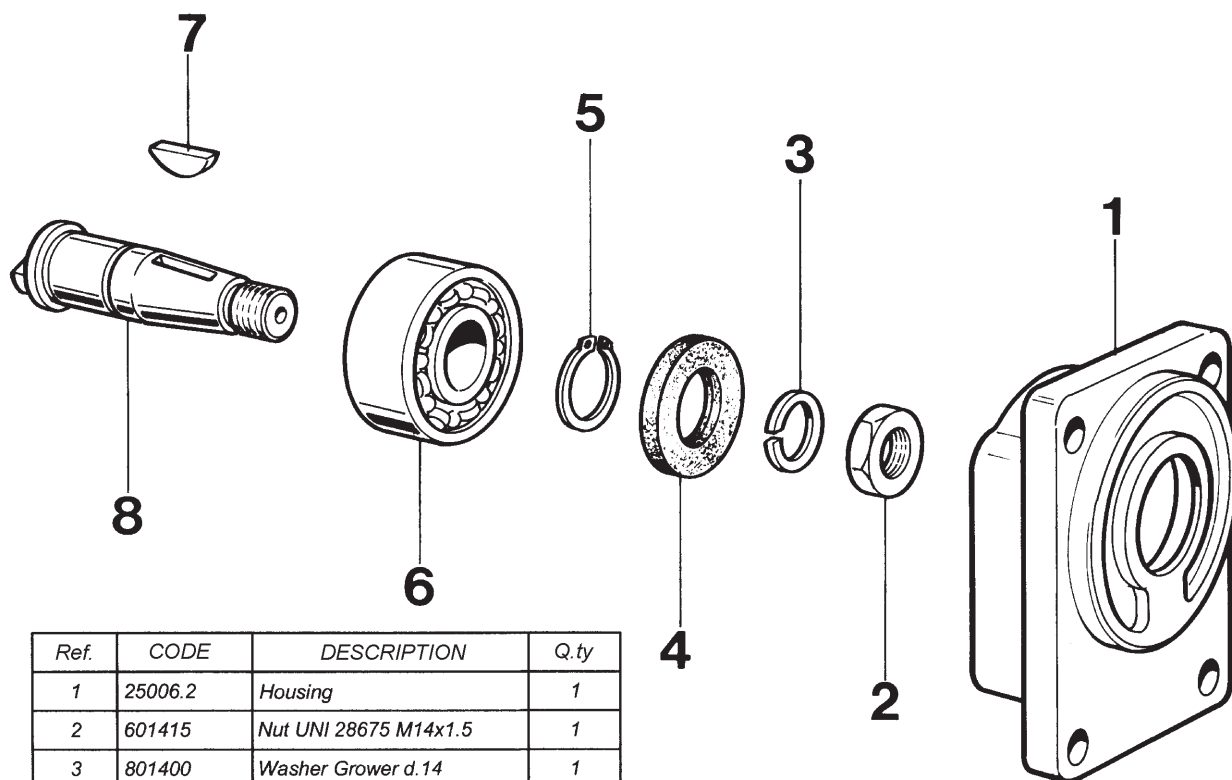


INSTALLATION DRAWING



Pump Front Bearing Series 25408

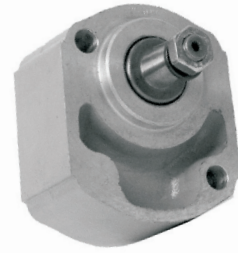
SPARE PARTS LIST



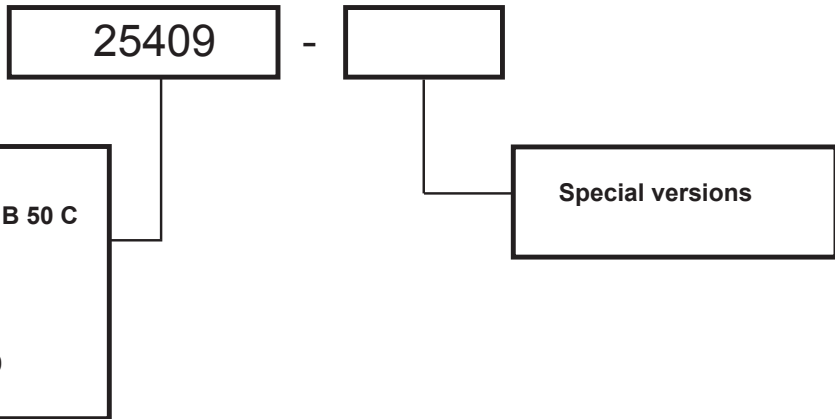
Ref.	CODE	DESCRIPTION	Q.ty
1	25006.2	Housing	1
2	601415	Nut UNI 28675 M14x1.5	1
3	801400	Washer Grower d.14	1
4	302040	Sealing Ring 20x40x7	1
5	902000	Snap ring UNI 7435 - 20	1
6	503304/Z	Bearing 3304 A	1
7	700465	Key 4x6.5x16 UNI 6606	1
8	ACO2/S	Tapered shaft	1

Pump Front Bearing Series 25409

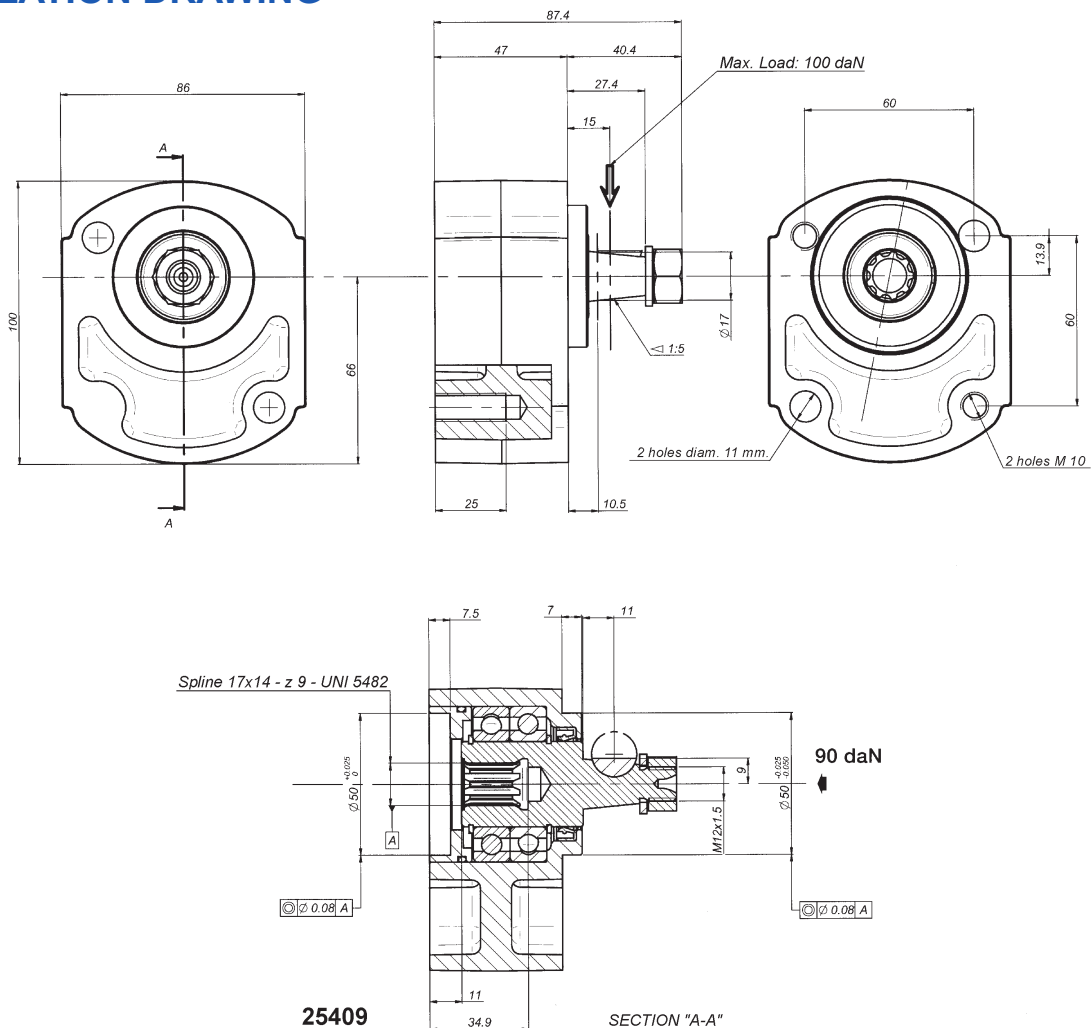
Front bearing for pump BOSCH Gr.2 B 50 C
 Pump side centering diam. 50 mm.
 Outlet centering diam. 50 mm.



ORDER CODE

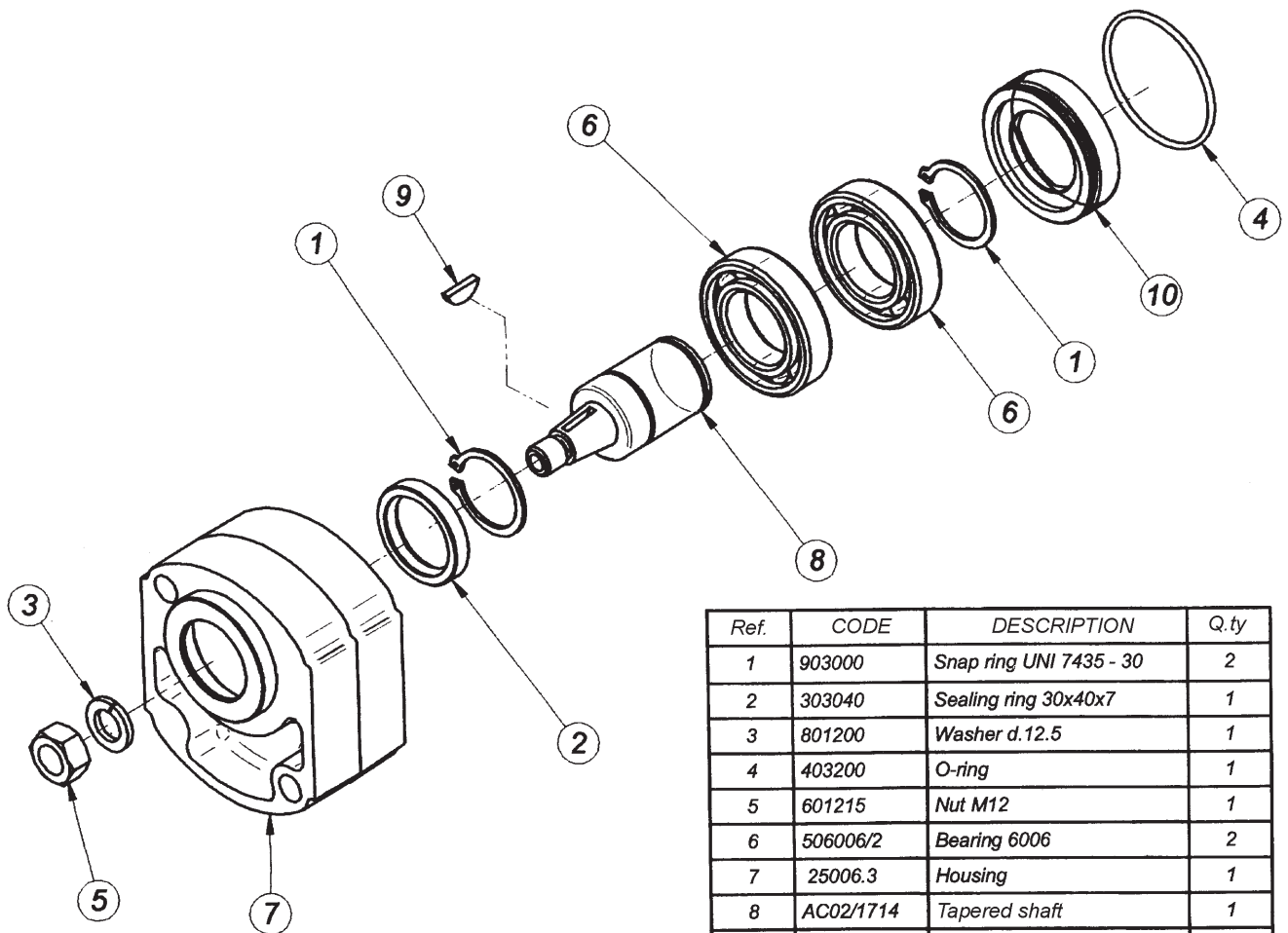


INSTALLATION DRAWING



Pump Front Bearing Series 25409

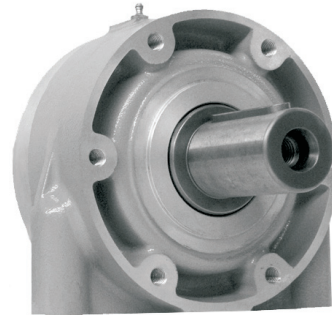
SPARE PARTS LIST



Ref.	CODE	DESCRIPTION	Q.ty
1	903000	Snap ring UNI 7435 - 30	2
2	303040	Sealing ring 30x40x7	1
3	801200	Washer d.12.5	1
4	403200	O-ring	1
5	601215	Nut M12	1
6	506006/2	Bearing 6006	2
7	25006.3	Housing	1
8	AC02/1714	Tapered shaft	1
9	700365	Key 3x6.5	1
10	COPO55	Ring	1

Pump Front Bearing Series 25609

Front bearing for pump Gr.4 UNIVERSAL
 Pump side centering diam. 85 mm.
 Outlet centering diam. 85 mm.



ORDER CODE

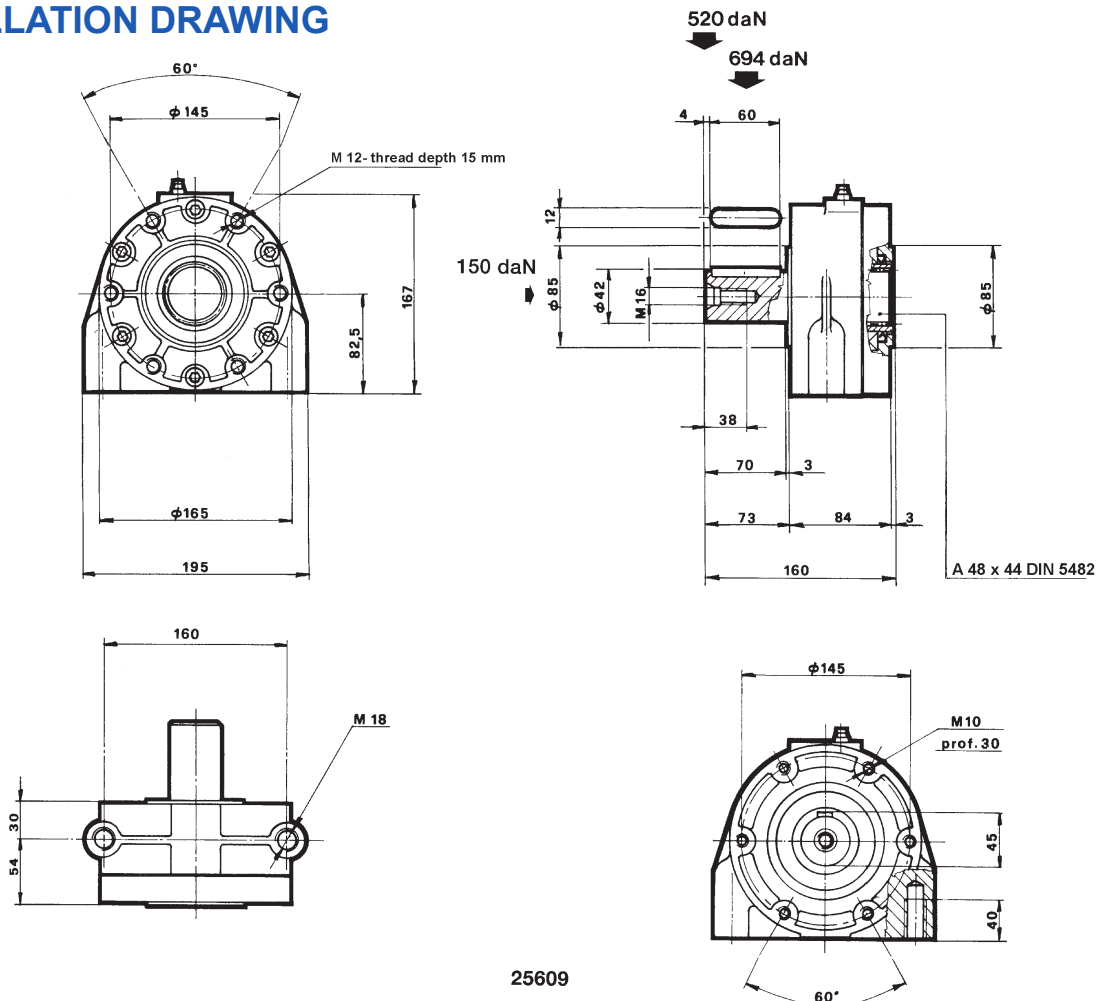
25609 -

Front bearing for pump Gr.4 UNIVERSAL
 Pump side centering diam. 85 mm.
 Outlet centering diam. 85 mm.

Outlet shaft
 Parallel 42 mm. diam. = 25609

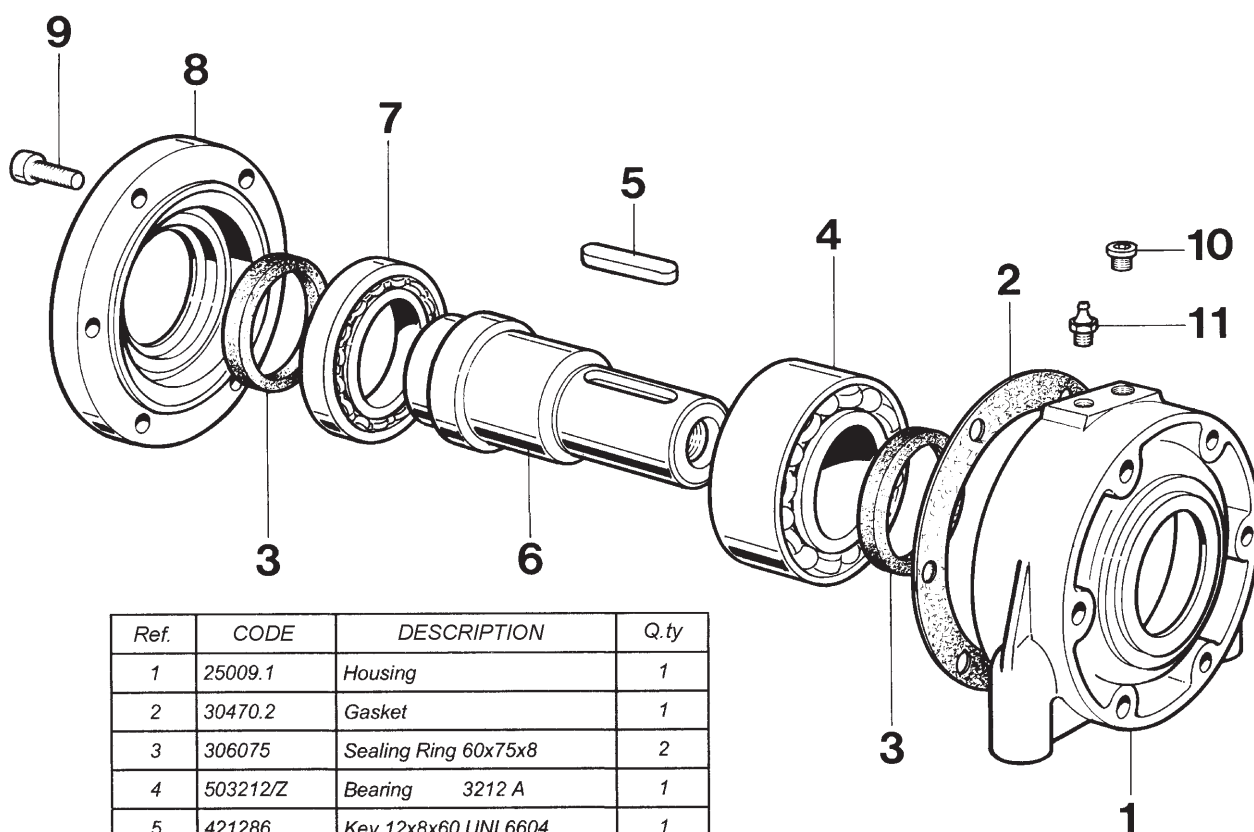
Special versions

INSTALLATION DRAWING



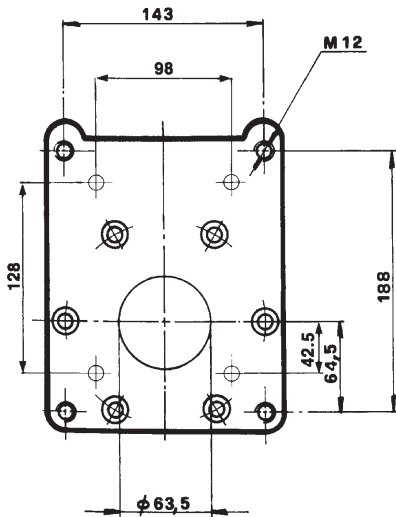
Pump Front Bearing Series 25609

SPARE PARTS LIST

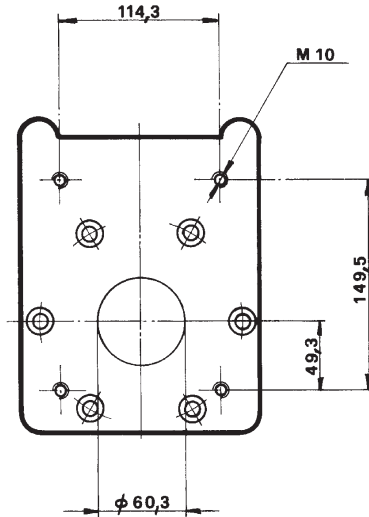


Ref.	CODE	DESCRIPTION	Q. ty
1	25009.1	Housing	1
2	30470.2	Gasket	1
3	306075	Sealing Ring 60x75x8	2
4	503212/Z	Bearing 3212 A	1
5	421286	Key 12x8x60 UNI 6604	1
6	AC 42	Parallel shaft, d= 42 mm.	1
7	501601/Z	Bearing 16012 A	1
8	30470	Flange	1
9	611025	Socket Capscrew M10x25	6
10	940182	Oil drain plug 1/8" G	1
11	500000.1	Greaser UNI 7663-A M8x1,25	1

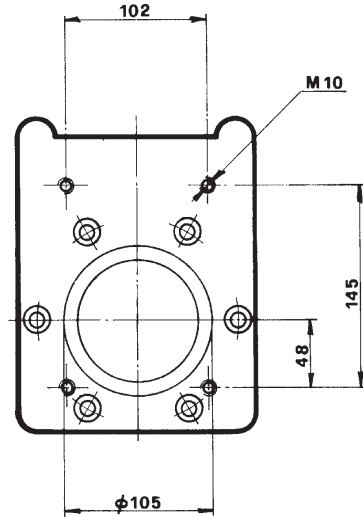
Flanges for Pump Front Bearing Series 25609 - Gr.4 UNIVERSAL



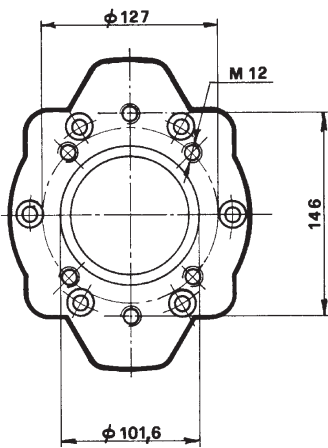
4 P 30403
3 P 30401



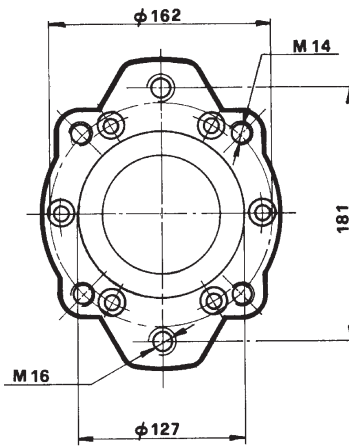
3,5 P 30402



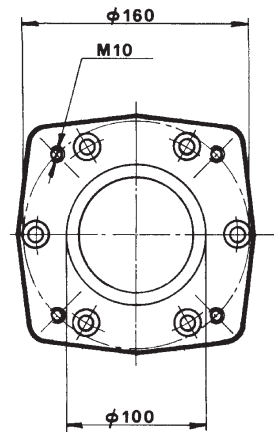
Bosch ZG3 30417



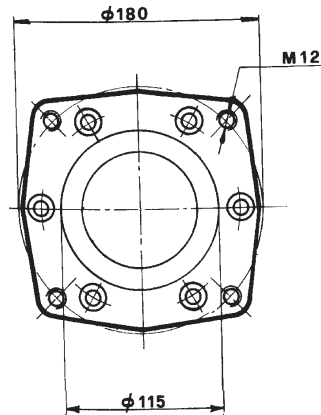
SAE B 2-4 holes
30421 - 30422



SAE C 2-4 holes
30431 - 30432



Linde Guldner PF 20-35-50
30461 - 30462



Linde Guldner PF 75
30463

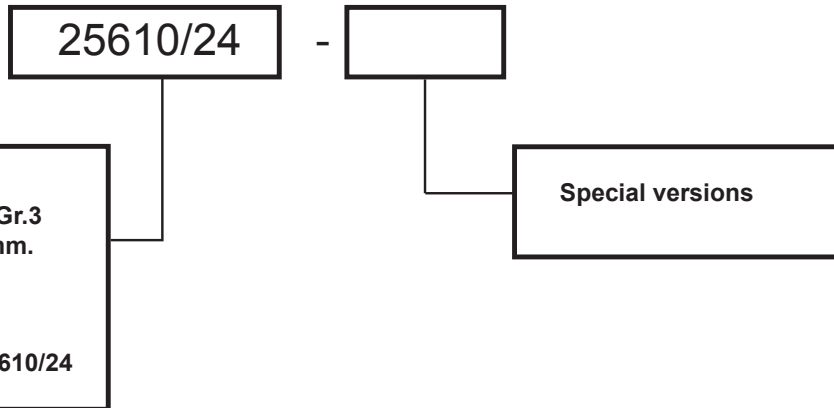
THIS PAGE HAS BEEN DELIBERATELY LEFT BLANK

Cast Iron Pump Front Bearing Series 25610 / 24

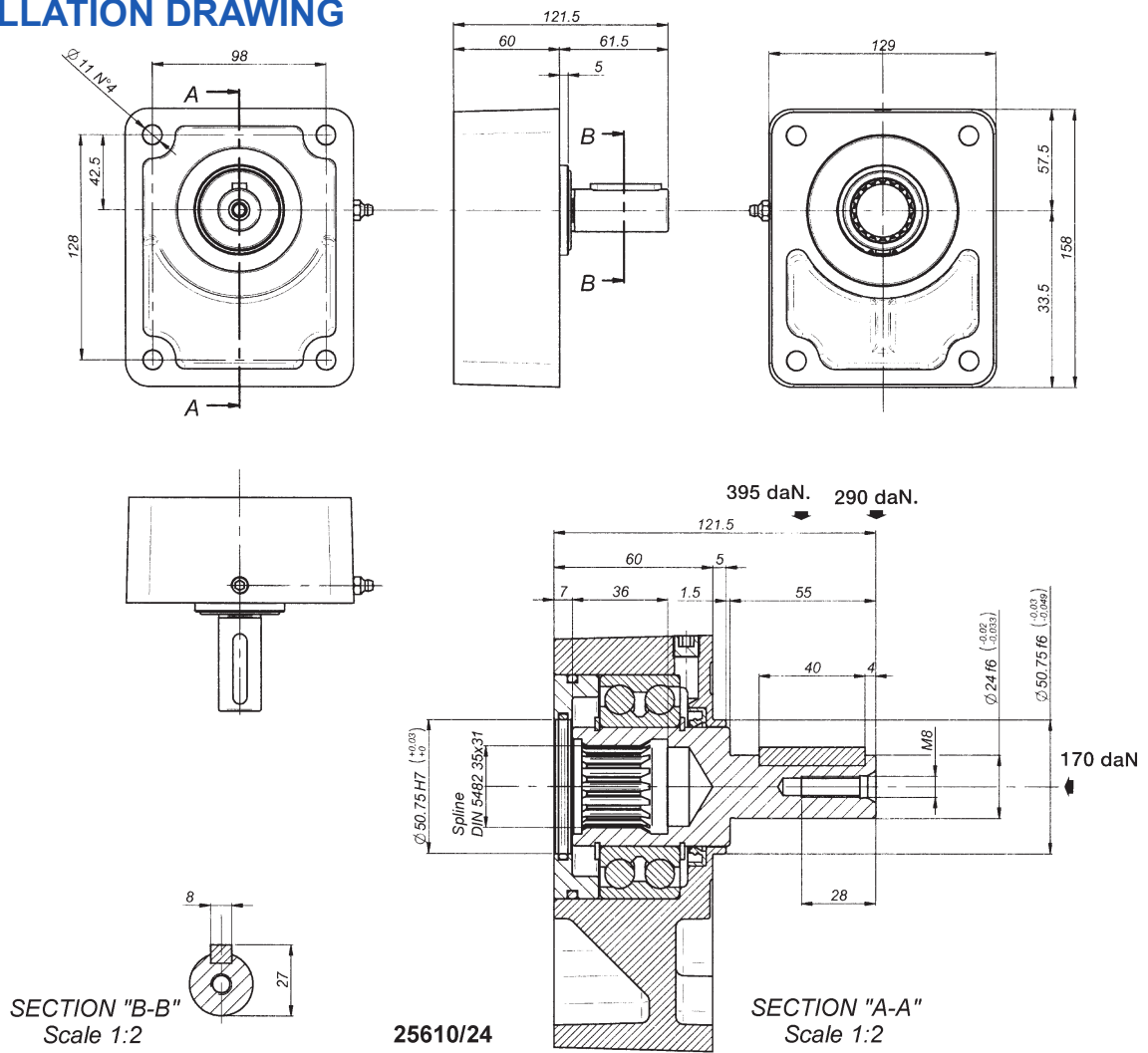
Front bearing for pump Gr.3
 Pump side centering diam. 50,8 mm.
 Outlet centering diam. 50,8 mm.



ORDER CODE

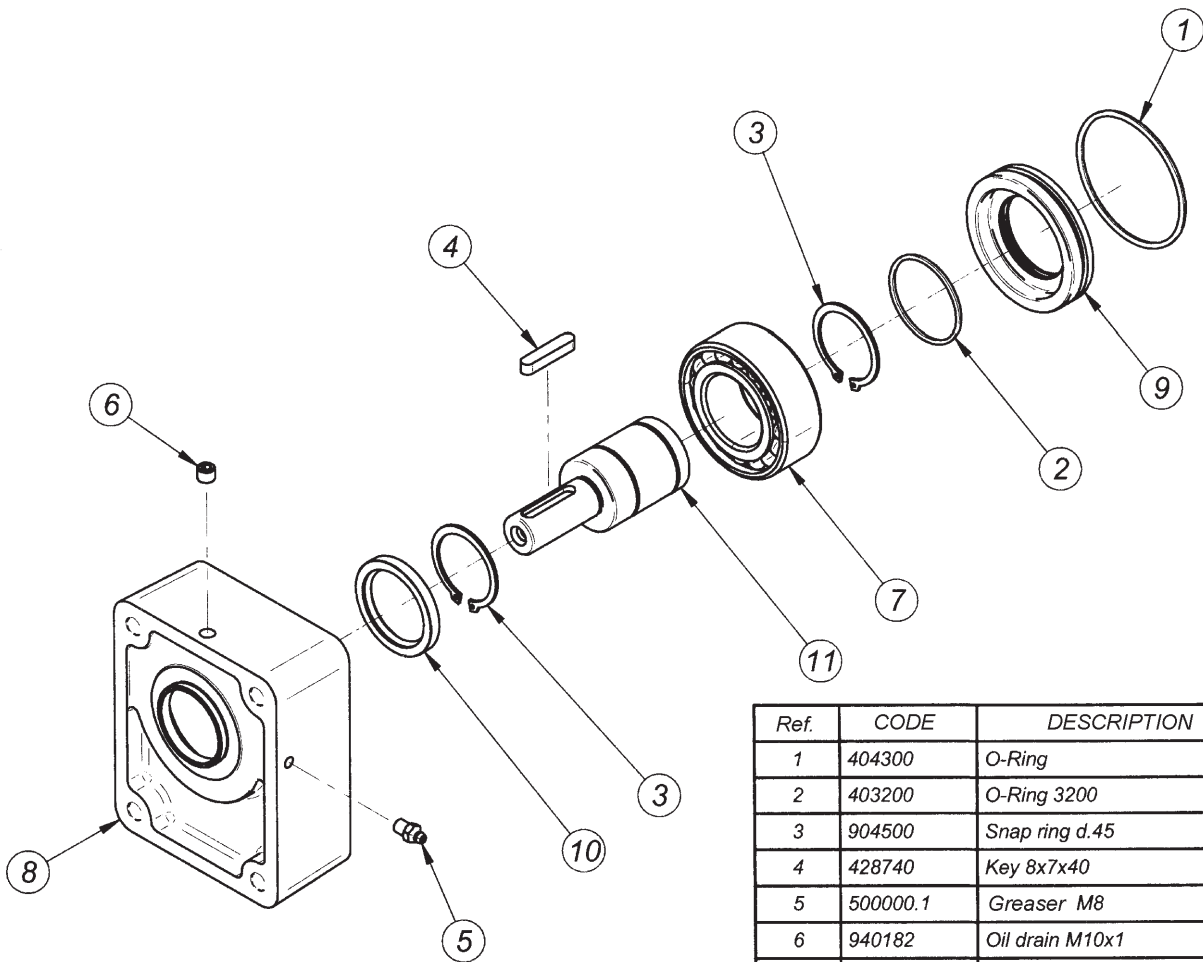


INSTALLATION DRAWING



Cast Iron Pump Front Bearing Series 25610 / 24

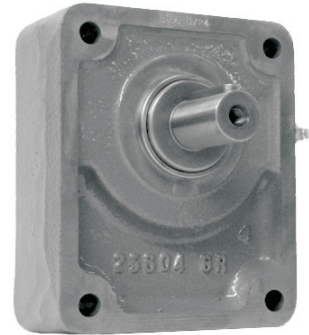
SPARE PARTS LIST



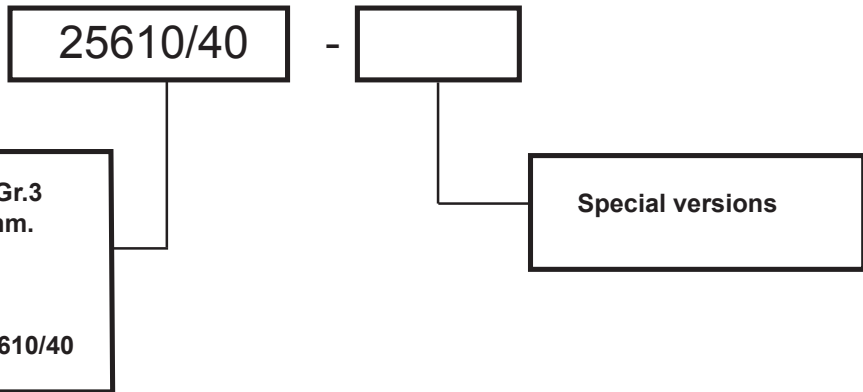
Ref.	CODE	DESCRIPTION	Q.ty
1	404300	O-Ring	1
2	403200	O-Ring 3200	1
3	904500	Snap ring d.45	2
4	428740	Key 8x7x40	1
5	500000.1	Greaser M8	1
6	940182	Oil drain M10x1	1
7	503209/2	Bearing 3209 A	1
8	28000.1	Housing	1
9	COPO85	Ring	1
10	304560	Sealing ring 45x60x7	1
11	AC24/G	Parallel shaft, d = 24 mm.	1

Cast Iron Pump Front Bearing Series 25610 / 40

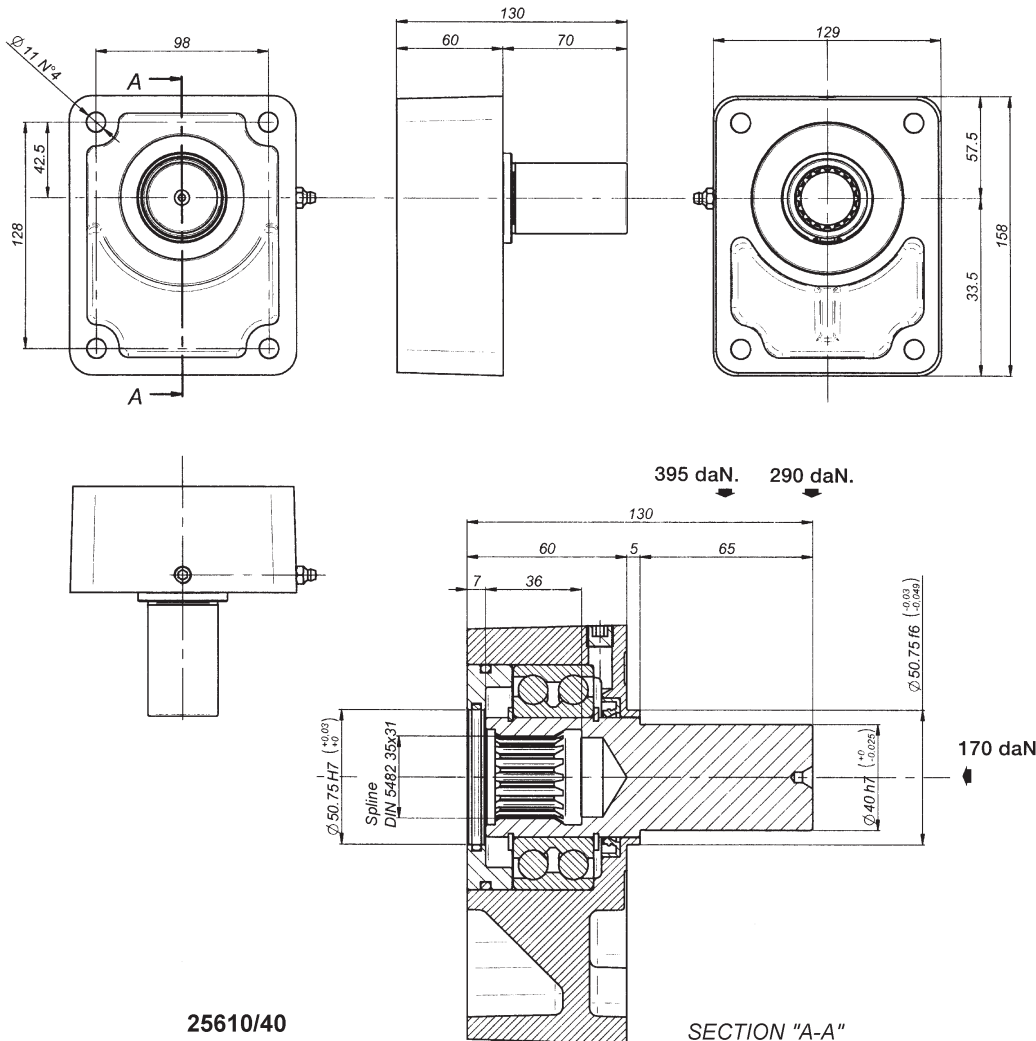
Front bearing for pump Gr.3
 Pump side centering diam. 50,8 mm.
 Outlet centering diam. 50,8 mm.



ORDER CODE

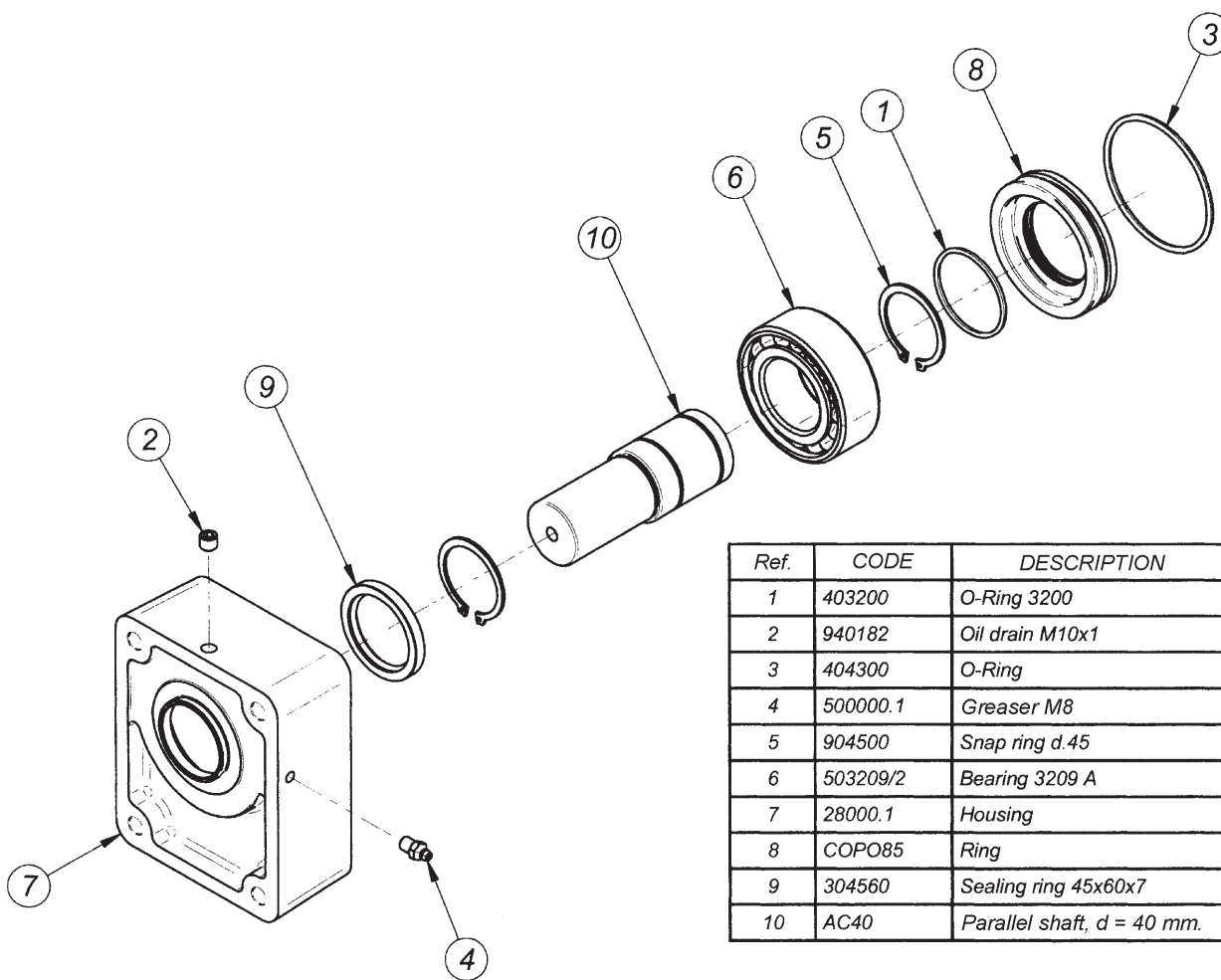


INSTALLATION DRAWING



Cast Iron Pump Front Bearing Series 25610 / 40

SPARE PARTS LIST



Ref.	CODE	DESCRIPTION	Q.ty
1	403200	O-Ring 3200	1
2	940182	Oil drain M10x1	1
3	404300	O-Ring	1
4	500000.1	Greaser M8	1
5	904500	Snap ring d.45	2
6	503209/2	Bearing 3209 A	1
7	28000.1	Housing	1
8	COPO85	Ring	1
9	304560	Sealing ring 45x60x7	1
10	AC40	Parallel shaft, d = 40 mm.	1

As HANSA-TMP has a very extensive range of products and some products have a variety of applications, the information supplied may often only apply to specific situations.

If the catalogue does not supply all the information required, please contact HANSA-TMP.

In order to provide a comprehensive reply to queries we may require specific data regarding the proposed application.

Whilst every reasonable endeavour has been made to ensure accuracy, this publication cannot be considered to represent part of any contract, whether expressed or implied.

HANSA-TMP reserves the right to amend specifications at their discretion.



HANSA-TMP S.r.l.
Via M. L. King, 6 – 41122 Modena (ITALY)
Tel.: +39 059 415 711
Fax: +39 059 415 730
E-mail: hansatmp@hansatmp.it
Website: www.hansatmp.it

Certified Company
ISO 9001:2015 – ISO 14001:2015



Share Capital: € 300.000,00
VAT Number: IT01167360369
REA Number: MO-225785