



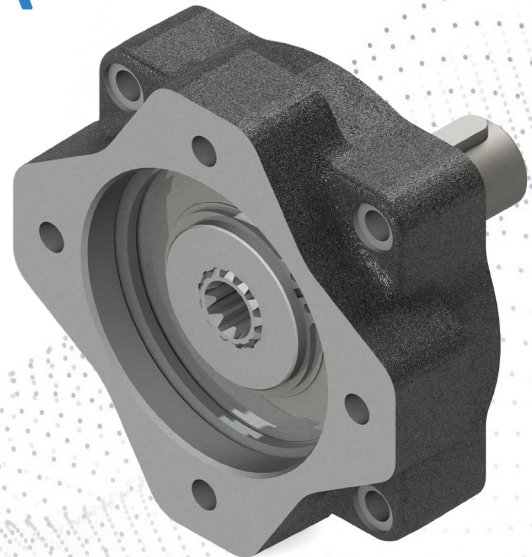
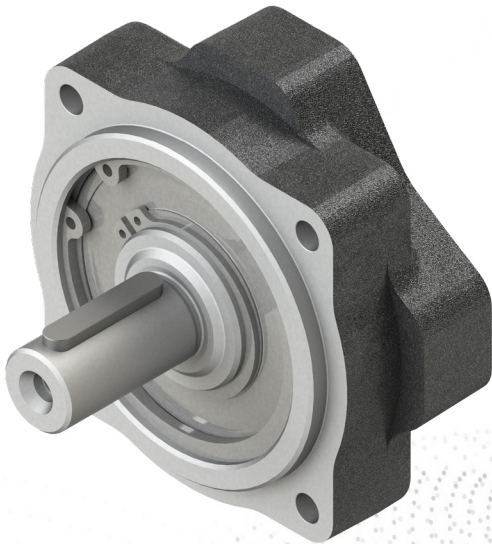
HANSA-TMP

MANUFACTURING YOUR SUCCESS

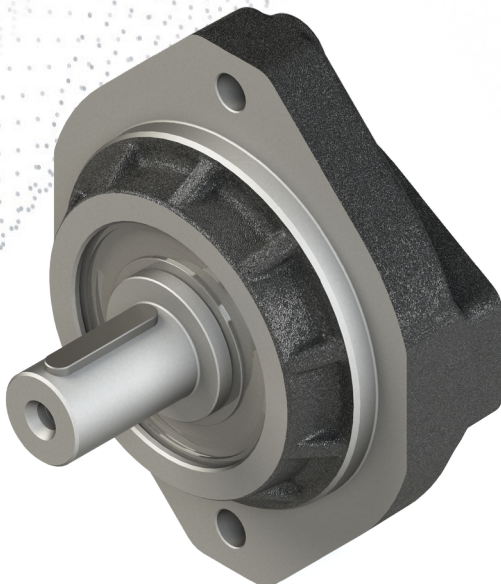
HT 16 M 6402 0321 E

BELT DRIVE SUPPORT BDS

SAE-A



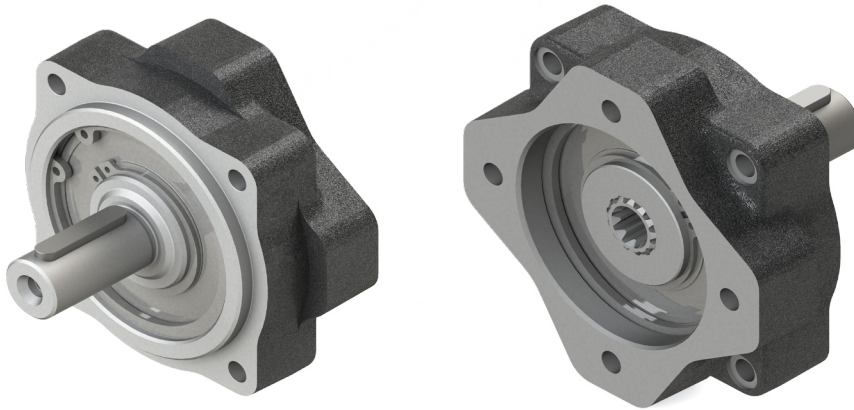
SAE-B



Belt Drive Support SAE-A BDS 24/9 & 24/13

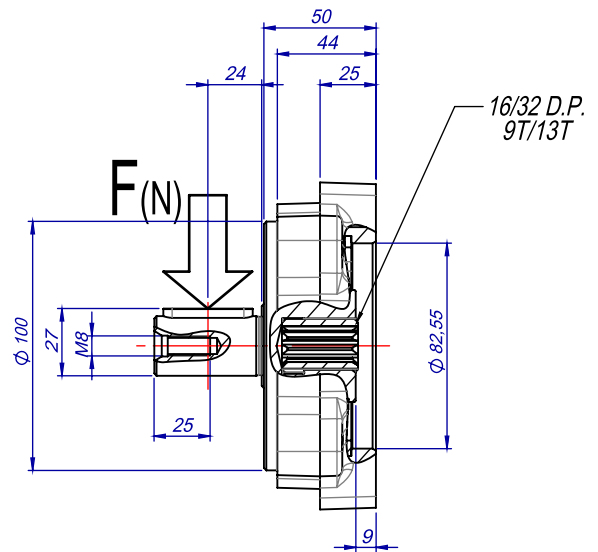
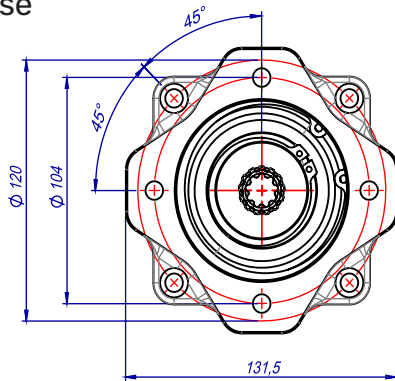
AVAILABILITY: $\varnothing 24$ E Z9 shaft
 $\varnothing 24$ E Z13 shaft.

HANSA-TMP introduces the new belt drive support BDS 24/9. The belt drive support is available for pumps and motors with SAE-A mounting flange 13T or 9T 16/32 DP splined shaft that operate with high radial loads.

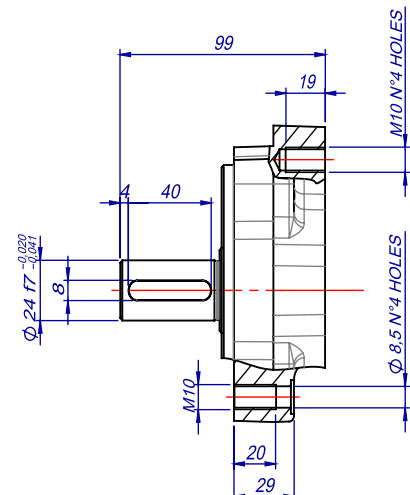
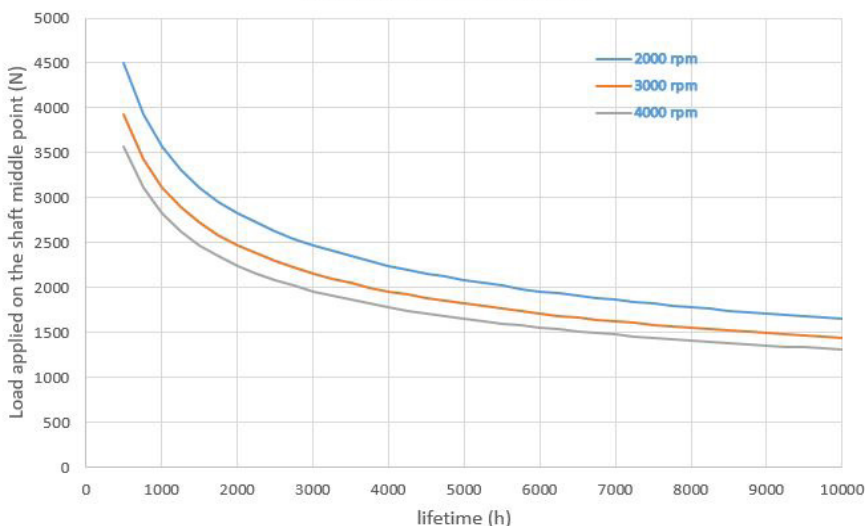


Main features:

- High radial load capacity
- Long lifetime
- Suitable for high speed engines. Up to 3600 rpm
- High capacity bearings
- No need for maintenance grease



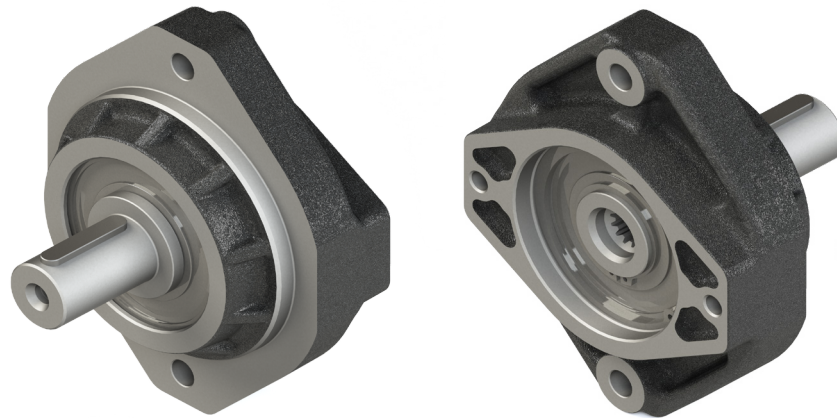
Belt support bearing lifetime



Belt Drive Support SAE-B BDS 35/13 & 35/15

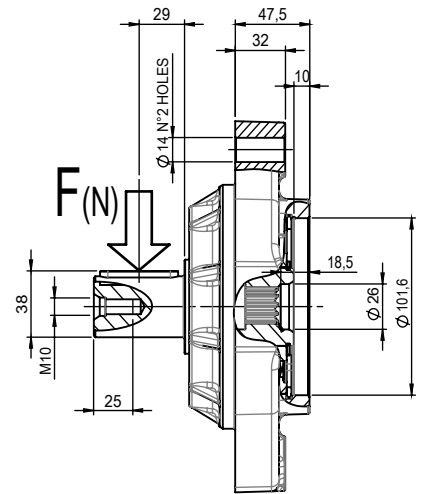
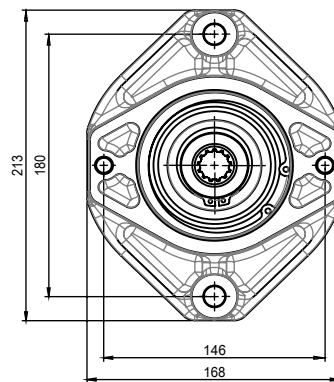
AVAILABILITY: $\varnothing 35$ E Z13 shaft
 $\varnothing 35$ E Z15 shaft

HANSA-TMP introduces the new belt drive support BDS 35/15. The belt drive support is available for pumps and motors with SAE-B mounting flange 13T or 15T 16/32 DP splined shaft that operate with high radial loads.

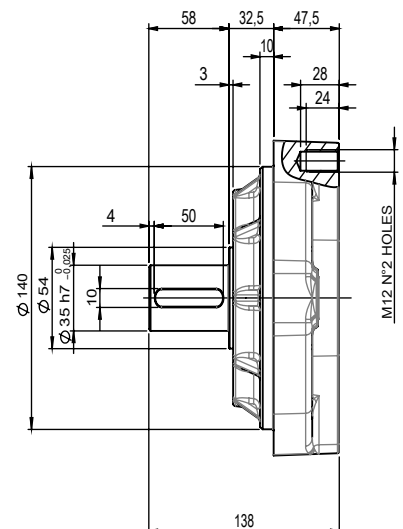
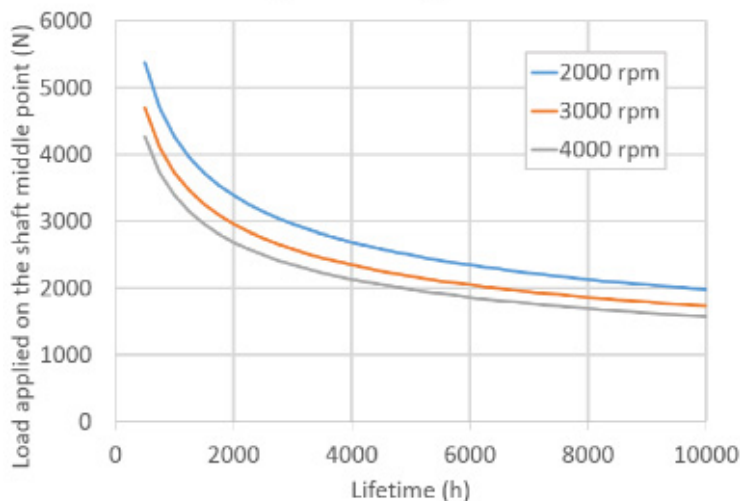


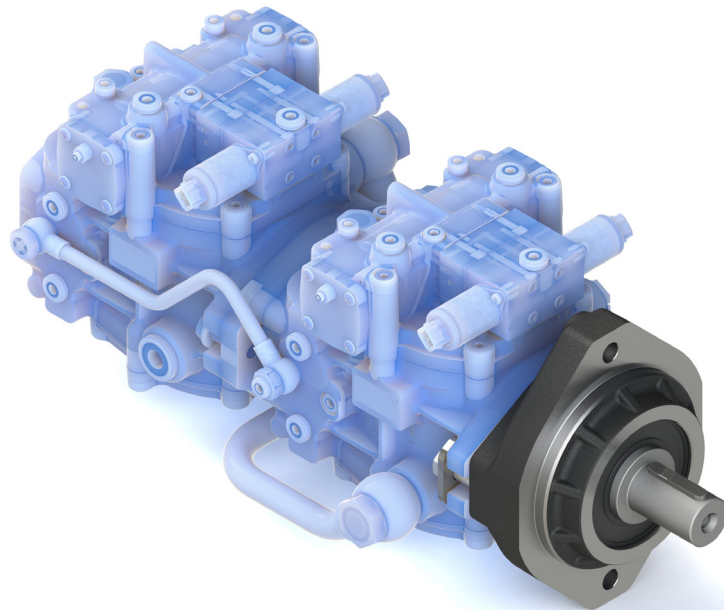
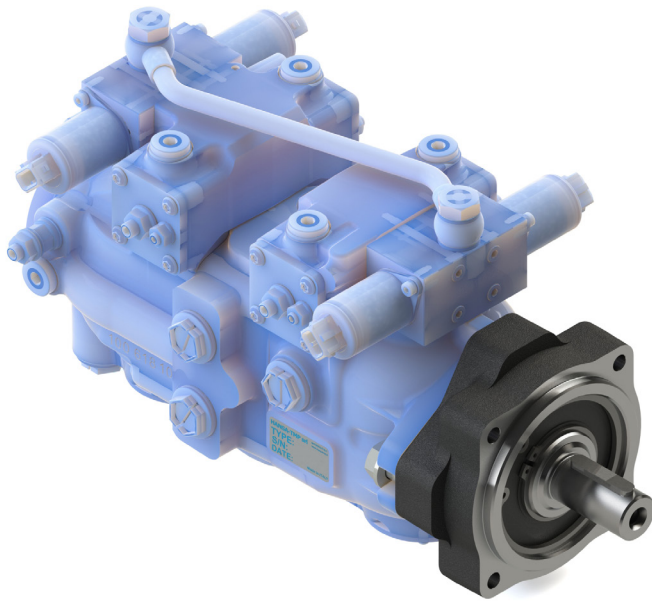
Main features:

- High radial load capacity
- Long lifetime
- Suitable for high speed engines. Up to 3600 rpm
- High capacity bearings
- No need for maintenance grease



Belt support bearing lifetime





HANSA-TMP S.r.l.

Via M. L. King, 6 – 41122 Modena (ITALY)

Tel.: +39 059 415 711

Fax: +39 059 415 730

E-mail: hansatmp@hansatmp.it

Website: www.hansatmp.it

Certified Company

ISO 9001:2015 – ISO 14001:2015



Share Capital: € 300.000,00

VAT Number: IT01167360369

REA Number: MO-225785