

# CLOSED LOOP SYSTEM VARIABLE DISPLACEMENT AXIAL PISTON PUMPS

**TPV 6000: NEW**  
cc/rev: 50-70

**TPV 9000: NEW**  
cc/rev: 90-110

**TPV 5000**  
cc/rev: 46-64

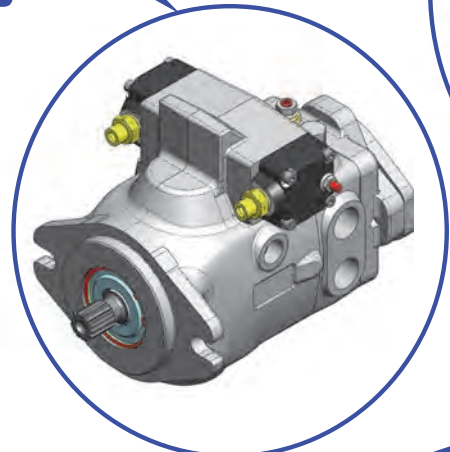
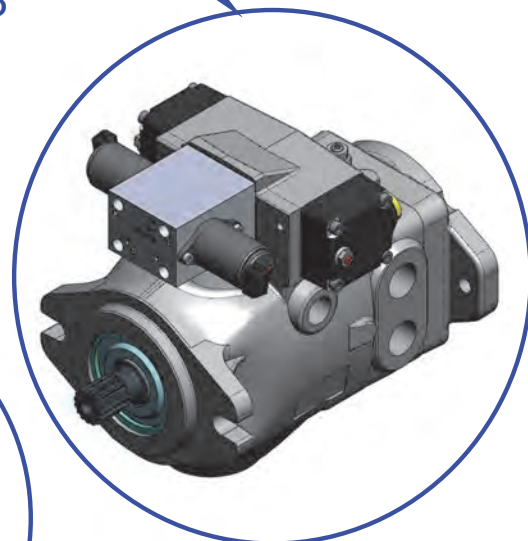
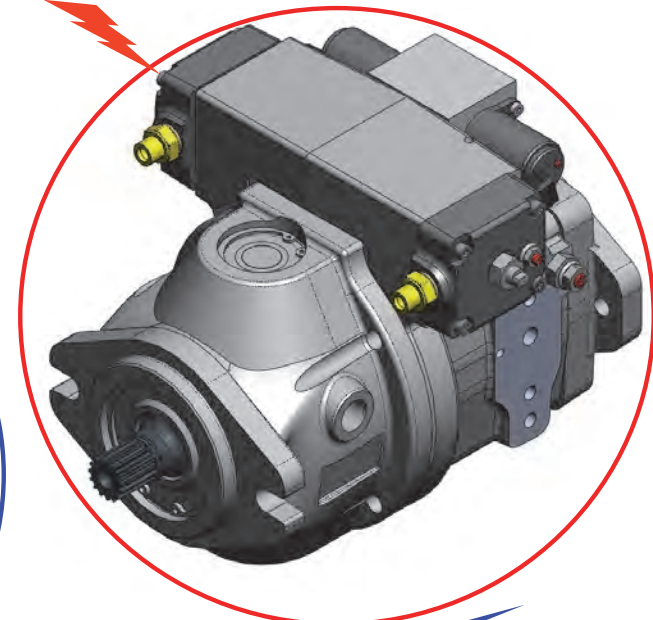
**TPV 4200**  
cc/rev: 32-50

**TPV 3200**  
cc/rev: 21-28

**TPV 3000**  
cc/rev: 20-32

**TPVT 1200 BTB**  
cc/rev: 6-13

**TPV 1000**  
cc/rev: 6-19



**HANSA-TMP INCREASES ITS PRODUCT RANGE  
ALSO MULTIPLE PUMPS AVAILABLE**



Via M.L. King, 6 - 41122 MODENA (ITALY)

Tel: +39 059 415 711

Fax: +39 059 415 729 / 059 415 730

INTERNET: <http://www.hansatmp.it>

E-MAIL: [hansatmp@hansatmp.it](mailto:hansatmp@hansatmp.it)

02-09-2011

## TPV 1000

Pump Model	Displacement cm <sup>3</sup> /n.	Rated Pressure bar	Peak Pressure bar	Maximum Speed n/min.	Weight kg (single pump)
TPV 6-7	6,95	210	300	3.900	8,8
TPV 8-7	8,88				
TPV 9-7	9,65				
TPV 11-7	11,2				
TPV 12-7	12,8				
TPV 13-7	13,58		280		
TPV 15-9	15				
TPV 17-9	17,16				
TPV 18-9	18,44	200	270	3.200	
TPV 19-9	19,20				

**Controls:** Manual displacement, Hydraulic, Electro-Hydraulic, Direct mechanical lever with return spring, By-pass valve

**Optional:** Adapter flange from SAE-A to SAE-B

## TPV 3000

Pump Model	Displacement cm <sup>3</sup> /n.	Rated Pressure bar	Peak Pressure bar	Maximum Speed n/min.	Weight kg (single pump)
TPV 20-9	20	250	350	3.900	20
TPV 28-9	28				
TPV 32-9	32				

**Controls:** Hydraulic, Electro-Hydraulic

## TPV 4200

Pump Model	Displacement cm <sup>3</sup> /n.	Rated Pressure bar	Peak Pressure bar	Maximum Speed n/min.	Weight kg (single pump)
TPV 32-9	32	250	350	3.900	23
TPV 38-9	38				
TPV 45-9	45				
TPV 50-9	50				

**Controls:** Hydraulic, Electro-Hydraulic, By-pass valve

**Optional:** Multiple pump support

## TPV 6000: NEW (Available from June 2012)

Pump Model	Displacement cm <sup>3</sup> /n.	Rated Pressure bar	Peak Pressure bar	Maximum Speed n/min.	Weight kg (single pump)
TPV 50-9	50	250	350	3.600	23
TPV 60-9	60				
TPV 70-9	70				

**Controls:** Hydraulic, Electro-Hydraulic, By-pass valve

## TPVT 1200 BTB

Pump Model	Displacement cm <sup>3</sup> /n.	Rated Pressure bar	Peak Pressure bar	Maximum Speed n/min.	Weight kg
TPVT 6-7	7,4	210	300	3.600	19
TPVT 8-7	8,9				
TPVT 9-7	9,6				
TPVT 11-7	11,2				
TPVT 12-7	12,8				
TPVT 13-7	13,6				

**Controls :** direct mechanical, standard lever, lever with return spring

**Optional:** Adapter flange from SAE-A to SAE-B

## TPV 3200

Pump Model	Displacement cm <sup>3</sup> /n.	Rated Pressure bar	Peak Pressure bar	Maximum Speed n/min.	Weight kg (single pump)
TPV 21-9	21	250	350	3.600	22
TPV 28-9	28				

**Controls:** Manual lever with feed back, manual with zeroing, Hydraulic, Electro Hydraulic, Hydraulic Automotive, By-pass valve

**Optional:** Filter with electric clogging sensor, Power limiter, Purge valve

## TPV 5000

Pump Model	Displacement cm <sup>3</sup> /n.	Rated Pressure bar	Peak Pressure bar	Maximum Speed n/min.	Weight kg (single pump)
TPV 46-9	46	250	400	3.600	29
TPV 50-7	50				
TPV 64-9	64				

**Controls:** Manual lever with feed back, Hydraulic, Electro-Hydraulic, Hydraulic Automotive

**Optional:** Filter with electric clogging sensor, Power limiter, Purge valve

## TPV 9000: NEW

Pump Model	Displacement cm <sup>3</sup> /n.	Rated Pressure bar	Peak Pressure bar	Maximum Speed n/min.	Weight kg (single pump)
TPV 90-9	90	300	350	3.600	68
TPV 110-9	110				

**Controls:** Electro-hydraulic, Manual lever with feed-back