

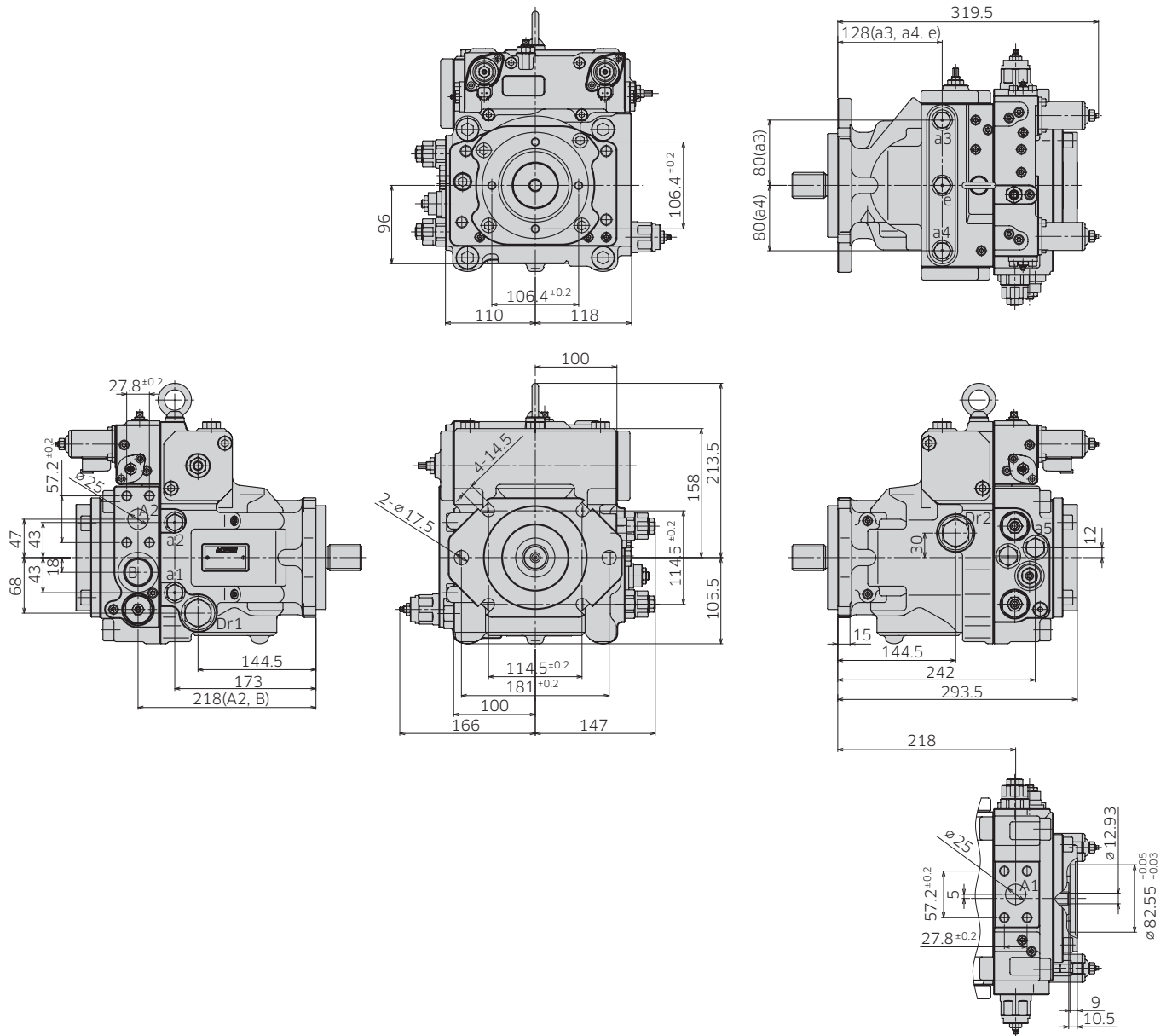
3 Dimensions

3-1 Installation Dimensions

* Dimensions in mm.

◆ K8V71

Model Code : K8V 71 A R C1 A1 * A * X X X X - P1 * * * - * *



(Note) See port details for thread size on port A1 and A2.

3. Dimensions

3-1 Installation Dimensions

*Dimensions in mm.

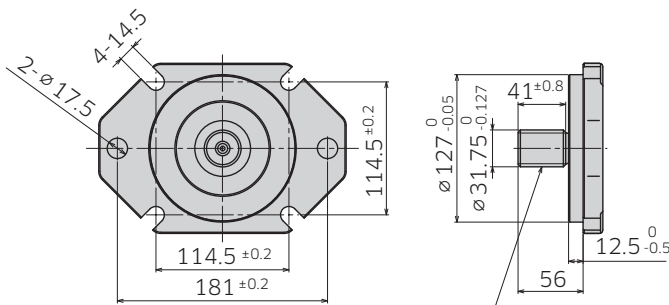
◆ K8V71 Mounting Flange and Shaft Options

SAE C Spline Shaft

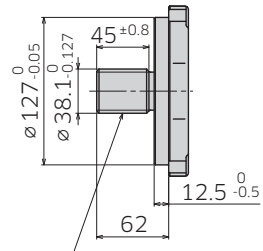
Ordering Code '5.Mounting Flange and Shaft' : C1

SAE CC Spline Shaft

Ordering Code '5.Mounting Flange and Shaft' : C2



SAE "C" 30° Involute spline shaft
SAE J744-32-4
14T 12/24 DP



SAE "CC" 30° Involute spline shaft
SAE J744-38-4
17T 12/24 DP

◆ K8V71 Port Details

Main flanged ports

Des	Port name	Port size	Flange thread	Tightening torque (Nm)
-----	-----------	-----------	---------------	------------------------

UNF thread version

A ₁ , A ₂	Pressure port	SAE J518C high pressure (Code 62) 1"	7/16-14UNC-2B-17-21.5	98
---------------------------------	---------------	--------------------------------------	-----------------------	----

Metric thread version

A ₁ , A ₂	Pressure port	SAE J518C high pressure (Code 62) 1"	M12-17	98
---------------------------------	---------------	--------------------------------------	--------	----

Auxiliary port

Des	Port name	Port size	Tightening torque (Nm)
Dr ₁ , Dr ₂	Drain port	1-1/16-12UN-2B-19 (ISO 11926-1 : 1995)	170
a ₁ , a ₂ , a ₃ , a ₄	Gauge port	9/16-18UNF-2B-12.7 (ISO 11926-1 : 1995)	59
B	Inlet port	1-5/16-12UN-2B-19 (ISO 11926-1 : 1995)	300
a ₅	Gauge port	3/4-16UNF-2B-15 (ISO 11926-1 : 1995)	98
e	Air vent port	9/16-18UNF-2B-12.7 (ISO 11926-1 : 1995)	59
F ₁	External filter port (out)	3/4-16UNF-2B-15 (ISO 11926-1 : 1995)	98
F ₂	External filter port (in)	3/4-16UNF-2B-15 (ISO 11926-1 : 1995)	98
C	External charge pressure supply port	3/4-16UNF-2B-15 (ISO 11926-1 : 1995)	98
Pi ₁ , Pi ₂	Pilot port	9/16-18UNF-2B-12.7 (ISO 11926-1 : 1995)	59

3. Dimensions

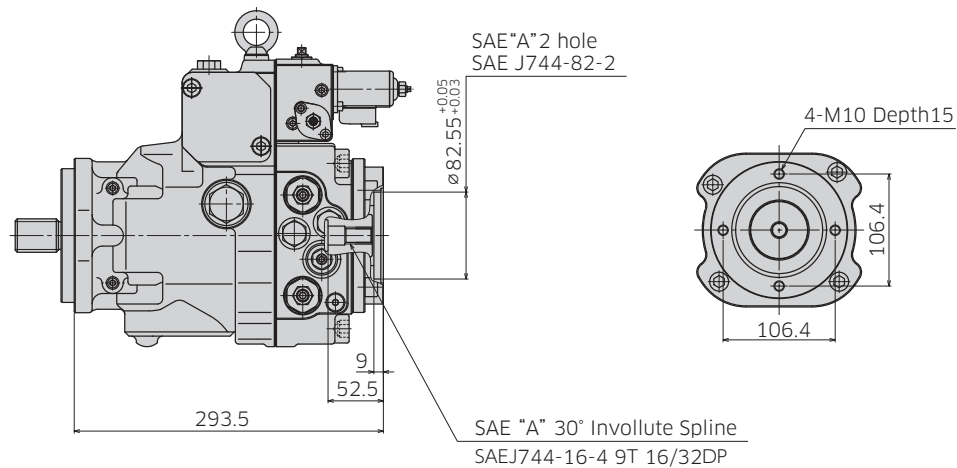
3-1 Installation Dimensions

* Dimensions in mm.

◆ K8V71 Through Drive Options

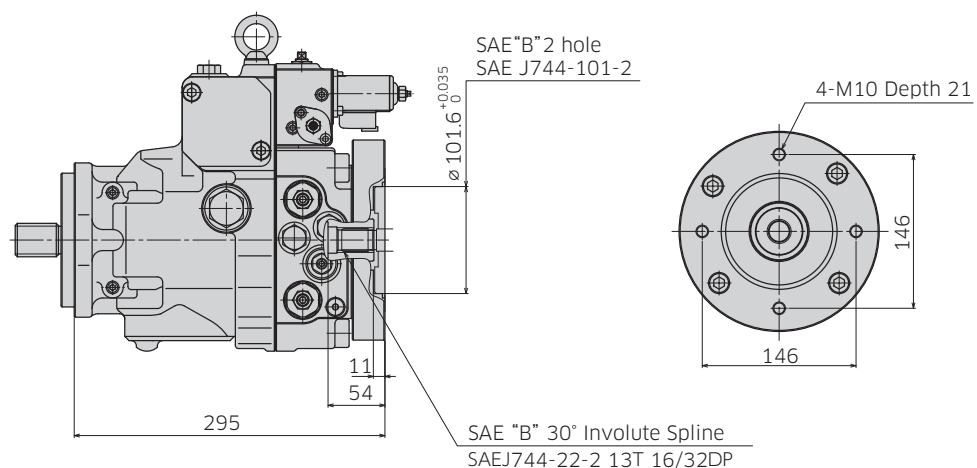
Through Drive SAE A

Ordering Code '6.Through Drive' : A1



Through Drive SAE B

Ordering Code '6.Through Drive' : B1



Involute spline according to ANSI B92.1a, 30° pressure angle, flat root, side fit

3. Dimensions

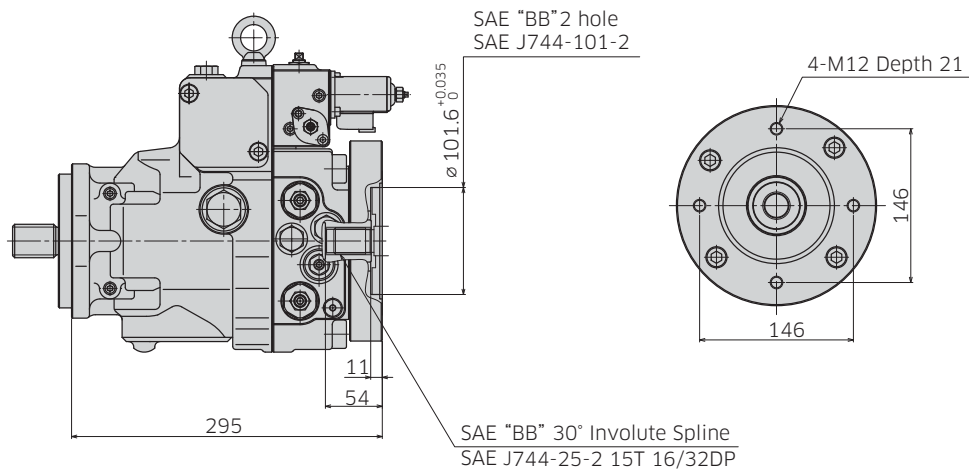
3-1 Installation Dimensions

*Dimensions in mm.

◆ K8V71 Through Drive Options

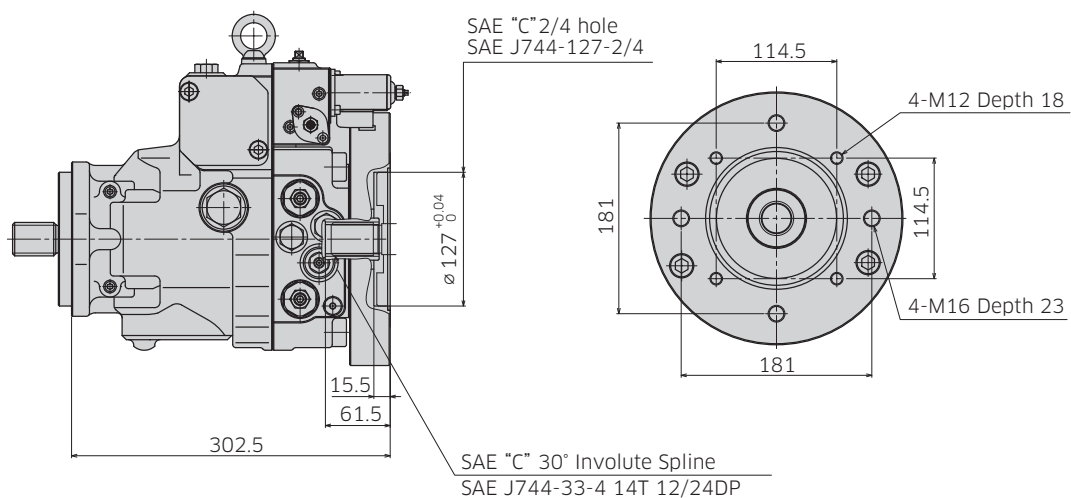
Through Drive SAE BB

Ordering Code '6.Through Drive' : B2



Through Drive SAE C

Ordering Code '6.Through Drive' : C1



Involute spline according to ANSI B92.1a, 30° pressure angle, flat root, side fit