

## 2. Technical Information

### 2-1 Specifications

#### ◆ Charge Pump

Charge flow is required on all K8V pumps applied in closed circuit systems. The charge pump supplies flow to replenish, cool and filter oil, provide charge pressure and servo pressure, and flow for system control and auxiliary functions.

The integrated charge pump is available. The available charge pump sizes are as follows;

K8V71/90: 20 cm<sup>3</sup>/rev

K8V125: 28 cm<sup>3</sup>/rev

Pressure and flow for charge circuit can be supplied by an external auxiliary pump.

An auxiliary pump for charge circuit can also be mounted on the back of main pump using through drive mounting.

In case the auxiliary pump is used for charge circuit, connect the charge pump delivery line to port C so that the flow is provided to the low pressure line and servo line. The integrated low pressure relief valve can be used in this case. If the integrated low pressure relief valve is not used, provide an appropriate relief valve in the system.

## 2. Technical Information

### 2-1 Specifications

#### Filtration of Charge Pump

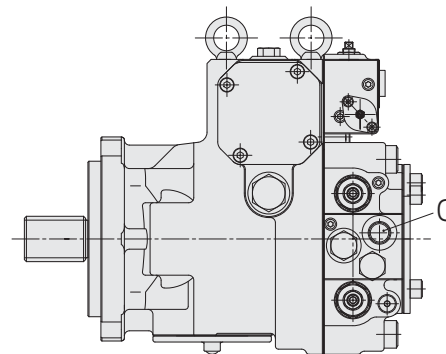
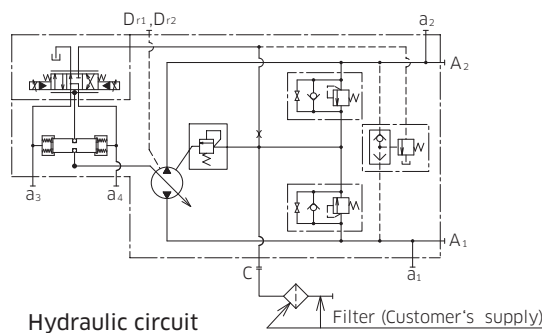
Filtration of the hydraulic fluid reduces premature wear, and enhances the reliability and productivity of the products. To ensure the cleanliness of the working fluid is essential to optimize function of the machine, and extend the service life.

#### Filtration system

##### 1) External filtration system / External supply (Ordering code [11] : X)

This option is for a pump without an integrated charge pump. External charge pump supply comes from port C.

Filter arrangement should be made separately.



##### 2) Remote filtration system (Ordering code [11] : B)

This is for a pump equipped with an integrated charge pump and ports for external charge circuit filter. The filter will be located in the discharge (pressure) line of the charge pump, as shown in the hydraulic circuit below.

Filters with bypass are not recommended.

Filter arrangement should be made separately, as the filter is not included in the delivery contents.

Charge pressure outlet: Port F<sub>1</sub>

Charge pressure inlet: Port F<sub>2</sub>

