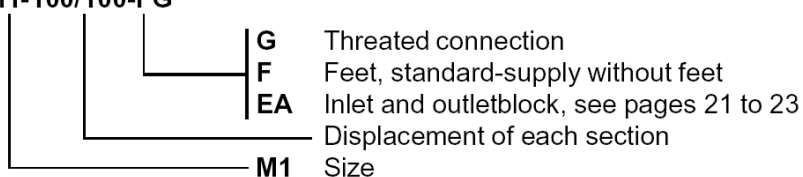


Radial piston flow divider MT

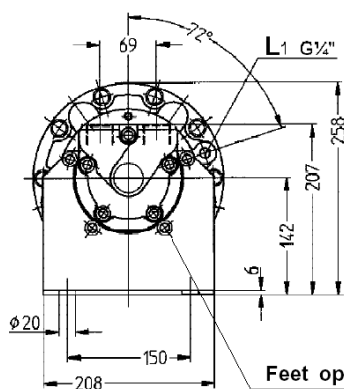
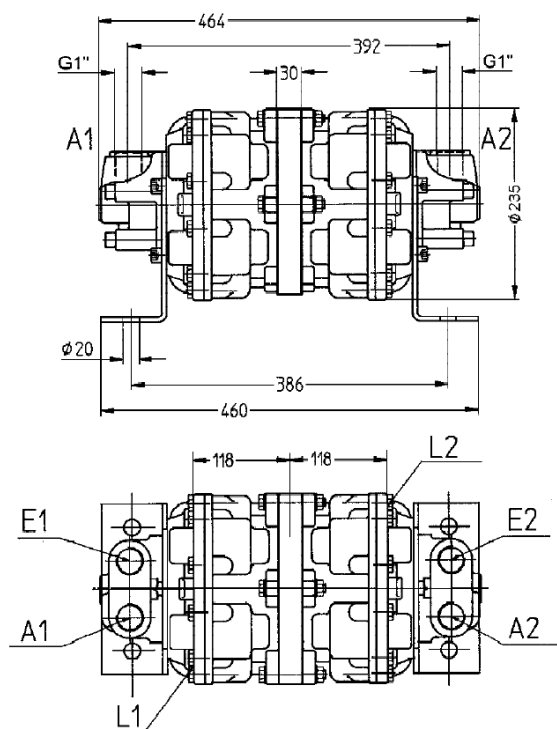
Type	Displacement per section (cm ³ /rev)		Flow per section (l/min)		Pressure (bar)		Max. power per section (kW)
	continuous	intermittend	continuous	intermittend	continuous	intermittend	
MT-M1	100/100	115	35	50	240	300	24
MT-M1	175/175	172	70	100	240	300	30
MT-M2	350/350	346	120	175	240	300	45
MT-M3	600/600	595	175	250	240	300	60
MT-M5	1350/1350	1340	250	350	240	300	90
MT-L7	3000/3000	2985	350	500	240	300	120

Complete drawings of the assembled units of different sizes to be used as pressure-multipliers or flow-dividers are available upon request.

Order Codes Example: MT-M1-100/100-FG



MT-M1... / ...-FG



Feet optional
fixed with the threads M10, 20 depth
ø150 mm, 5 x 72°

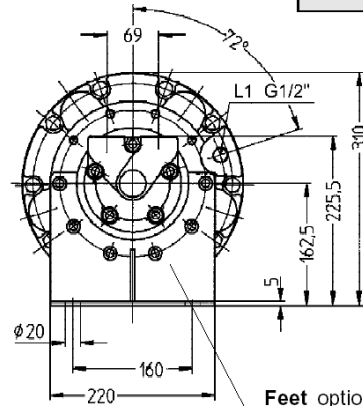
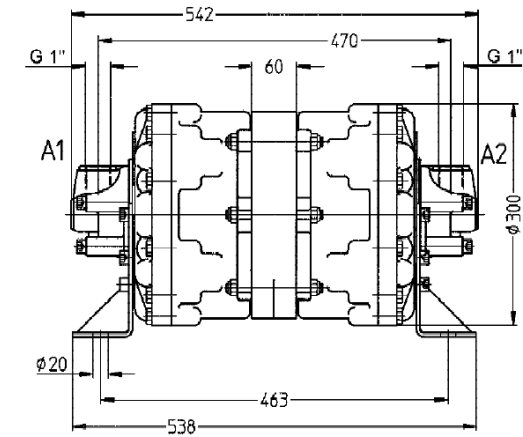
Connections

- E1 - E2 **G1"** Input, to be connected together
 - A1 - A2 **G1"** Output, section-flows
 - L1 - L2 **G1/4"** Drain-ports, drain pressure max. 2 bar
- Important:** both ports have to be connected to the tank!

Weight: 58 kg

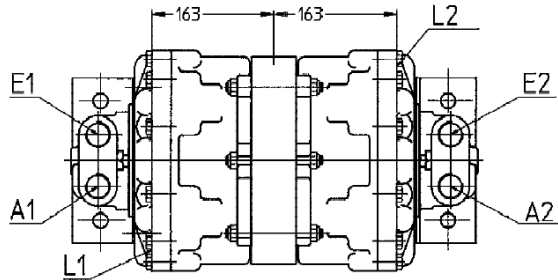
Radial piston flow divider MT

MT-M2... / ...-FG



Feet optional

fixed with the threads M12, 28 depth
 ø195 mm 10 x 36°

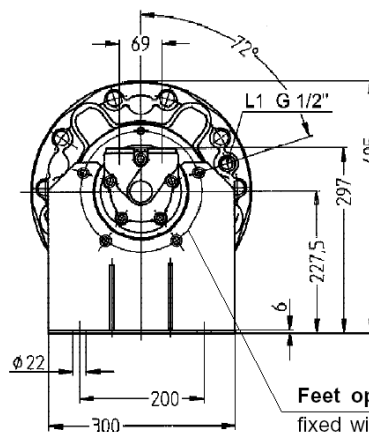
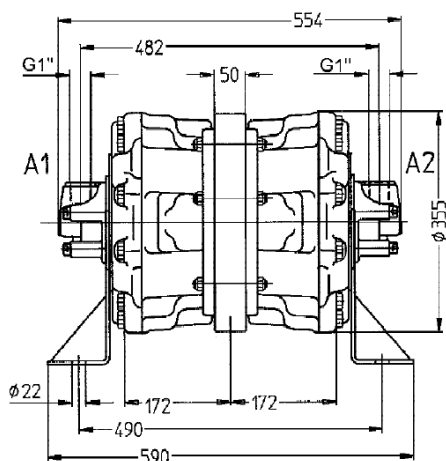


Connections

- E1 - E2 **G1"** Input, to be connected together
 - A1 - A2 **G1"** Output, section-flows
 - L1 - L2 **G1/2"** Drain-ports, drain pressure max. 2 bar
- Important:** both ports have to be connected to the tank!

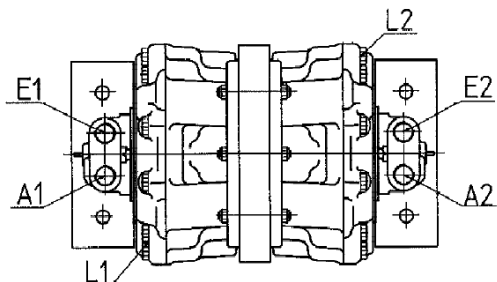
Weight: 107 kg

MT-M3... / ...-FG



Feet optional

fixed with the threads M12, 28 depth
 ø195 mm, 5 x 72°



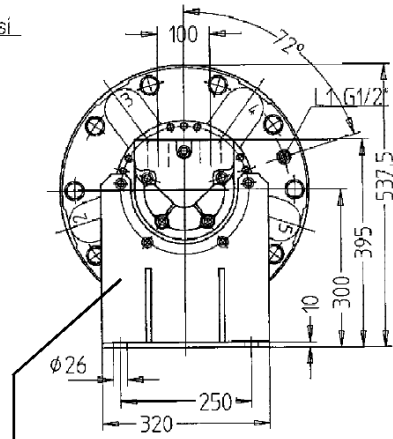
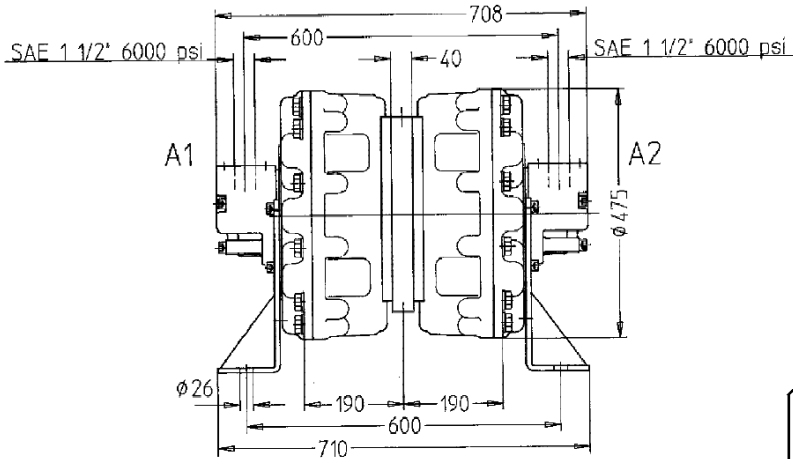
Connections

- E1 - E2 **G1"** Input, to be connected together
 - A1 - A2 **G1"** Output, section-flows
 - L1 - L2 **G1/2"** Drain-ports, drain pressure max. 2 bar
- Important:** both ports have to be connected to the tank!

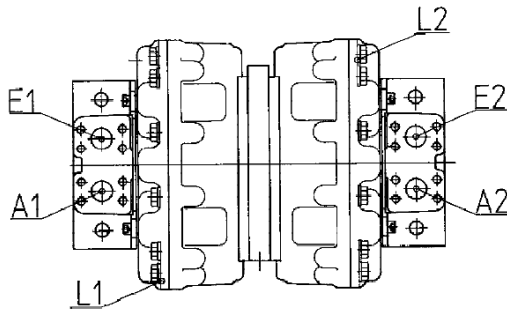
Weight: 145 kg

Radial piston flow divider MT

MT-M5... / ...-F



Feed optional

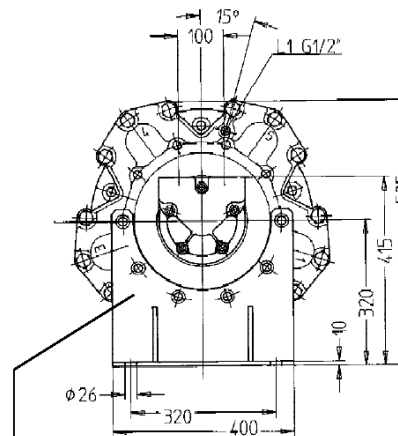
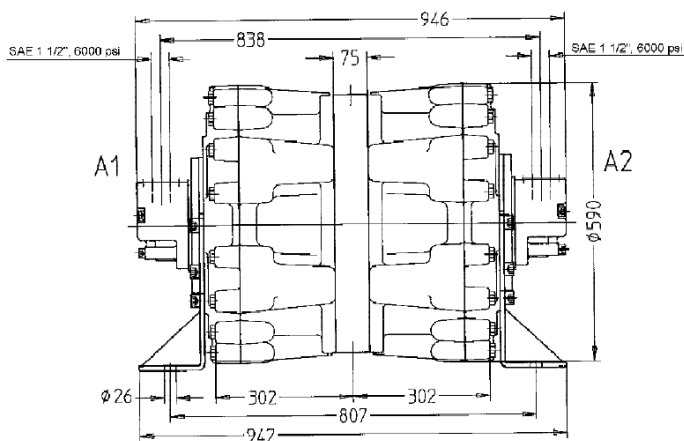


Connections

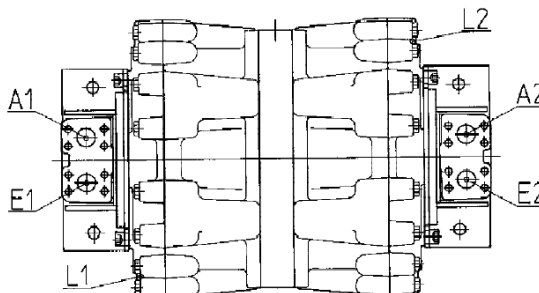
- E1 - E2 **SAE 1 1/2"** Input, to be connected together
 - A1 - A2 **SAE 1 1/2"** Output, section-flows
 - L1 - L2 **G1/2"** Drain-ports, drain pressure max. 2 bar
- Important:** both ports have to be connected to the tank!

Weight: 295 kg

MT-L7... / ...-F



Feed optional



Connections

- E1 - E2 **SAE 1 1/2"** Input, to be connected together
 - A1 - A2 **SAE 1 1/2"** Output, section-flows
 - L1 - L2 **G1/2"** Drain-ports, drain pressure max. 2 bar
- Important:** both ports have to be connected to the tank!

Weight: 685 kg