

AM 450 PUMP DRIVE

Max. Input Power 640 kW

QUALITY IS STANDARD

- Cast iron housing
- Case-hardened and ground spur gears
- Ball bearings
- Case-hardened shafts
- Viton seals on input shaft
- Output rotation opposite the direction of input rotation
- Gear ratios identical on all output
- Modular design



AM 450 - TECHNICAL DATA

Ratio:1	Max. input torque Nm (lbf-ft)	Max. output torque per pump pad Nm (lbf-ft)	Max. input speed n /min.	Max. output speed n /min.	Oil quantity lt (gal)
0,50	4200 (3095)	1050 (774)	1800	3600	2,8 (0,74)
0,67	3780 (2786)	1250 (921)	2000	2985	2,5 (0,66)
0,77	3065 (2259)	1180 (870)	2100	1617	2,5 (0,66)
0,89	2580 (1900)	1150 (848)	2250	2000	2,3 (0,61)
1,00	2600 (1916)	1300 (958)	2400	2400	2,3 (0,61)

AM 450 - MOMENT OF INERTIA DATA

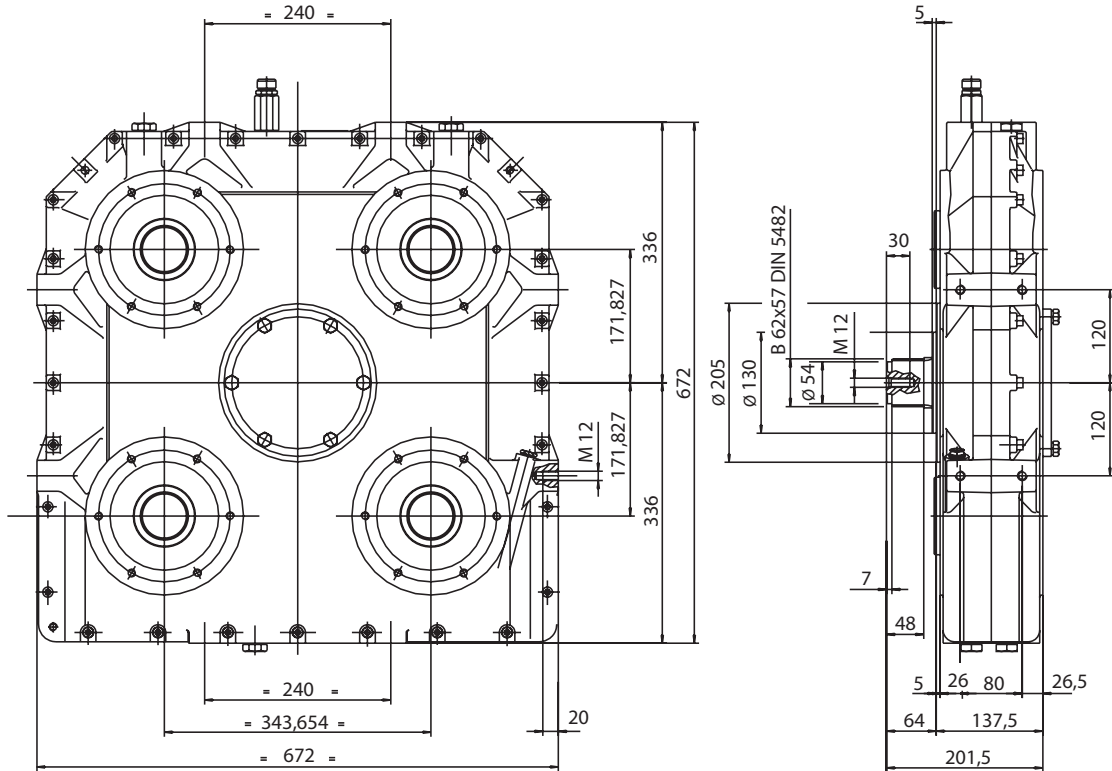
RATIO:1	B kg.m ² (lb-ff ²)	BD 290 kg.m ² (lb-ff ²)	BD 2200 kg.m ² (lb-ff ²)	BD 3300 kg.m ² (lb-ff ²)	BDS 290 kg.m ² (lb-ff ²)	BDS 2200 kg.m ² (lb-ff ²)
0,67	0,6413 (15,22)	1,1088 (26,32)	2,4663 (58,53)	3,1913 (75,73)	1,3163 (31,24)	3,6413 (86,41)
0,77	0,5777 (13,71)	1,0452 (24,80)	2,4027 (57,02)	3,1277 (74,22)	1,2527 (29,73)	3,5777 (84,90)
0,89	0,4527 (10,74)	0,9202 (21,84)	2,2777 (54,05)	3,0027 (71,26)	1,1277 (26,76)	3,4527 (81,93)
1,00	0,4445 (10,55)	0,8945 (21,23)	2,2695 (53,86)	2,9945 (71,06)	1,1195 (26,57)	3,4445 (81,74)

AM 450 BD - BDS - CLUTCH CHARACTERISTICS

Clutch type	SAE size	Max input torque Nm	Max Speed n / min.	Power Kw
BD 290	1-2-3	880	2900	150
BD 2200	1	1960	2400	230
BD 3300	1	2940	2400	320
BDS 290	-	880	2900	150
BDS 2200	-	1960	2400	230
BDS 3300	-	2940	2400	320

AM 450 B

Basic Model - Installation Drawing



AM 450 BD 290

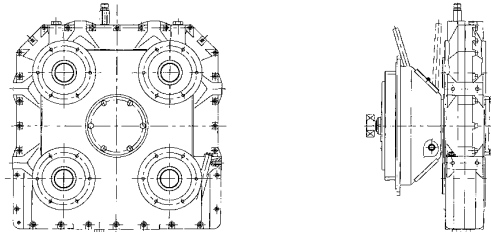
With two plate 11" clutch

AM 450 BD 2200

With two plate 14" clutch

AM 450 BD 3300

With three plate 14" clutch



AM 450 BDS 290

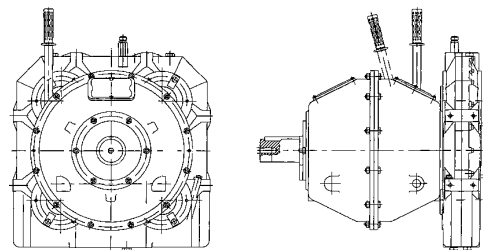
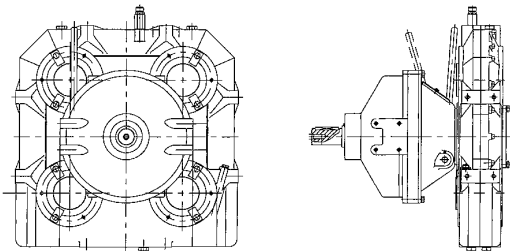
Independent mount with two plate 11" clutch

AM 450 BDS 2200

Independent mount with two plate 14" clutch

AM 450 BDS 3300

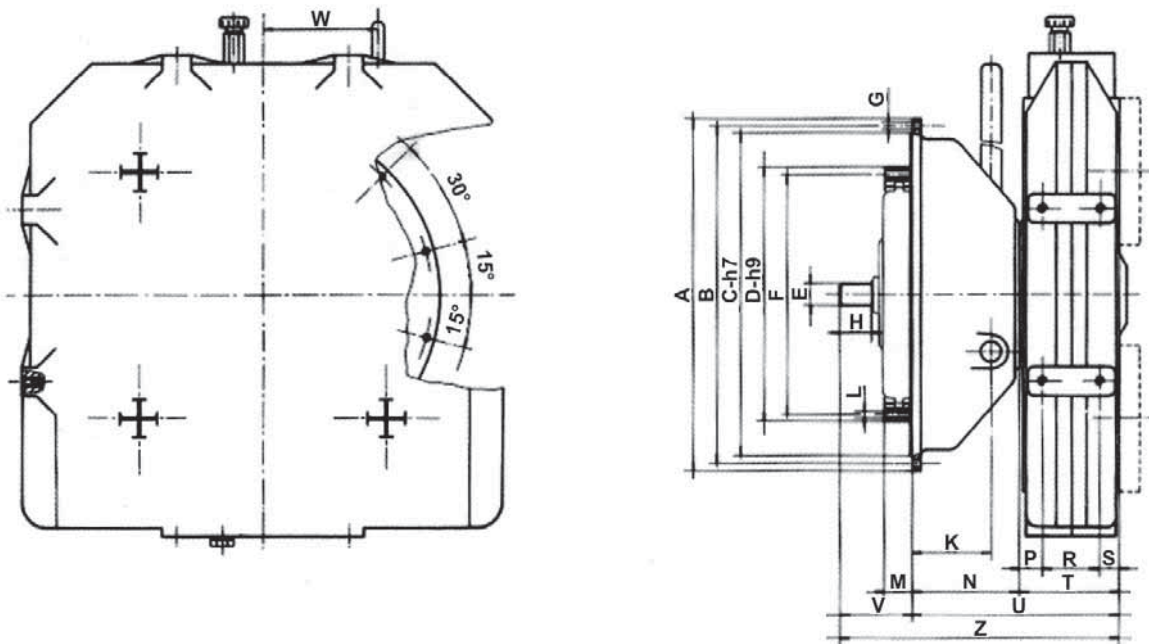
Independent mount with three plate 14" clutch



MODEL	WEIGHT kg (lbs)
AM 450 B	205
AM 450 BD 290	271
AM 450 BD 2200	338
AM 450 BD 3300	381
AM 450 BDS 290	298
AM 450 BDS 2200	448
AM 450 BDS 3300	472

AM 450 BD

Installation Drawing

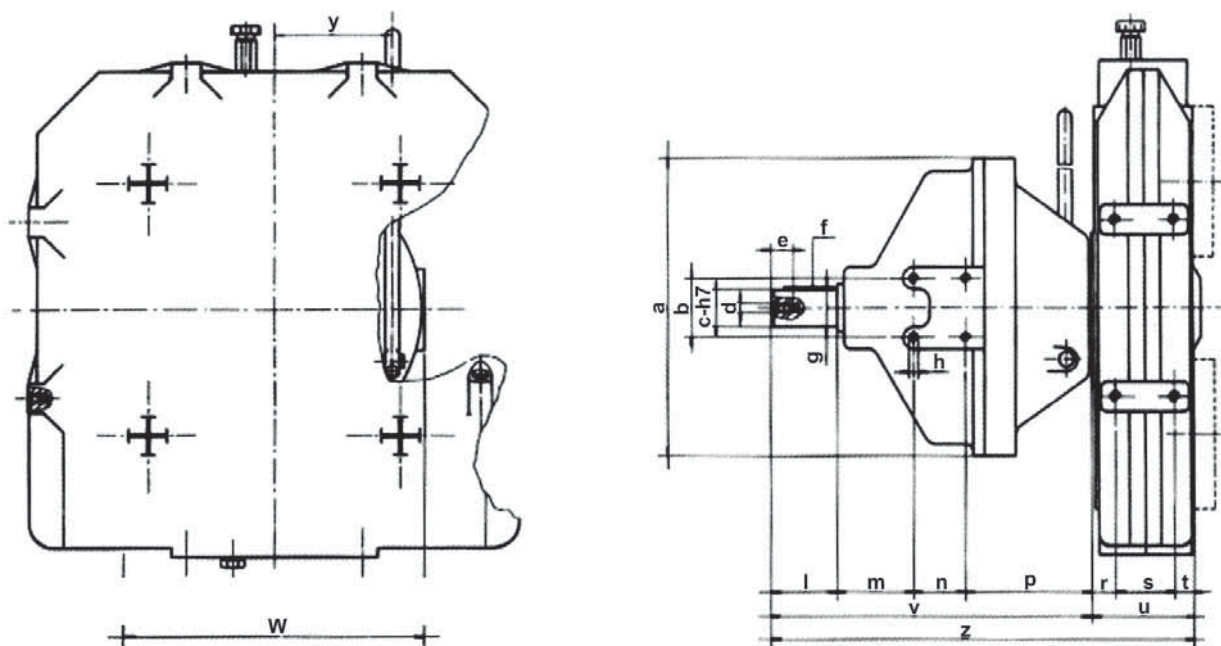


Clutch type	D	E	F	H	L	M	N	P	R	S	T	U	V	Z	K	W
BD 290	352,42	333,37	30	37	n. 8 holes Ø 10.5	39,7	147	31	80	26	137	284	100	384	78	160
BD 2200	466,72	438,15	35	37	n. 8 holes Ø 10.5	25,4	236	26	80	26	132	368	100	468	179	215
BD 3300	466,72	438,15	35	37	n. 8 holes Ø 10.5	25,4	264	26	80	26	132	396	100	496	207	215

SAE	DIMENSIONS			
	A	B	C	G
1	552	530,22	511,17	n. 12 holes Ø 12
2	489	466,72	447,67	n. 12 holes Ø 11
3	451	428,62	409,57	n. 12 holes Ø 11

AM 450 BDS

Installation Drawing



Clutch type	a	b	c	d	e	f	g	h	i	m	n	p	r	s	t	u	v	l	w	y
BDS 290	403	80	50	M 14	30	14x9x70	54	M 10	90	104	70	172	31	80	26	137	436	573	404	160
BDS 2200	552	-	80	M 20	45	24x14x120	87	-	135	-	-	-	26	80	26	132	634	766	-	215
BDS 3300	552	-	80	M 20	45	24x14x120	87	-	135	-	-	-	26	80	26	132	662	794	-	-