

## AM 330 PUMP DRIVE

Max. Input Power 355 kW

### QUALITY IS STANDARD

- Cast iron housing
- Shaved gears
- Ball bearings
- Case-hardened shafts
- Viton seals on input shaft
- Output rotation opposite the direction of input rotation
- Gear ratios identical on all output
- Modular design



### AM 330 - TECHNICAL DATA

Ratio .....:1	Max. input torque Nm (lbf-ft)	Max. output torque per pump pad Nm (lbf-ft)	Max. input speed n /min.	Max. output speed n /min.	Oil quantity lt (gal)
0,49	1470 (1084)	360 (265)	2400	4898	2,5
0,58	1410 (1039)	410 (302)	2500	4310	2,0
0,67	1350 (995)	450 (332)	2650	3955	1,8
0,77	1270 (936)	490 (361)	2850	3701	1,8
0,83	1200 (884)	500 (368)	3000	3614	1,8
1,00	1080 (796)	540 (398)	3200	3200	1,4
1,30	980 (722)	640 (472)	3600	2769	1,4
1,50	900 (663)	675 (498)	3950	2633	1,2

### AM 330 - MOMENT OF INERTIA DATA

RATIO .....:1	B kg.m <sup>2</sup> (lb-ff <sup>2</sup> )	BD 130 kg.m <sup>2</sup> (lb-ff <sup>2</sup> )	BD 145 kg.m <sup>2</sup> (lb-ff <sup>2</sup> )	BD 290 kg.m <sup>2</sup> (lb-ff <sup>2</sup> )	BDS 130 kg.m <sup>2</sup> (lb-ff <sup>2</sup> )	BDS 145 kg.m <sup>2</sup> (lb-ff <sup>2</sup> )	BDS 290 kg.m <sup>2</sup> (lb-ff <sup>2</sup> )
0,49							
0,58							
0,67	0,1231 (2,92)	0,2606 (6,18)	0,3856 (9,15)	0,5731 (13,60)	0,3731 (8,85)	0,5606 (13,30)	0,7981 (18,94)
0,77	0,1114 (2,64)	0,2489 (5,91)	0,3739 (8,87)	0,5614 (13,32)	0,3614 (8,58)	0,5489 (13,03)	0,7864 (18,66)
1,00	0,0744 (1,77)	0,2119 (5,03)	0,3369 (7,99)	0,5244 (12,44)	0,3244 (7,70)	0,5119 (12,15)	0,7494 (17,78)
1,30	0,0668 (1,59)	0,2043 (4,85)	0,3293 (7,81)	0,5168 (12,26)	0,3168 (7,52)	0,5043 (11,97)	0,7418 (17,60)
1,50	0,0646 (1,53)	0,2022 (4,80)	0,3272 (7,76)	0,5146 (12,21)	0,3146 (7,47)	0,5021 (11,92)	0,7396 (17,55)

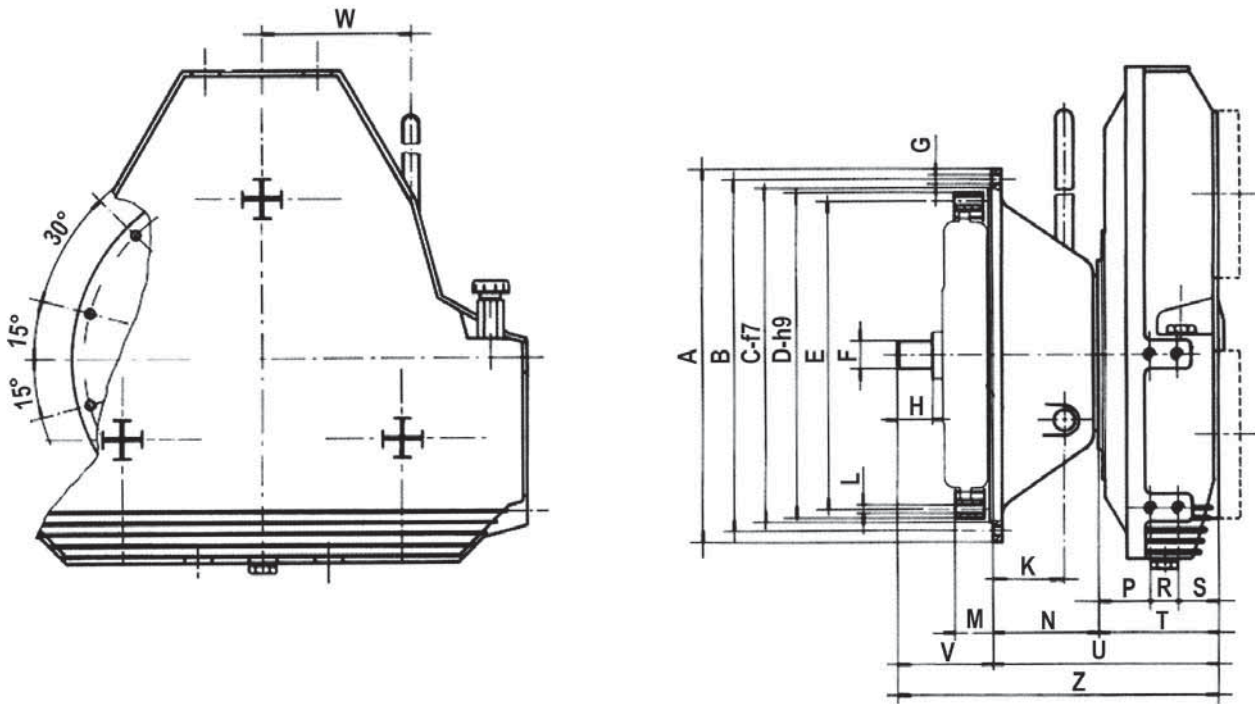
### AM 330 BD - BDS - CLUTCH CHARACTERISTICS

Clutch type	SAE size	Max input torque Nm	Max Speed n / min.	Power Kw
BD 130	3-4	330	3100	70
BD 145	3-4	450	3100	80
BD 290	1-2-3	880	2900	150
BDS 130	-	330	3100	70
BDS 145	-	450	3100	80
BDS 290	-	880	2900	150



## AM 330 BD

### Installation Drawing

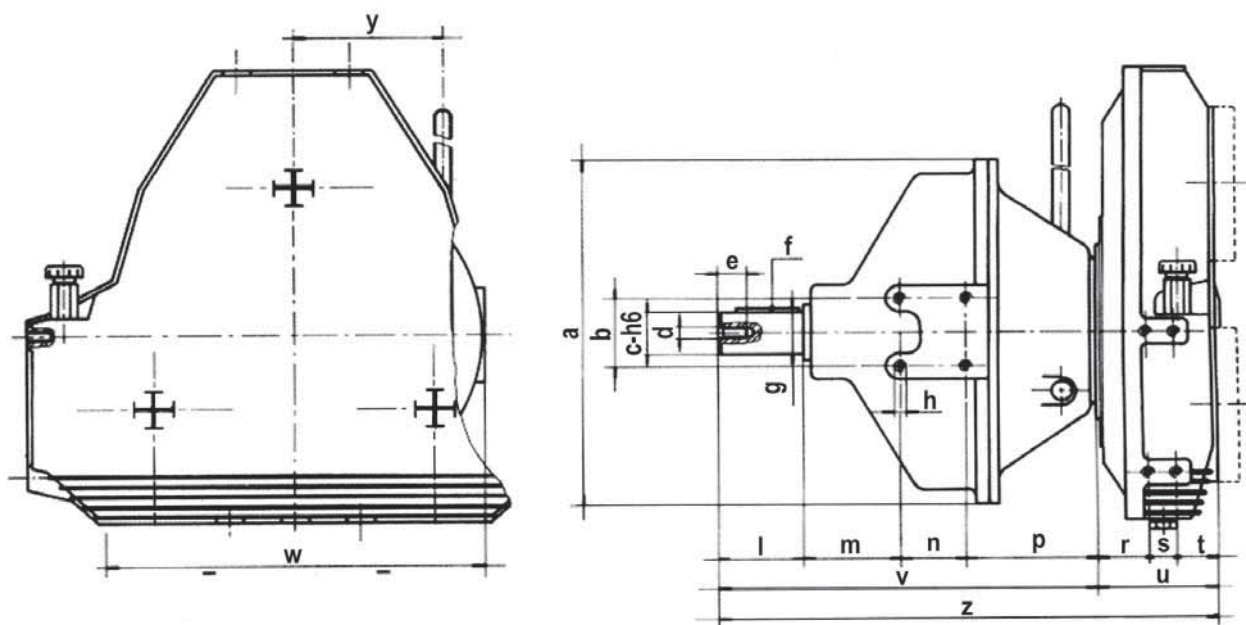


Clutch type	D	E	F	H	L	M	N	P	R	S	T	U	V	Z	K	W
<b>BD 130</b>	314,32	295,27	30	37	n. 8 holes Ø 10.5	54	114	55.5	30	43,5	129	243	100	343	78	160
<b>BD 145</b>	352,42	333,37	30	37	n. 8 holes Ø 10.5	39,7	114	55.5	30	43,5	129	243	100	343	78	160
<b>BD 290</b>	352.42	333.37	30	37	n. 8 holes Ø 10.5	39.7	147	55.5	30	43.5	129	276	100	376	111	205

SAE	DIMENSIONS			
	A	B	C	G
<b>1</b>	552,00	530,22	511,17	n. 12 holes Ø 11
<b>2</b>	489,00	466,72	447,67	n. 12 holes Ø 11
<b>3</b>	451,00	428.62	409,57	n. 12 holes Ø 11
<b>4</b>	403.22	381,00	361,95	n. 12 holes Ø 11

## AM 330 BDS

### Installation Drawing



Clutch type	a	b	c	d	e	f	g	h	i	m	n	p	r	s	t	u	v	l	w	y
<b>BDS 130</b>	403	80	50	M 14	30	14x9x70	54	M10	90	104	70	139	55,5	30	43,5	129	403	532	404	160
<b>BDS 145</b>	403	80	50	M 14	30	14x9x70	54	M10	90	104	70	139	55,5	30	43,5	129	403	532	404	160
<b>BDS 290</b>	403	80	50	M 14	30	14x9x70	54	M10	90	104	70	172	55,5	30	43,5	129	436	565	404	160