

AM 230 PUMP DRIVE

Max. Input Power 430 kW

QUALITY IS STANDARD

- Cast iron housing
- Case-hardened and ground spur gears
- Ball bearings
- Case-hardened shafts
- Viton seals on input shaft
- Output rotation opposite the direction of input rotation
- Gear ratios identical on all output
- Modular design



AM 230 - TECHNICAL DATA

| Ratio:1 | Max. input torque Nm (lbf-ft) | Max. output torque per pump pad Nm (lbf-ft) | Max. input speed n /min. | Max. output speed n /min. | Oil quantity lt (gal) |
|------------------|----------------------------------|---------------------------------------------------|-----------------------------|------------------------------|--------------------------|
| 0.51 | 2080 (1532) | 530 (390) | 1950 | 3900 | 5.5 (1.45) |
| 0.58 | 2010 (1481) | 580 (427) | 2050 | 3534 | 5.0 (1.32) |
| 0.67 | 1910 (1408) | 640 (472) | 2200 | 3284 | 4.5 (1.19) |
| 0.76 | 1840 (1356) | 700 (516) | 2300 | 3026 | 4.0 (1.06) |
| 0.89 | 1680 (1238) | 750 (553) | 2400 | 2696 | 3.7 (0.98) |
| 1.00 | 1620 (1193) | 810 (597) | 2600 | 2600 | 3.7 (0.98) |
| 1.31 | 1390 (1024) | 910 (671) | 3000 | 2290 | 3.2 (0.85) |
| 1.48 | 1270 (936) | 940 (693) | 3200 | 2162 | 3.0 (0.79) |

AM 230 - MOMENT OF INERTIA DATA

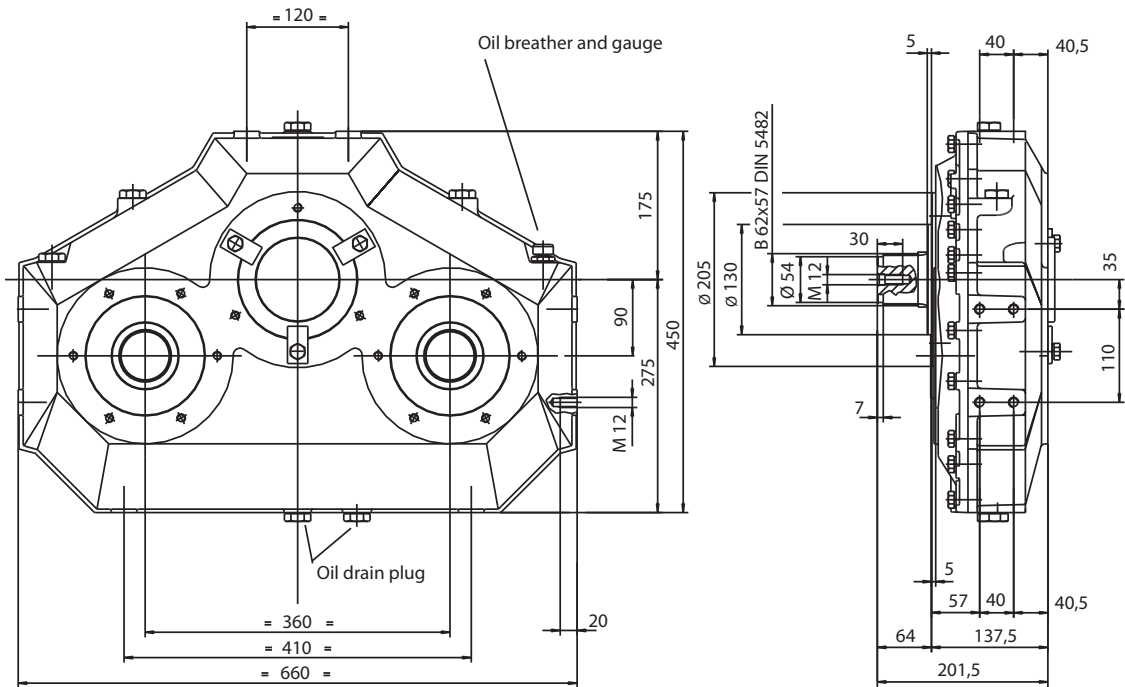
| RATIO:1 | B kg.m ² (lb-ff ²) | BD 290 kg.m ² (lb-ff ²) | BD 2200 kg.m ² (lb-ff ²) | BD 3300 kg.m ² (lb-ff ²) | BDS 290 kg.m ² (lb-ff ²) | BDS 2200 kg.m ² (lb-ff ²) |
|------------------|----------------------------------------------|---------------------------------------------------|----------------------------------------------------|----------------------------------------------------|----------------------------------------------------|-----------------------------------------------------|
| 0.51 | | | | | | |
| 0.58 | | | | | | |
| 0.67 | 0.2099 (4.98) | 0.660 (15.66) | 2.035 (48.29) | 2.760 (65.49) | 0.885 (21.00) | 3.210 (76.17) |
| 0.76 | 0.1840 (4.37) | 0.634 (15.04) | 2.009 (47.67) | 2.734 (64.88) | 0.859 (20.38) | 3.184 (75.56) |
| 1.00 | 0.1191 (2.83) | 0.569 (13.50) | 1.944 (46.13) | 2.669 (63.34) | 0.794 (18.84) | 3.119 (74.02) |
| 1.31 | 0.1082 (2.57) | 0.558 (13.25) | 1.933 (45.88) | 2.658 (63.08) | 0.783 (18.59) | 3.108 (73.76) |
| 1.48 | 0.1036 (2.46) | 0.554 (13.14) | 1.929 (45.77) | 2.654 (62.97) | 0.779 (18.48) | 3.104 (73.65) |

AM 230 BD - BDS - CLUTCH CHARACTERISTICS

| Clutch type | SAE size | Max input torque Nm | Max Speed n / min. | Power Kw |
|-------------|----------|------------------------|-----------------------|-------------|
| BD 290 | 1-2-3 | 880 | 2900 | 150 |
| BD 2200 | 1 | 1960 | 2400 | 230 |
| BD 3300 | 1 | 2940 | 2400 | 320 |
| BDS 290 | | 880 | 2900 | 150 |
| BDS 2200 | | 1960 | 2400 | 230 |
| BDS 3300 | | 2940 | 2400 | 320 |

AM 230 B

Basic Model - Installation Drawing



AM 230 BD 290

With two plate 11" clutch

AM 230 BD 2200

With two plate 14" clutch

AM 230 BD 3300

With three plate 14" clutch

AM 230 BDS 290

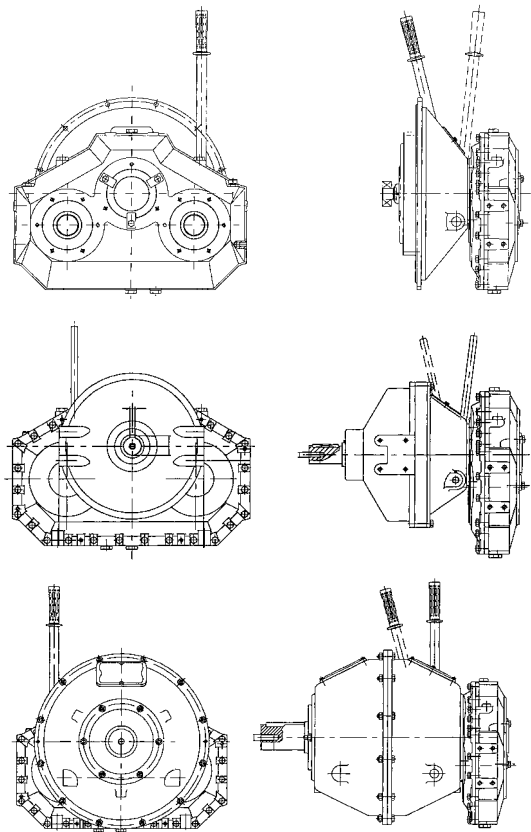
Independent mount with two plate 11" clutch

AM 230 BDS 2200

Independent mount with two plate 14" clutch

AM 230 BDS 3300

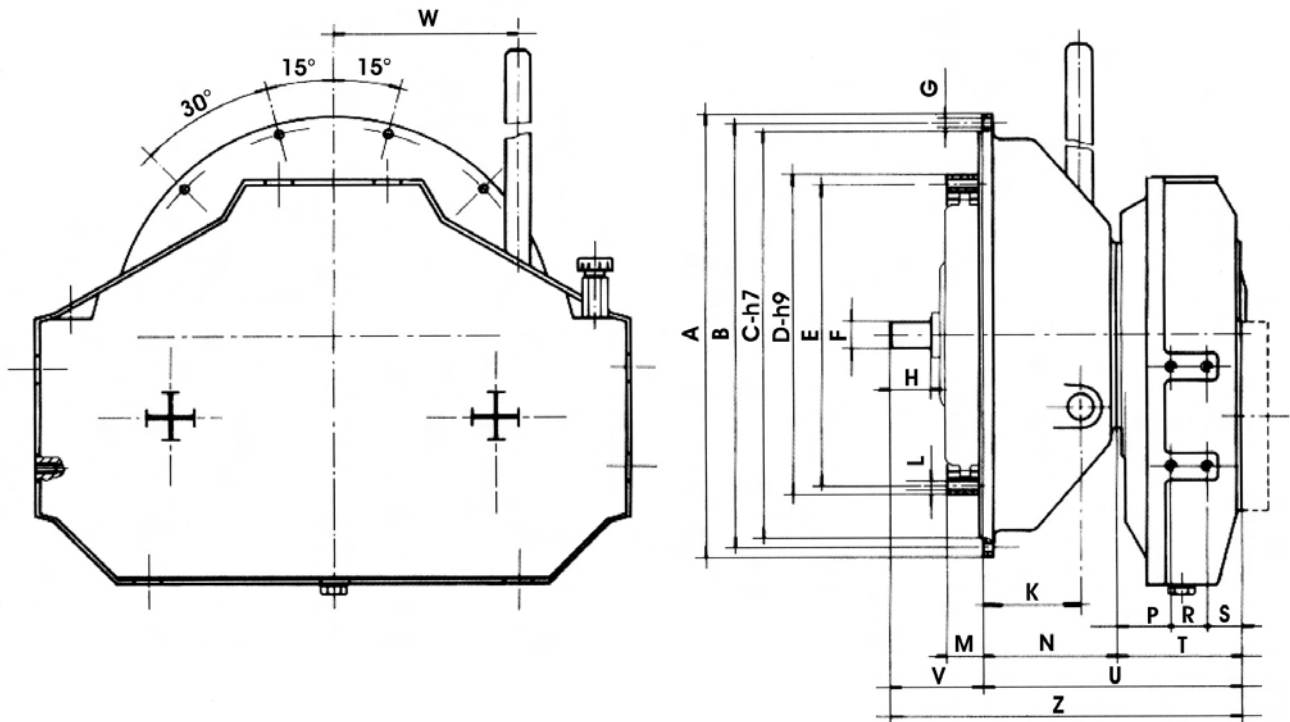
Independent mount with three plate 14" clutch



| MODEL | WEIGHT kg (lbs) |
|-----------------|--------------------|
| AM 230 B | 94 (207) |
| AM 230 BD 290 | 160 (352) |
| AM 230 BD 2200 | 227 (499) |
| AM 230 BD 3300 | 270 (594) |
| AM 230 BDS 290 | 187 (411) |
| AM 230 BDS 2200 | 337 (741) |
| AM 230 BDS 3300 | 361 (793) |

AM 230 BD

Installation Drawing

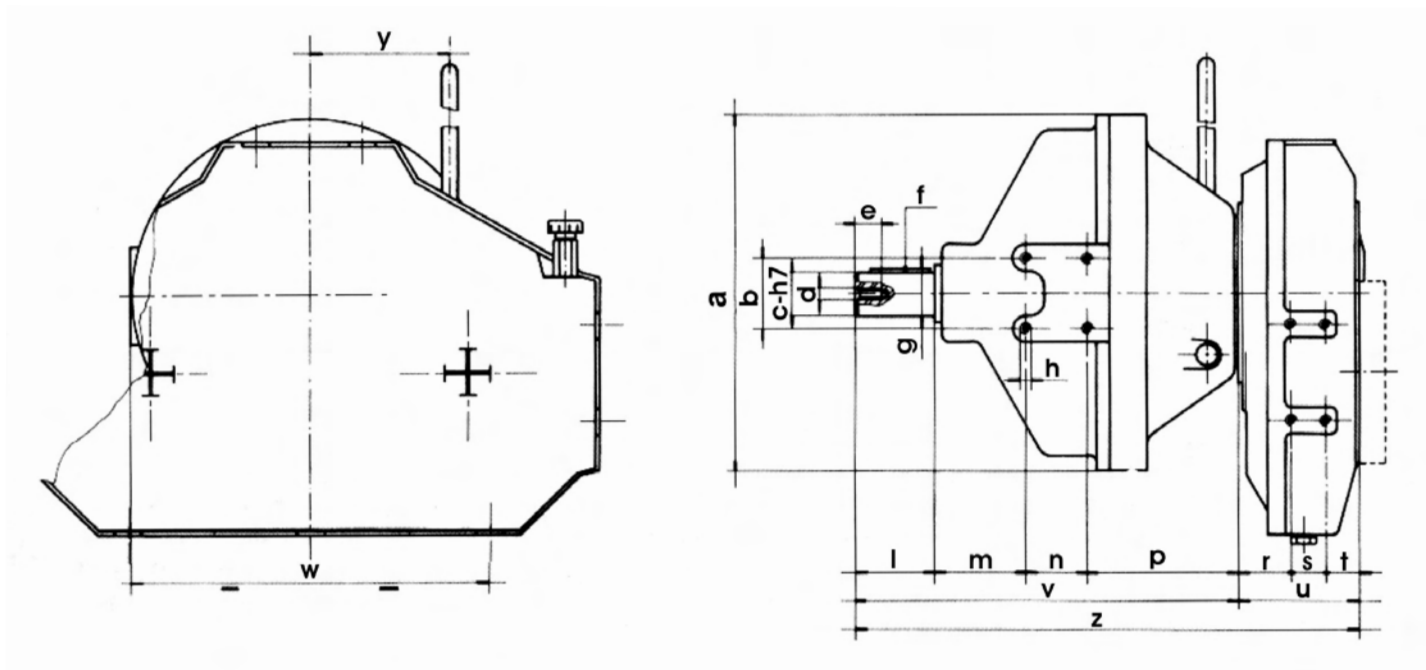


| Clutch type | D | E | F | H | L | M | N | P | R | S | T | U | V | Z | K | W |
|----------------|--------|--------|----|----|----------------------|------|-----|----|----|----|-----|-----|-----|-----|-----|-----|
| BD 290 | 352,42 | 333,37 | 30 | 37 | n. 8 holes Ø 10.5 | 39,7 | 147 | 57 | 40 | 40 | 137 | 284 | 100 | 384 | 78 | 160 |
| BD 2200 | 466,72 | 438,15 | 35 | 37 | n. 8 holes Ø 10.5 | 25.4 | 236 | 52 | 40 | 40 | 132 | 368 | 100 | 468 | 179 | 215 |
| BD 3300 | 466,72 | 438,15 | 35 | 37 | n. 8 holes Ø 10.5 | 25.4 | 264 | 52 | 40 | 40 | 132 | 396 | 100 | 496 | 207 | 215 |

| SAE | DIMENSIONS | | | |
|----------|------------|--------|--------|------------------|
| | A | B | C | G |
| 1 | 552 | 530,22 | 511,17 | n. 12 holes Ø 12 |
| 2 | 469 | 466.72 | 447,67 | n. 12 holes Ø 11 |
| 3 | 451 | 428.62 | 409,57 | n. 12 holes Ø 11 |

AM 230 BDS

Installation Drawing



| Clutch type | a | b | c | d | e | f | g | h | i | m | n | p | r | s | t |
|-----------------|-----|----|----|------|----|-----------|----|------|-----|-----|----|-----|----|----|----|
| BDS 290 | 403 | 80 | 50 | M 14 | 30 | 14x9x70 | 54 | M 10 | 90 | 104 | 70 | 172 | 57 | 40 | 40 |
| BDS 2200 | 552 | | 80 | M 20 | 45 | 24x14x120 | 87 | | 135 | | | | 52 | 40 | 40 |
| BDS 3300 | 552 | - | 80 | M 20 | 45 | 24x14x120 | 87 | | 35 | - | - | - | 52 | 40 | 40 |