

AM 220 PUMP DRIVE

Max. Input Power 355 kW

QUALITY IS STANDARD

- Cast iron housing
- Shaved gears
- Ball bearings
- Case-hardened shafts
- Viton seals on input shaft
- Output rotation opposite the direction of input rotation
- Gear ratios identical on all output
- Modular design



AM 220 - TECHNICAL DATA

Ratio:1	Max. input torque Nm (lbf-ft)	Max. output torque per pump pad Nm (lbf-ft)	Max. input speed n /min.	Max. output speed n /min.	Oil quantity lt (gal)
0.49	1470 (1083)	360 (265)	2400	4898	2.5 (0.66)
0.58	1410 (1040)	410 (302)	2500	4310	2.0 (0.53)
0.67	1350 (994)	450 (332)	2650	3955	1.8 (0.48)
0.77	1270 (936)	490 (361)	2850	3701	1.8 (0.48)
0.83	1200 (885)	500 (368)	3000	3448	1,4 (0,37)
1.00	1080 (796)	540 (398)	3200	3200	1.4 (0.37)
1.30	980 (722)	640 (472)	3600	2769	1.4 (0.37)
1.50	900 (663)	675 (498)	3950	2633	1.2 (0.32)

AM 220 - MOMENT OF INERTIA DATA

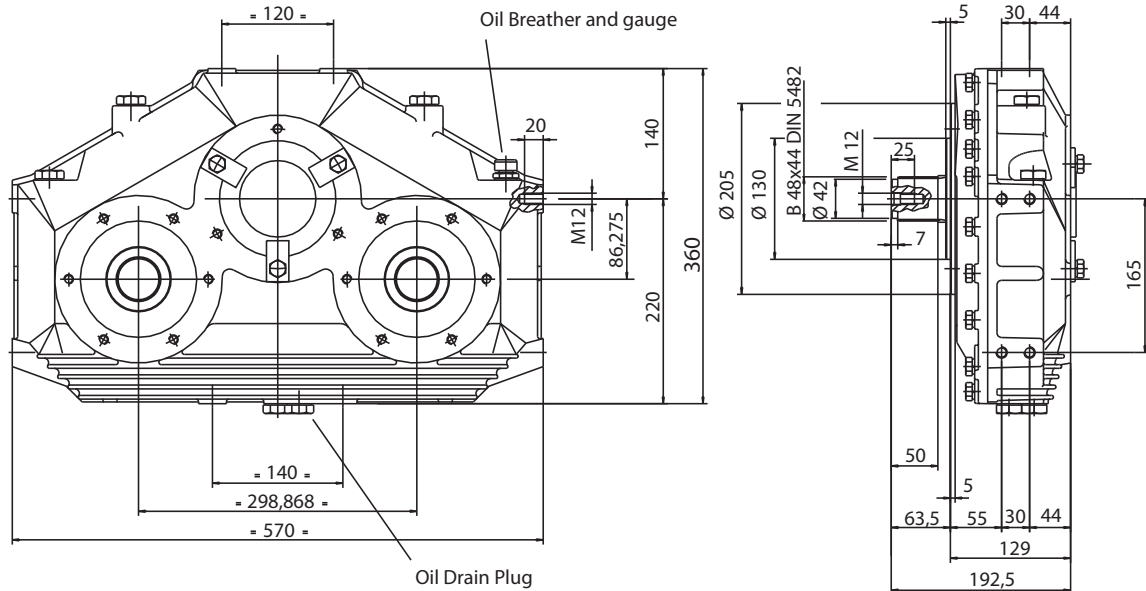
RATIO:1	B kg.m ² (lb-ff ²)	BD 130 kg.m ² (lb-ff ²)	BD 145 kg.m ² (lb-ff ²)	BD 290 kg.m ² (lb-ff ²)	BDS 130 kg.m ² (lb-ff ²)	BDS 145 kg.m ² (lb-ff ²)	BDS 290 kg.m ² (lb-ff ²)
0.49							
0.58							
0.67	0.0952 (2.26)	0.2327 (5.52)	0.358 (8.49)	0.545 (12.94)	0.345 (8.19)	0.533 (12.64)	0.770 (18.28)
0.77	0.0839 (1.99)	0.2214 (5.25)	0.346 (8.22)	0.540 (12.67)	0.334 (7.92)	0.521 (12.37)	0.759 (18.01)
1.00	0.0561 (1.33)	0.1936 (4.59)	0.319 (7.56)	0.506 (12.01)	0.306 (7.26)	0.494 (11.71)	0.731 (17.35)
1.30	0.0503 (1.19)	0.1878 (4.46)	0.313 (7.42)	0.500 (11.87)	0.300 (7.13)	0.488 (11.58)	0.725 (17.21)
1.50	0.0476 (1.13)	0.1851 (4.39)	0.310 (7.36)	0.498 (11.81)	0.298 (7.06)	0.485 (11.51)	0.723 (17.15)

AM 220 BD - BDS - CLUTCH CHARACTERISTICS

Clutch type	SAE size	Max input torque Nm	Max Speed n / min.	Power Kw
BD 130	3-4	330	3100	70
BD 145	3-4	450	3100	80
BD 290	1-2-3	880	2900	150
BDS 130	-	330	3100	70
BDS 145	-	450	3100	80
BDS 290	-	880	2900	150

AM 220 B

Basic Model - Installation Drawing



AM 220 BD 130

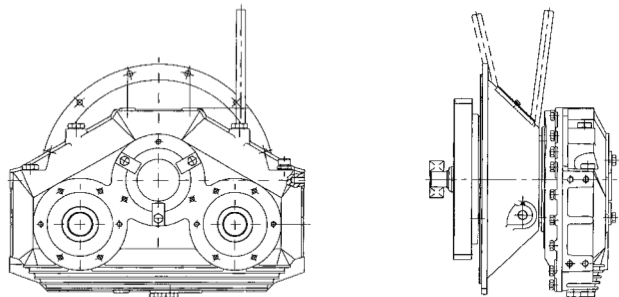
With one plate 10" clutch

AM 220 BD 145

With one plate 11" clutch

AM 220 BD 290

With two plate 11" clutch



AM 220 BDS 130

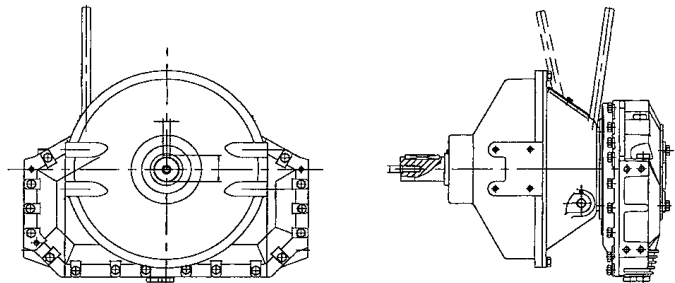
Independent mount with one plate 10" clutch

AM 220 BDS 145

Independent mount with one plate 11" clutch

AM 220 BDS 290

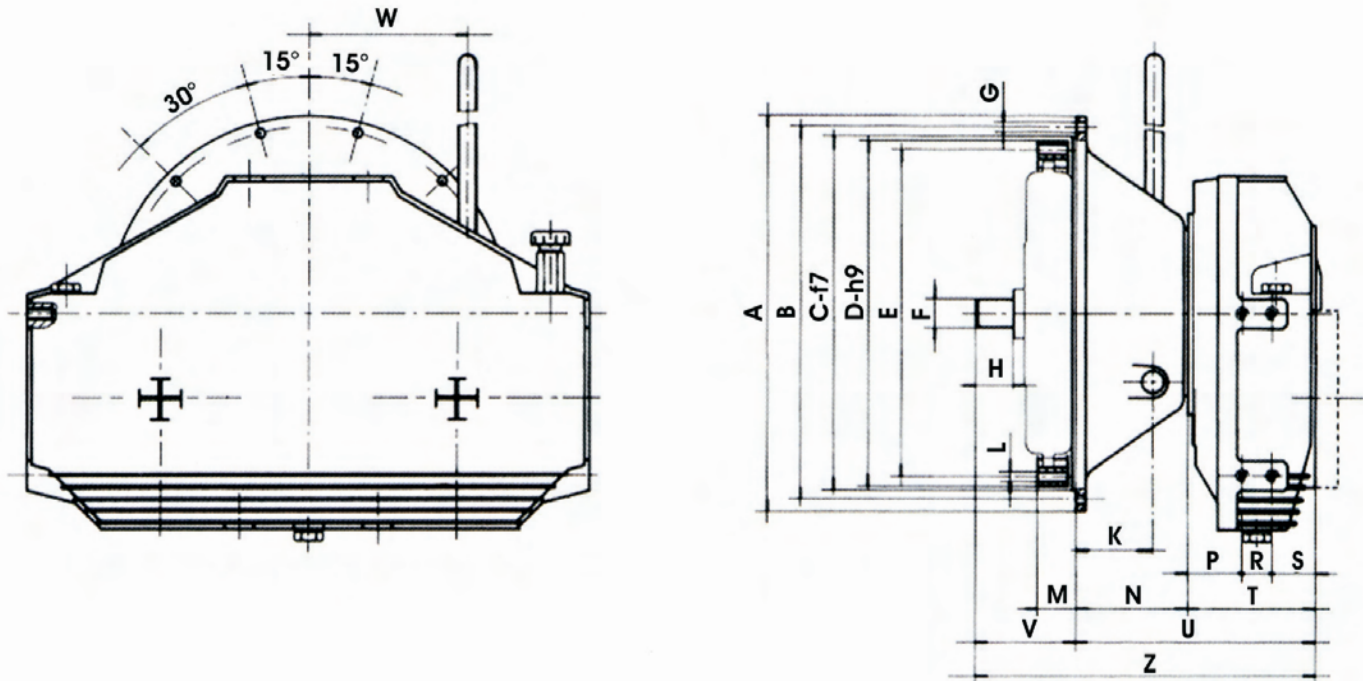
Independent mount with two plate 11" clutch



MODEL	WEIGHT kg (lbs)
AM 220 B	70 (154)
AM 220 BD 130	110 (243)
AM 220 BD 145	114 (251)
AM 220 BD 290	136 (300)
AM 220 BDS 130	141 (311)
AM 220 BDS 145	145 (320)
AM 220 BDS 290	163 (359)

AM 220 BD

Installation Drawing

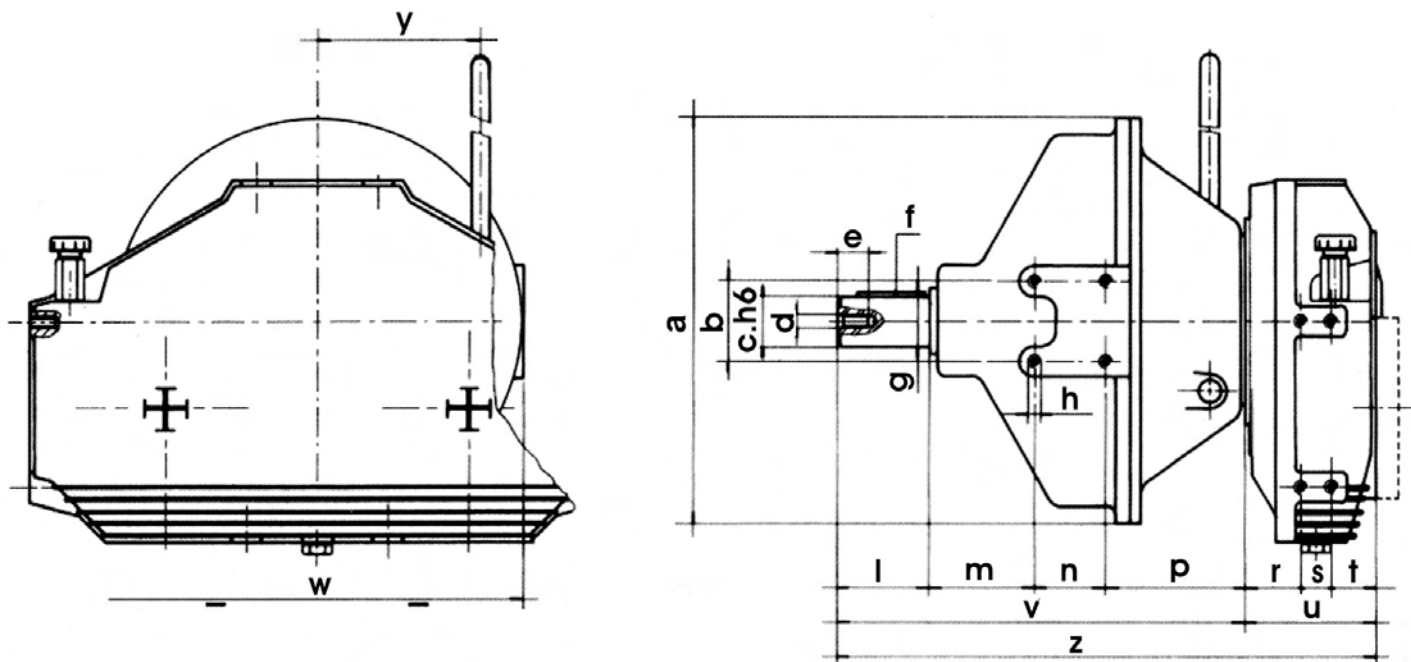


Clutch type	D	E	F	H	L	M	N	P	R	S	T	U	V	Z	K	W
BD 130	314.32	295.27	30	37	n. 8 holes Ø 10.5	54	114	55.5	30	43.5	129	243	100	343	78	160
BD 145	352.42	333.37	30	37	n. 8 holes Ø 10.5	39.7	114	55.5	30	43.5	129	243	100	343	78	160
BD 145	352.42	333.37	30	37	n. 8 holes Ø 10.5	39.7	147	55.5	30	43.5	129	243	100	343	111	205

SAE	DIMENSIONS			
	A	B	C	G
1	552	530.22	511.17	n. 12 holes Ø 12
2	489	466.72	447.67	n. 12 holes Ø 11
3	451	428.62	409.57	n. 12 holes Ø 11
4	403.22	381	361.95	n. 12 holes Ø 11

AM 220 BDS

Installation Drawing



Clutch type	a	b	c	d	e	f	g	h	i	m	n	p	r	s	t	u	v	z	w	y
BDS 130	403	80	50	M14	30	14x9x70	54	M10	90	104	70	139	55.5	30	43.5	403	513	160	404	160
BDS 145	403	80	50	M14	30	14x9x70	54	M10	90	104	70	139	55.5	30	43.5	403	513	160	404	160
BDS 290	403	80	50	M14	30	14x9x70	54	M10	90	104	70	139	55.5	30	43.5	403	513	160	404	160