

AM 216 PUMP DRIVE

Max. Input Power 205 kW

QUALITY IS STANDARD

- Cast iron housing
- Shaved gears
- Ball bearings
- Case-hardened shafts
- Viton seals on input shaft
- Output rotation opposite the direction of input rotation
- Gear ratios identical on all outputs
- Modular design



AM 216 - TECHNICAL DATA

Ratio:1	Max. input torque Nm (lbf-ft)	Max. output torque per pump pad Nm (lbf-ft)	Max input speed n /min.	Max output speed n /min.	Oil quantity lt (gal)
0.50	800 (590)	200 (148)	2400	4800	1.9 (0.50)
0.68	735 (541)	250 (184)	2650	3897	2.0 (0.53)
0.79	700 (516)	275 (203)	2850	3608	2.0 (0.53)
0.89	670 (494)	300 (221)	3200	3595	1.7 (0.45)
1.00	630 (464)	315 (232)	3200	3200	1.7 (0.45)
1.13	560 (412)	320 (236)	3300	2920	1.7 (0.45)
1.27	550 (405)	475 (350)	3600	2835	1.5 (0.40)
1.47	500 (369)	488 (360)	3950	2687	1.3 (0.34)

AM 216 - MOMENT OF INERTIA DATA

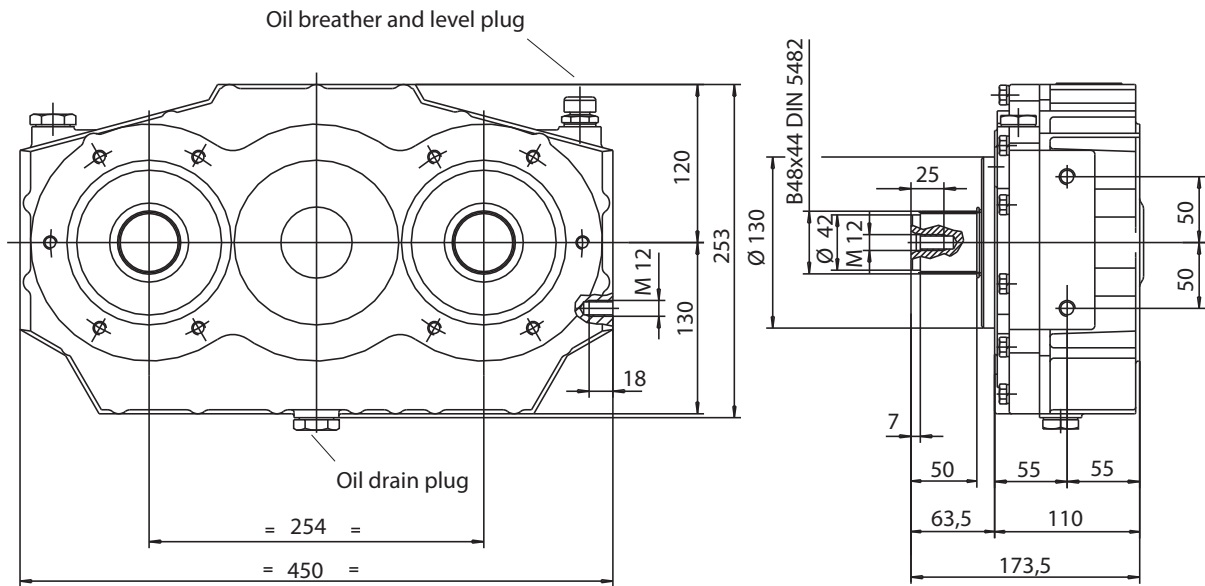
RATIO:1	B kg.m ² (lb-ff ²)	BD 130 kg.m ² (lb-ff ²)	BD 145 kg.m ² (lb-ff ²)	BDS 130 kg.m ² (lb-ff ²)	BDS 145 kg.m ² (lb-ff ²)
0.50					
0.68	0.0278 (0.66)	0.1653 (3.92)	0.2903 (6.89)	0.2778 (6.59)	0.4653 (11.04)
0.79	0.0248 (0.59)	0.1622 (3.85)	0.2873 (6.82)	0.2748 (6.52)	0.4623 (10.97)
1.00	0.0205 (0.49)	0.1580 (3.75)	0.2830 (6.72)	0.2705 (6.42)	0.4580 (10.87)
1.27	0.0167 (0.40)	0.1542 (3.66)	0.2792 (6.63)	0.2667 (6.33)	0.4542 (10.78)
1.47	0.0151 (0.36)	0.1526 (3.62)	0.2776 (6.59)	0.2651 (6.29)	0.4526 (10.74)

AM 216 BD - BDS - CLUTCH CHARACTERISTICS

Clutch type	SAE size	Max input torque Nm	Max Speed n / min.	Power Kw
BD 130	3-4	330	3100	70
BD 145	3-4	450	3100	80
BDS 130	-	330	3100	70
BDS 145	-	450	3100	80

AM 216 B

Basic Model - Installation Drawing

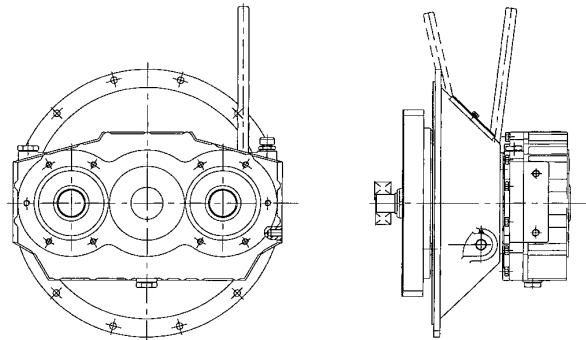


AM 216 BD 130

With one plate 10" clutch

AM 216 BD 145

With one plate 11" clutch

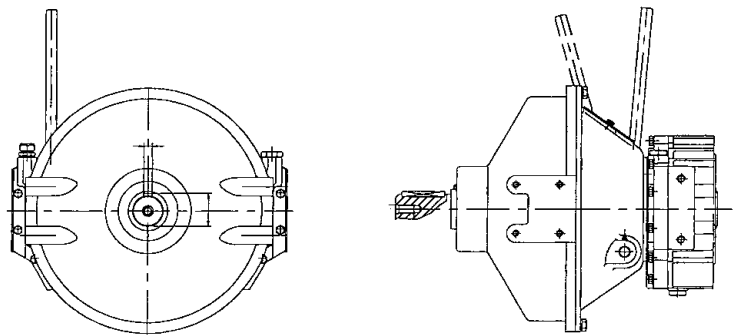


AM 216 BDS 130

Independent mount with one plate 10" clutch

AM 216 BDS 145

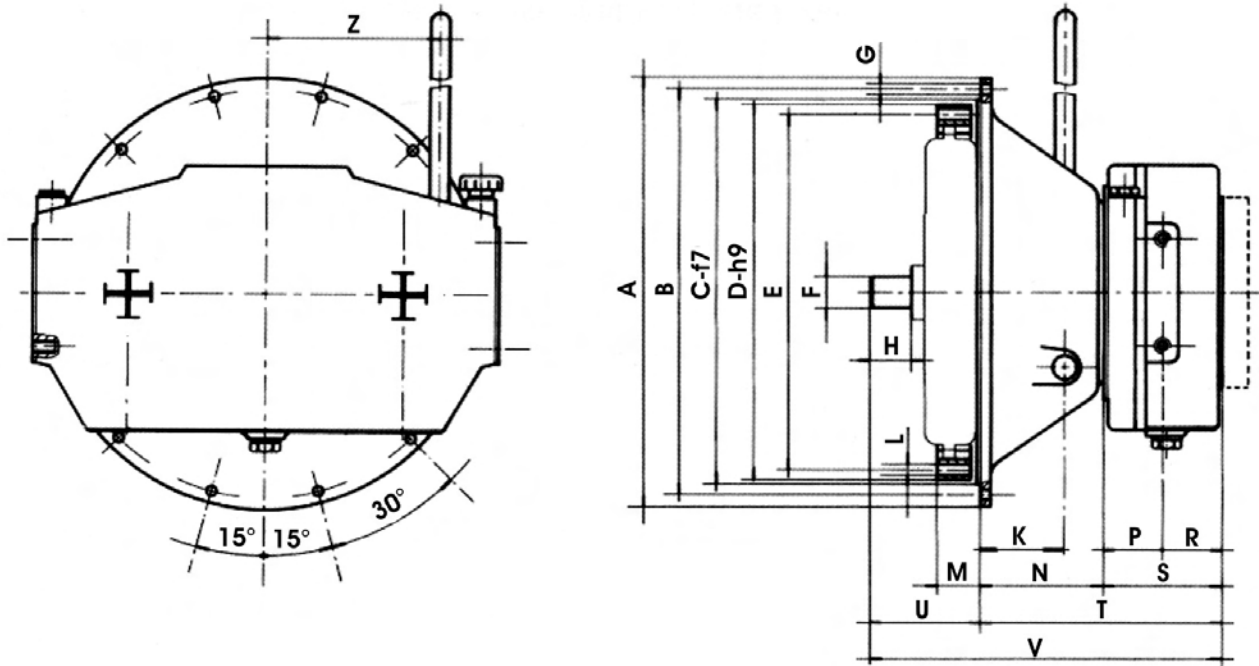
Independent mount with one plate 11" clutch



MODEL	WEIGHT kg (lb)
AM 216 B	36 (79)
AM 216 BD 130	76 (168)
AM 216 BD 145	80 (176)
AM 216 BDS 130	107 (236)
AM 216 BDS 145	111 (245)

AM 216 BD

Installation Drawing

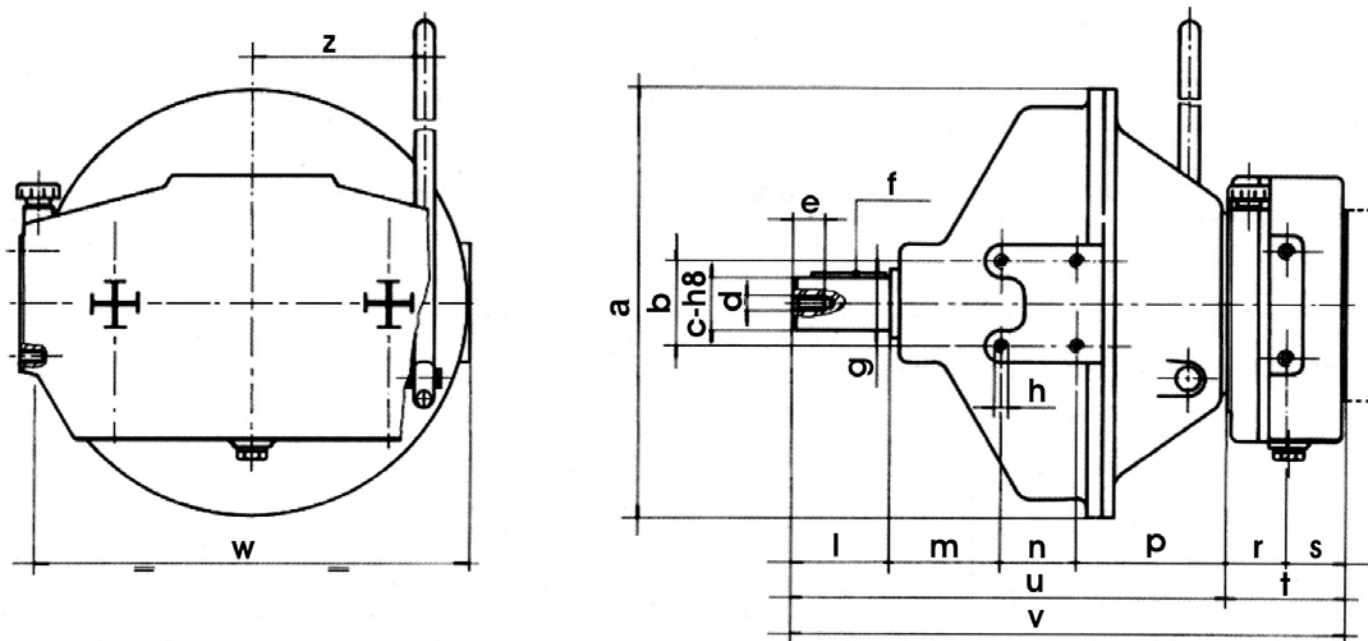


Clutch type	D	E	F	H	L	M	N	P	R	S	T	U	Z	K
BD 130	314.32	295.27	30	37	n. 8 holes Ø 10.5	54	114	55	110	225	1000	324	160	78
BD 145	352.42	333.37	30	37	n. 8 holes Ø 10.5	39.7	114	55	110	225	1000	324	160	78

SAE	DIMENSIONS			
	A	B	C	G
3	451	428.62	409.57	n. 12 holes Ø 11
4	403.22	381	361.95	n. 12 holes Ø 11

AM 216 BDS

Installation Drawing



Clutch type	a	b	c	d	e	f	g	h	l	m	n	p	r	s	t	u	v	z	w
BDS 130	403	80	50	M14	30	14x9x70	54	M10	90	104	70	139	55	55	110	403	513	160	404
BDS 145	403	80	50	M14	30	14x9x70	54	M10	90	104	70	139	55	55	110	403	513	160	404