

AM 110 PUMP DRIVE

Max. Input Power 180 kW

QUALITY IS STANDARD

- Cast iron housing
- Shaved gears
- Ball bearings
- Case-hardened shafts
- Viton seals on input shaft
- Output rotation opposite the direction of input rotation
- Gear ratios identical on all output
- Modular design



AM 110 - TECHNICAL DATA

Ratio:1	Max. input torque Nm (lbf-ft)	Max. output torque per pump pad Nm (lbf-ft)	Max. input speed n /min.	Oil quantity lt (gal)
0,49	735 (542)	360 (265)	2400	2.3 (0.61)
0,58	705 (520)	410 (302)	2500	2.1 (0.55)
0,67	675 (499)	450 (332)	2650	1.9 (0.50)
0,77	635 (468)	490 (361)	2850	1.8 (0.46)
0,83	600 (442)	510 (376)	3000	1.8 (0.46)
1,00	540 (398)	540 (398)	3200	1.6 (0.42)
1,30	490 (361)	640 (555)	3600	1.3 (0.34)
1,50	450 (332)	675 (565)	3950	1,1 (0,29)

AM 110 - MOMENT OF INERTIA DATA

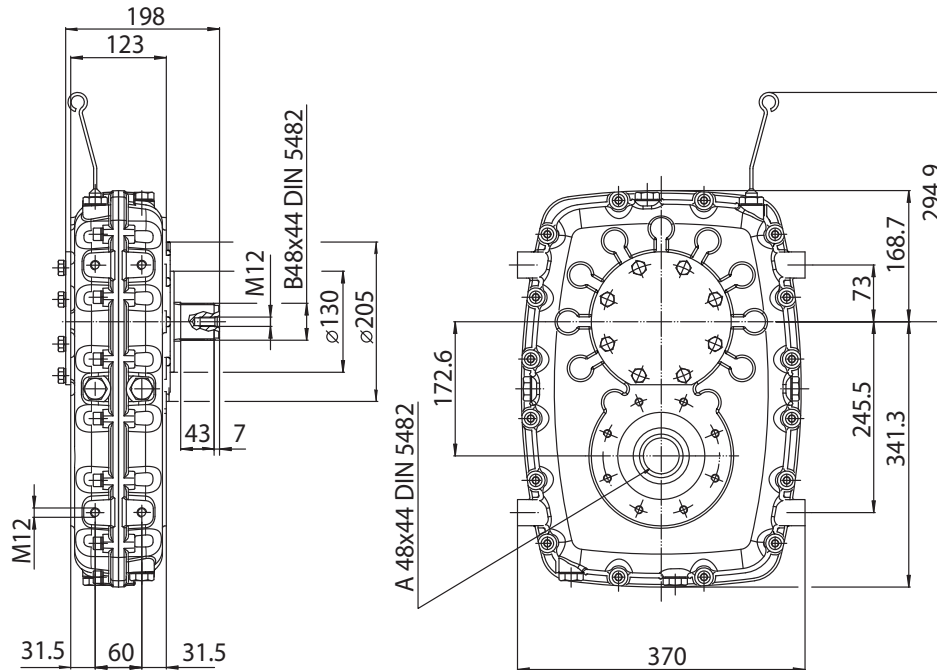
RATIO:1	B kg.m ² (lb-ff ²)	BD 130 kg.m ² (lb-ff ²)	BD 145 kg.m ² (lb-ff ²)	BD 290 kg.m ² (lb-ff ²)	BDS 130 kg.m ² (lb-ff ²)	BDS 145 kg.m ² (lb-ff ²)	BDS 290 kg.m ² (lb-ff ²)
0.49	0.0825 (1.96)	0.2200 (5.22)	0.345 (8.18)	0.532 (12.63)	0.332 (7.89)	0.520 (12.34)	0.757 (17.97)
0.58	0.0717 (1.70)	0.2092 (4.96)	0.334 (7.93)	0.522 (12.38)	0.322 (7.63)	0.509 (12.08)	0.747 (17.72)
0.67	0.0642 (1.52)	0.2017 (4.79)	0.327 (7.75)	0.514 (12.20)	0.314 (7.45)	0.502 (11.90)	0.739 (17.54)
0.77	0.0544 (1.29)	0.1919 (4.55)	0.317 (7.52)	0.504 (11.97)	0.304 (7.22)	0.492 (11.67)	0.729 (17.31)
1.00	0.0405 (0.96)	0.1780 (4.22)	0.303 (7.19)	0.490 (11.64)	0.290 (6.89)	0.478 (11.34)	0.715 (16.98)
1.30	0.0325 (0.77)	0.1700 (4.03)	0.295 (7.00)	0.482 (11.45)	0.282 (6.70)	0.470 (11.15)	0.707 (16.79)
1.50	0.0290 (0.69)	0.1665 (3.95)	0.291 (6.92)	0.479 (11.36)	0.279 (6.62)	0.466 (11.07)	0.704 (16.70)

AM 110 BD - BDS - CLUTCH CHARACTERISTICS

Clutch type	SAE size	Max Input Torque Nm	Max. Speed n/min	Power kW
BD 130	3-4	330	3100	70
BD 145	3-4	450	3100	80
BD 290	1-2-3	880	2900	150
BDS 130	-	330	3100	70
BDS 145	-	450	3100	80
BDS 290	-	880	2900	150

AM 110 B

Basic Model - Installation Drawing



AM 110 BD 130

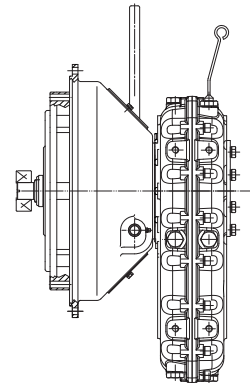
With one plate 10" clutch

AM 110 BD 145

With one plate 11" clutch

AM 110 BD 290

With two plate 11" clutch



AM 110 BDS 130

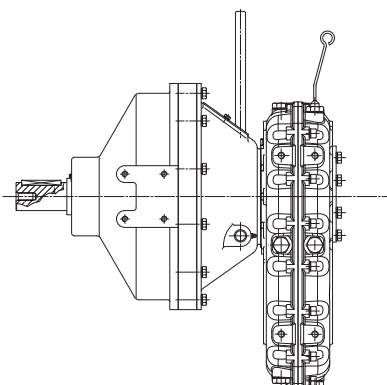
Independent mount with one plate 10" clutch

AM 110 BDS 145

Independent mount with one plate 11" clutch

AM 110 BDS 290

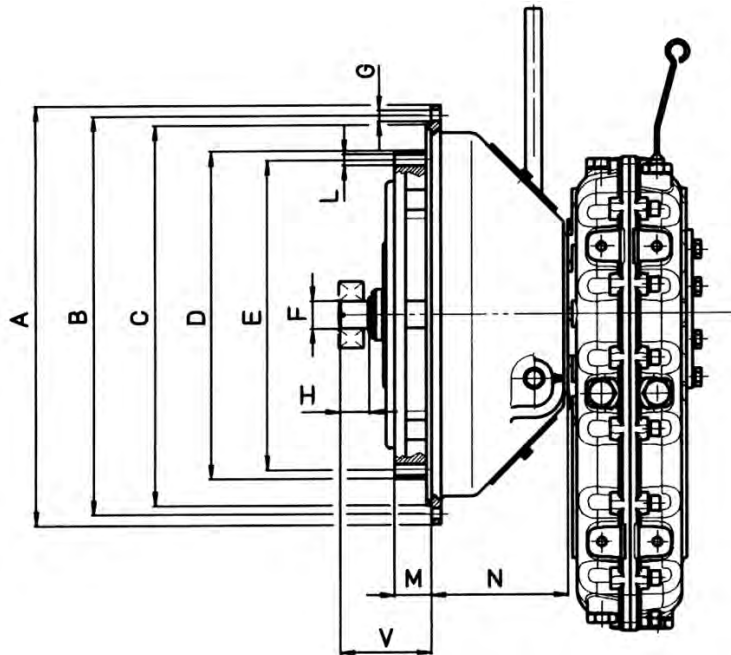
Independent mount with two plate 11" clutch



MODEL	WEIGHT kg (lbs)
AM 110 B	50 (110)
AM 110 BD 130	90 (198)
AM 110 BD 145	94 (207)
AM 110 BD 290	116 (256)
AM 110 BDS 130	121 (267)
AM 110 BDS 145	125 (276)
AM 110 BDS 290	143 (315)

AM 110 BD

Installation Drawing

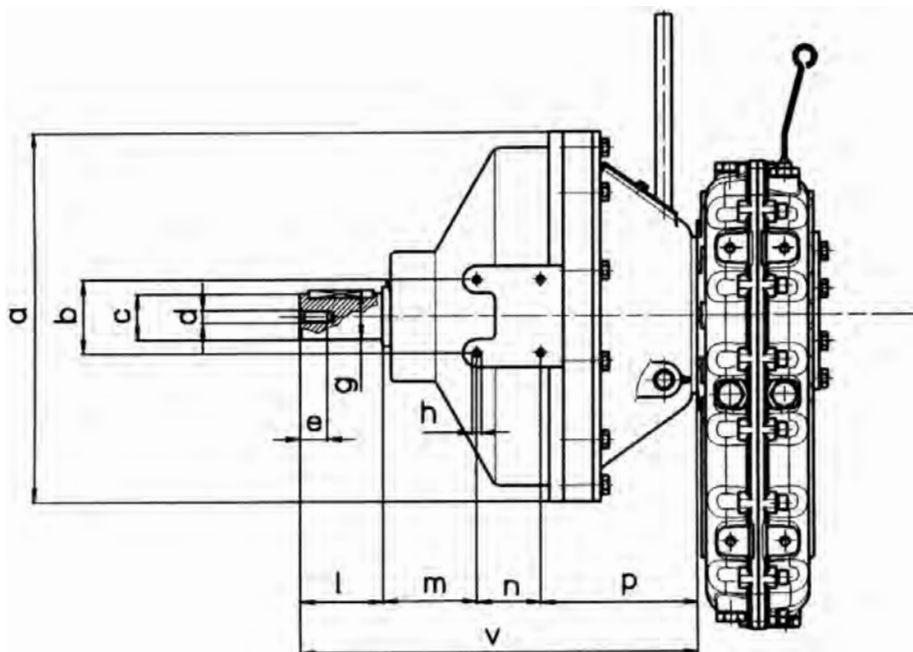


Clutch type	D	E	F	H	L	M	N	V
BD 130	314,32	295,27	30	37	n. 8 holes Ø 10.5	54	114	100
BD 145	352,42	333,37	30	37	n. 8 holes Ø 10.5	39,7	114	100
BD 290	352,42	333,37	30	37	n. 8 holes Ø 10.5	39,7	147	100

SAE	DIMENSIONS			
	A	B	C	G
1	552	530.22	511.17	n. 12 holes Ø 12
2	489	466.72	447.67	n. 12 holes Ø 11
3	451	428.62	409.57	n. 12 holes Ø 11
4	403.22	381	361.95	n. 12 holes Ø 11

AM 110 BDS

Installation Drawing



Clutch type	a	b	c	d	e	g	h	l	m	n	p	v
BDS 130	403	80	50	M 14	30	54	M 10	90	104	70	139	403
BDS 145	403	80	50	M 14	30	54	M 10	90	104	70	139	403
BDS 290	403	80	50	M 14	30	54	M 10	90	104	70	172	436