

SLEW DRIVES 700T Series



PRODUCT FEATURES

- No 6 sizes available for output torque up to 60.000 Nm
- Up to 3 stage planetary gear units
- Outputs with integral pinion shafts supported by wide span high load capacity bearings
- Robust housing with either low or raised mounting flange
- Inputs available for various kinds of electric or hydraulic motors
- Hydraulically released failsafe parking brake, spring operated, available in combination with hydraulic motors
- Dynamic and parking brake available for all-terrain and truck mounted cranes
- Gears and bearings rated for heavy duty applications
- Oil bath lubrication
- Available with hydraulic motors complete with pressure relief and anticavitation valves

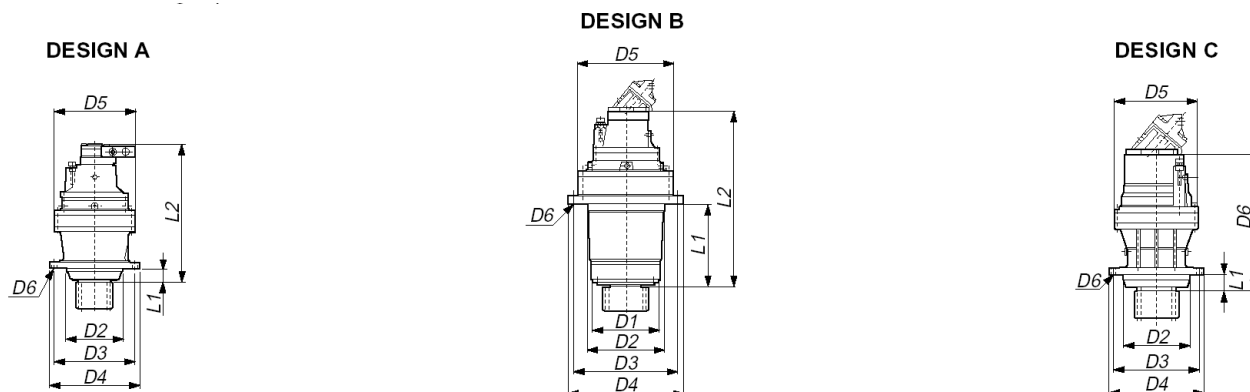
SLEW DRIVE 700T Series

Technical Informations

Type	Max. torque		Ratios 1:	Max. input speed min -1	Hydraulic motor drive (1)	Braking torque Nm	Min. opening pressure bar	Weight Kg	Design
	Excavator Nm	Crane Nm							
700 T1 F	1000	1200	3.48 - 7.2	500	LS	50 - 400	10 - 30	22	A
701 T1 F	1800	2400	3.48 - 7.2	500	LS	50 - 400	10 - 30	27	A
703 T2 F	2500	3500	12 - 44	3000	HS	50 - 400	10 - 30	45	A
705 T2 F	5000	6500	12 - 44	3000	HS	50 - 400	10 - 30	55	A
705 T2 L	5000	6500	12 - 44	3000	HS	50 - 400	10 - 30	80	B
706 T2 N	7500	10000	15 - 46	3000	HS	400 - 1000	20 - 30	95	B
707 T2 N	9000	15000	17 - 47	3000	HS	400 - 1000	20 - 30	140	B
709 T2 N	12000	20000	17 - 47	3000	HS	400 - 1000	20 - 30	165	B
711 T2 C	20000	35000	14 - 39	3000	HS	400 - 1000	20 - 30	300	B
713 T3 N	40000	55000	50 - 300	3000	HS	400 - 1000	20 - 30	500	B
715 T3 N	70000	80000	57 - 250	3000	HS	400 - 1000	20 - 30	650	B
756 T2 F	8000		28	3000	HS	200 - 300	8 - 15	90	C
757 T2 F	10000		25 - 34	3000	HS	300 - 500	8 - 15	120	C
759 T2 F	12500		28 - 32	3000	HS	400 - 700	8 - 15	150	C
711 T2 F	20000		14 - 39	3000	HS	400 - 1000	20 - 30	160	C

(1) LS = Low speed motor, HS = High speed motor

Dimensions



Type	Dimensions							
	D1	D2	D3	D4	D5	D6	L1	L2
700 T1 F		150	195	220	186	ø 12,5 n° 10	31	300
701 T1 F		150	195	220	186	ø 12,5 n° 10	31	325
703 T2 F		175	245	272	245	ø 18 n° 10	41	410
705 T2 F		175	245	272	245	ø 18 n° 10	41	440
705 T2 L	180	195	245	290	245	ø 13 n° 12	171	470
706 T2 N	200	250	325	360	292	ø 17 n° 10	225	560
707 T2 N	230	280	314	348	345	ø 17 n° 12	295	670
709 T2 N	250	280	380	420	345	ø 17 n° 12	295	720
711 T2 C	300	425	460	500	428	ø 22 n° 12	345	735
713 T3 N	340	400	510	560	445	ø 22 n° 24	420	1030
715 T3 N	370	470	600	640	542	ø 22 n° 24	465	1250
756 T2 F		230	335	365	300	ø 17 n° 14	55	380
757 T2 F		240	335	365	300	ø 17 n° 14	60	500
759 T2 F		280	385	420	345	ø 22 n° 14	60	540
711 T2 F		320	500	560	425	ø 22 n° 18	70	750

For further information please ask for cat. HT 08/B/01B/89

All information are given without engagement.

Hansa - TMP cannot accept responsibility for possible error in catalogues, brochures or other printed material.

Hansa - TMP reserves the right to modify its products without notice.