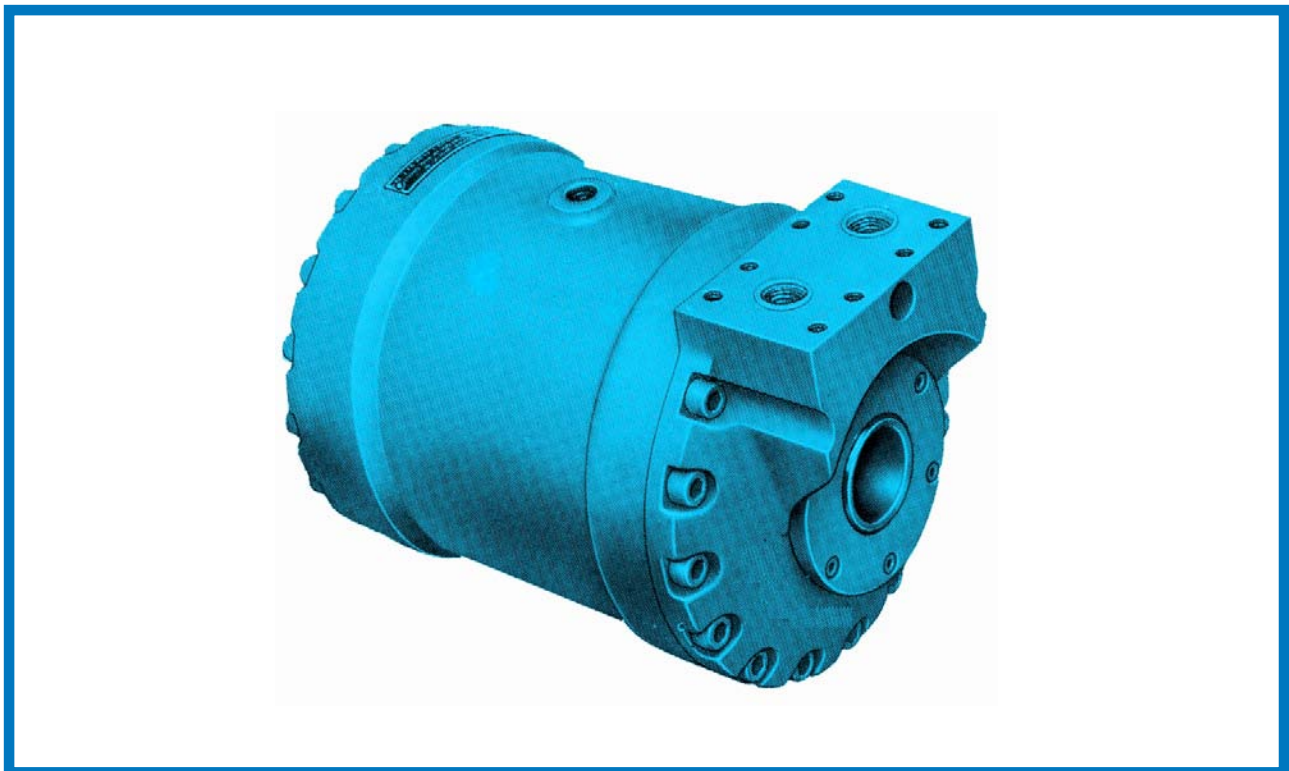


## HOLLOW SHAFT Fixed Displacement Axial Piston Motors Series KF



### PRODUCT FEATURES

KF hydraulic motors are axial-piston low speed fixed displacement type.

The speed range is larger than conventional low-speed motors.

The torque supplied is steady and directly proportional to the operating pressure, irrespective of the rotation speed.

KF motors can be started under load and can operate also at very low speed.

The steady torque is the result of the high number of operating pistons.

The high volumetric efficiency makes it possible to exploit the full installed power, obtaining remarkable saving in energy costs.

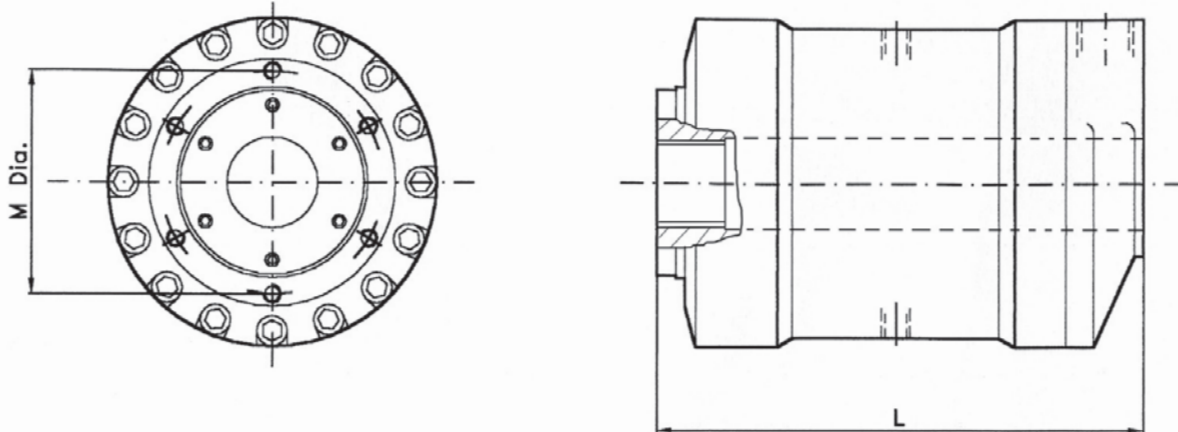
Two versions are available : keyed shaft and hollow through shaft.

The hollow shaft version offers fast cost saving connections.

KF motors are used in a variety of applications, wherever reliable, noiseless and high efficiency motor is required, including the hardest working conditions.

## HOLLOW SHAFT Fixed Displacement Axial Piston Motors Serie KF

### Technical Informations



\* time 0,6 sec.

KF Motor type	Displacement (cc/rev)	L	M	Max cont. pressure (bar)	Peak* pressure (bar)	Torque at 210 bar (daNm)	Speed (Rpm)
KF 80	83	231	118	210	250	27	5-1000
KF 100	112	231	118	210	250	37	5-1000
KF 150	141	231	132	210	250	47	5-1000
KF 200	219	286	132	210	250	73	2- 900
KF 300	292	286	150	210	250	97	2 -900
KF 450	444	340	-	210	250	148	2- 800
KF 700	679	420	-	210	250	227	2- 700
KF 1100	1103	502	225	210	250	368	1- 400
KF 1450	1448	502	-	210	250	484	1- 400
KF 2000	1950	575	270	210	250	652	1- 300
KF 2500	2470	592	300	210	250	825	1- 250
KF 5000	4750	728	420	210	250	1588	1- 150
KF 6200	6208	728	420	210	250	2075	1- 150

For further information please ask for cat. HT 17 / A / 300